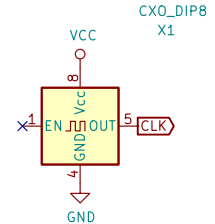
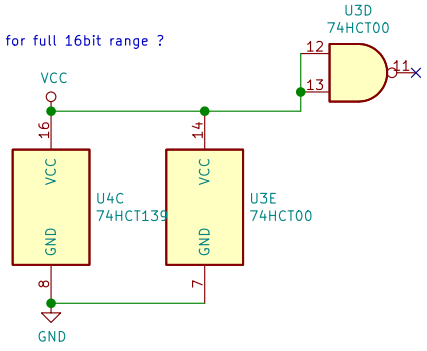
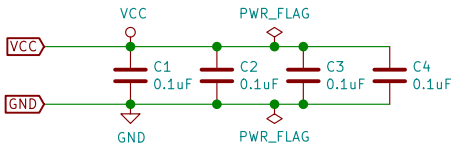


0.2 Corrected footprint of U4

TODO  
Design MMU companion  
Do we want to include A15 in U4B or just switch entirely I/O v Memory for full 16bit range ?  
See if we can use SCLK on P36 with Tout to do a sick SPI hack or two



Sheet: /		File: z86c91.sch	
<b>Title:</b>			
Size: A4	Date:		
KiCad E.D.A. kicad 5.1.5-1.fc31	Rev:	Id: 1/1	