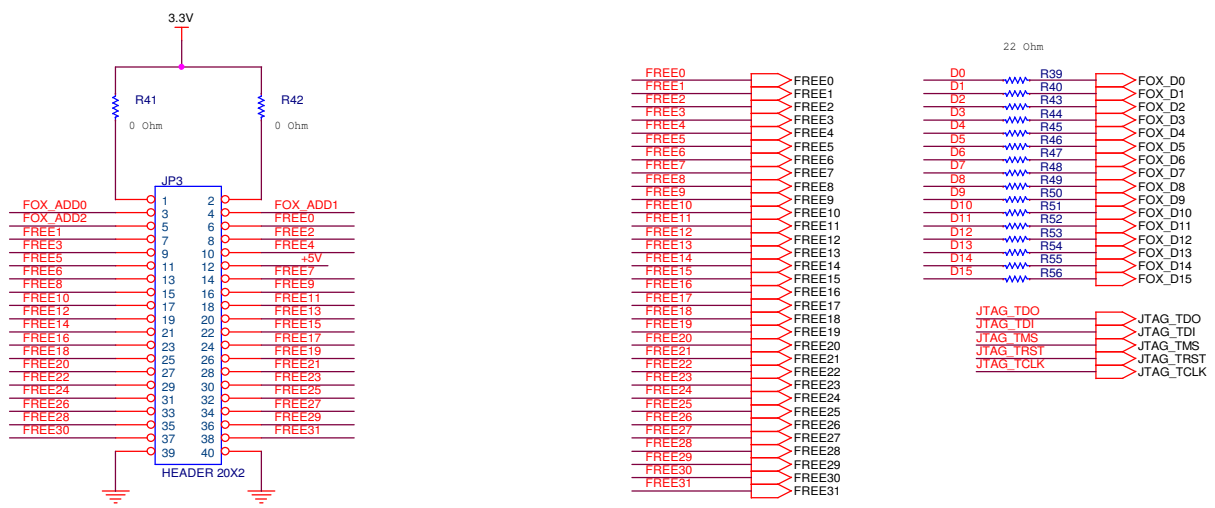


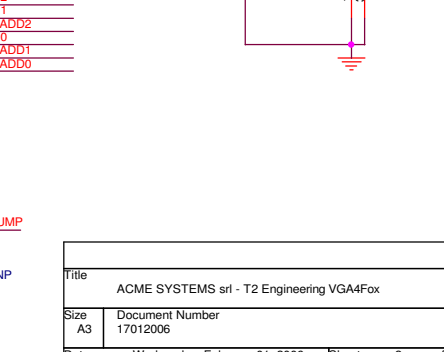
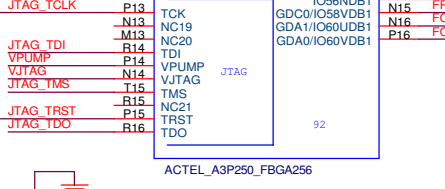
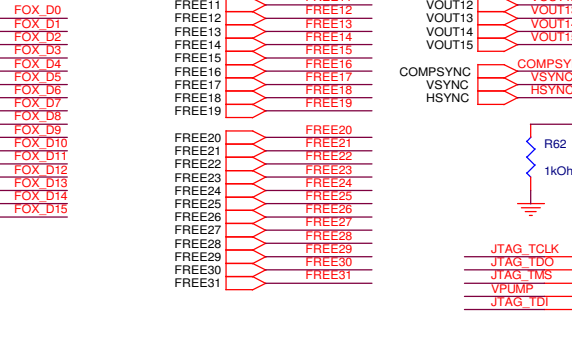
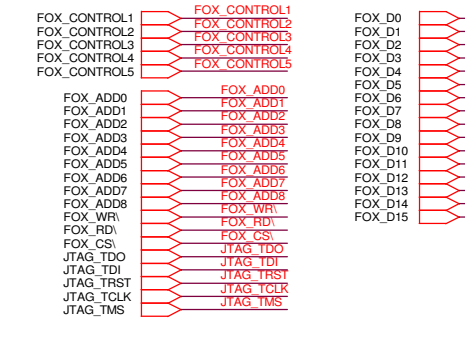
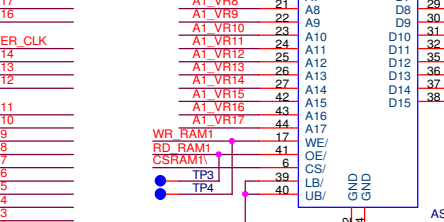
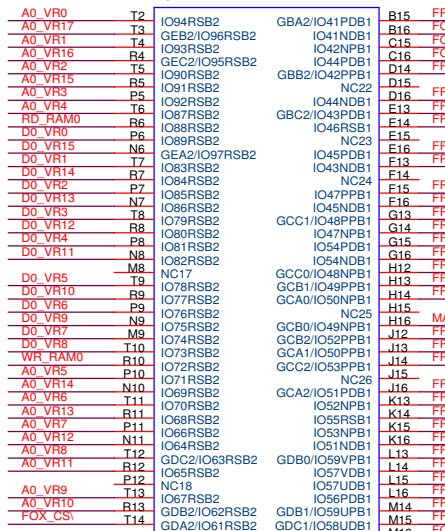
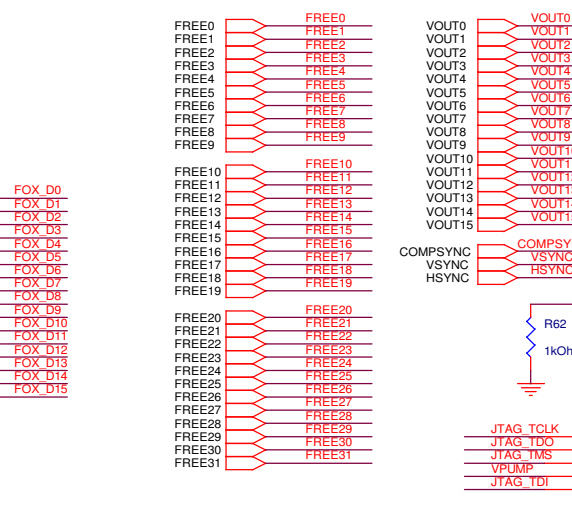
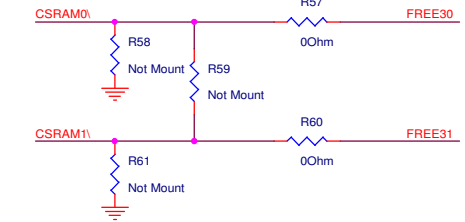
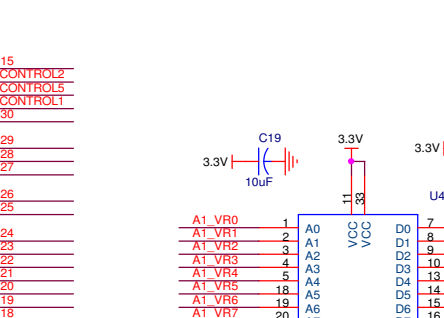
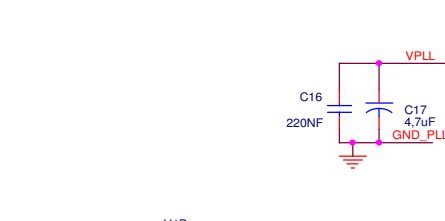
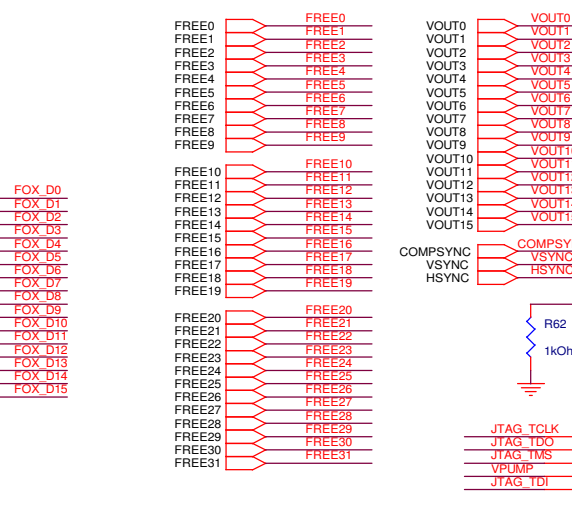
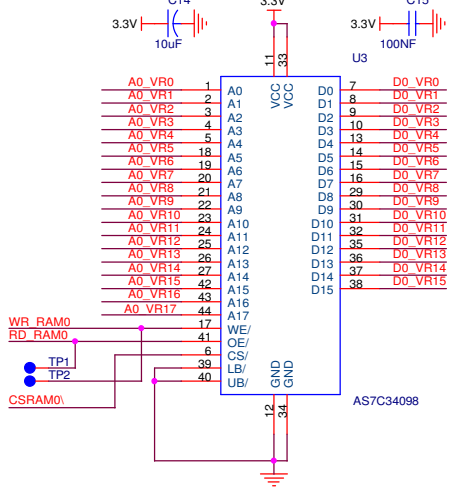
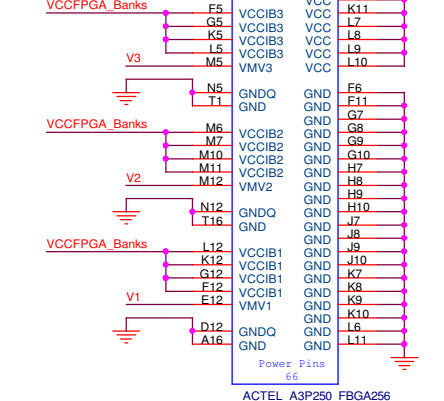
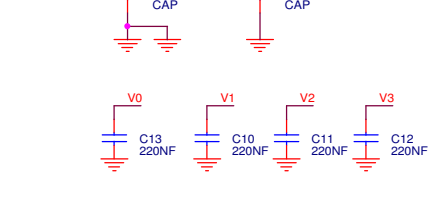
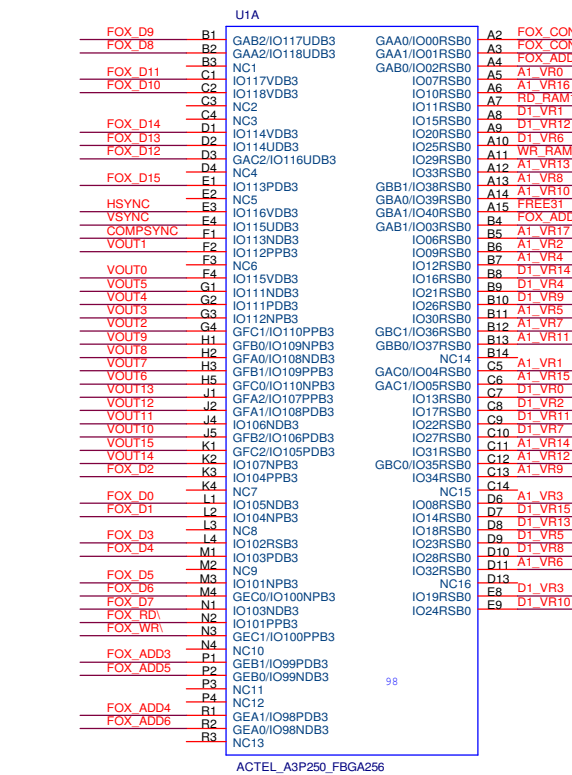
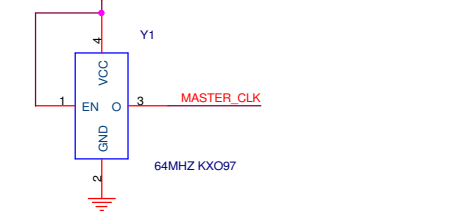
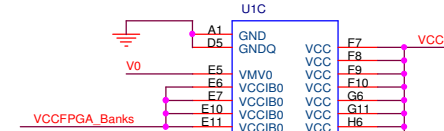
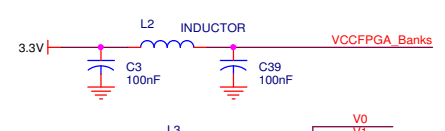
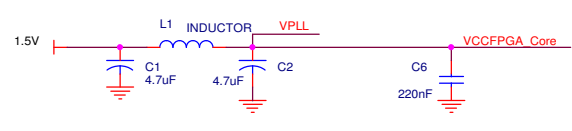
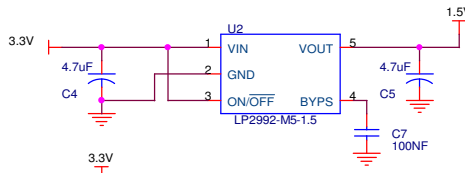
La scheda Fox va schiena a schiena con questa scheda quindi i connettori J6 e J7 sono speculari rispetto agli schemi della Fox.



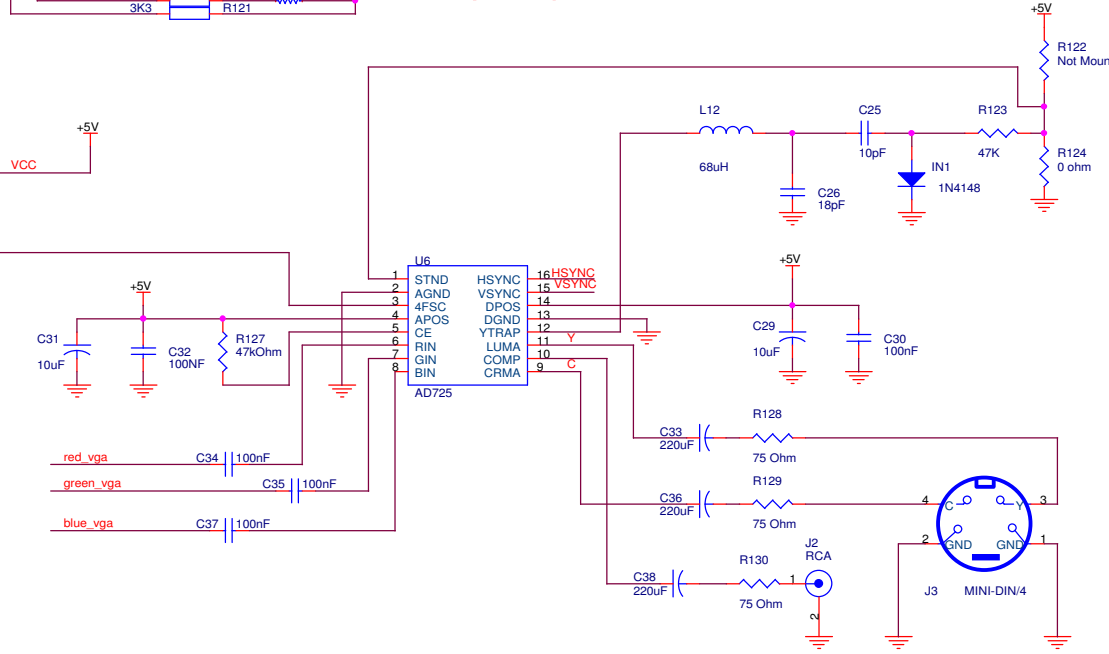
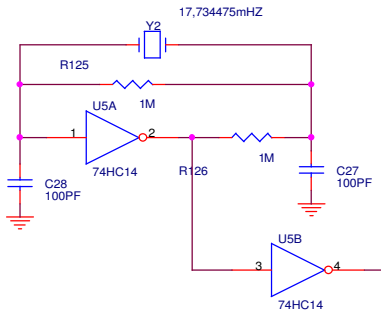
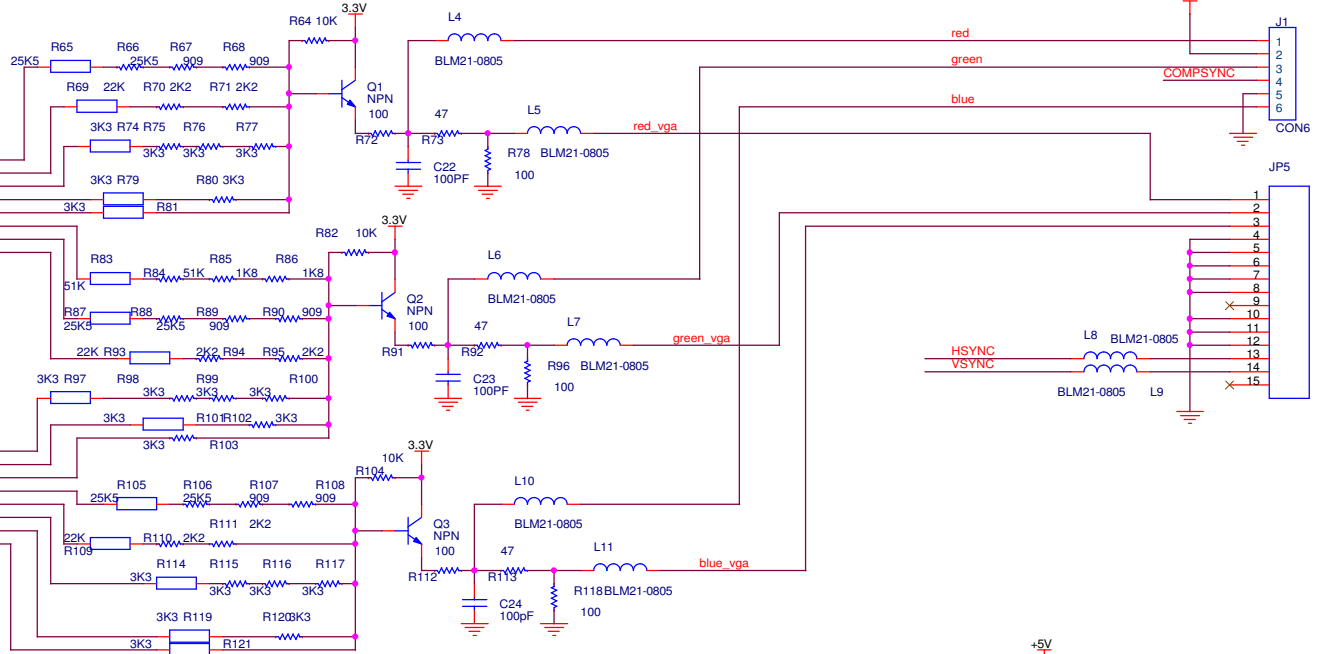
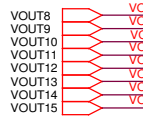
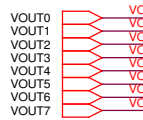
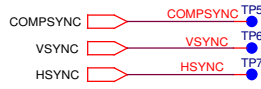
J6 and J7 correspond to Fox board top view

The power supplies sources are explicated: beware! +3.3V max 500 mA

Title		ACME Systems srl - T2 Engineering VGA4FOX	
Size	A3	Document Number	17012006
Date:	Wednesday, February 01, 2006	Sheet	1 of 1



Title	ACME SYSTEMS srl - T2 Engineering VGA4Fox
Size	A3
Document Number	17012006
Date:	Wednesday, February 01, 2006
Sheet	2 of 2



Title		ACME Systems srl T2 Engineering VGA4FOX
Size	A3	
Document Number		17012006
Date:	Wednesday, February 01, 2006	Sheet 3 of 3