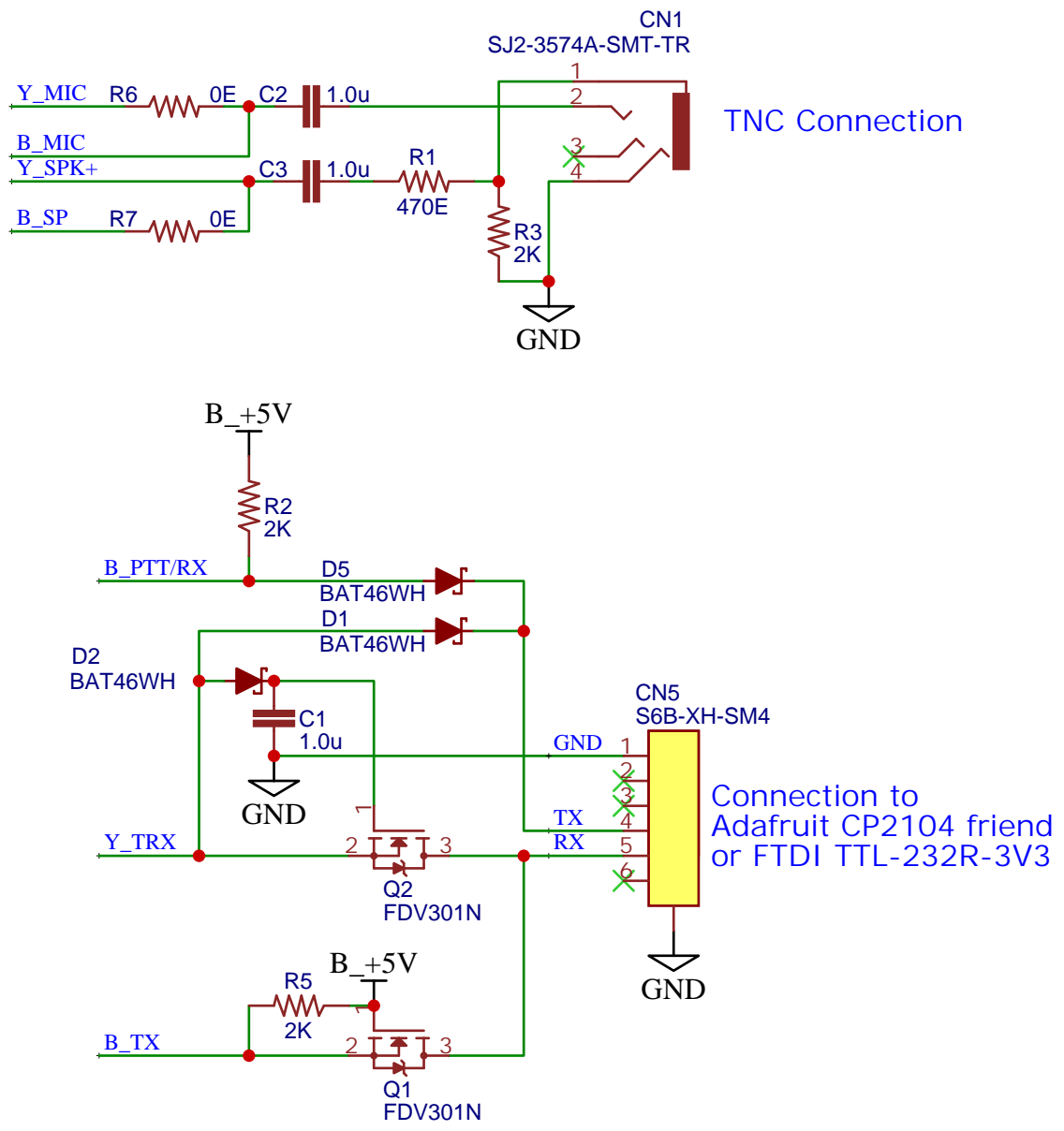
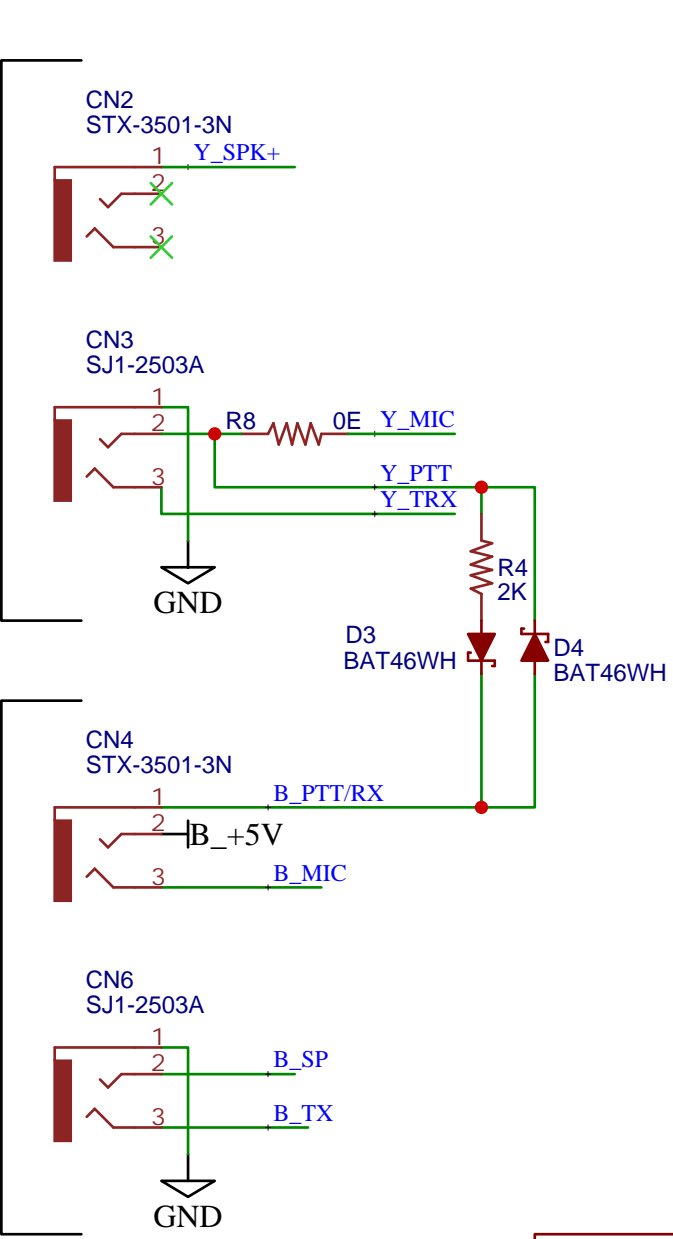


Yaesu FT-65

Baofeng

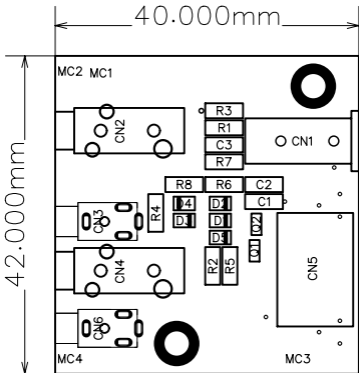


TNC Connection

Connection to
Adafruit CP2104 friend
or FTDI TTL-232R-3V3



TITLE: Yaesu FT-65 / Baofeng UV5R interface		REV: 1.0
Company: Private		Sheet: 1/1
Date: 2020-02-24	Drawn By: LieBtrau	



BOM_FT-65 interface_2020-05-17_17-14-44

	A	B	C	D	E	F	G	H	I	J	K
1	ID	Name	Designator	Footprint	Quantity	Manufacturer Part	Manufacturer	Supplier	Supplier Part	Digi-Key	LCSC
2	1	SJ1-2503A	CN3,CN6	CN_BARRELAUDIO_SJ1-2503A	2	SJ1-2503A	CUI Devices	Digi-Key	CP1-2503A-ND		
3	2	2K	R3,R4,R2,R5	RE_1206	4			Digi-Key	311-2.00KFRCT-ND		
4	3	BAT46WH	D3,D4,D2,D1,D5	DI_SOD123W	5			LCSC	C127989	1727-7326-1-ND	
5	4	1.0u	C1,C2,C3	CA_1206	3			Digi-Key	399-1254-1-ND		
6	5	SJ2-3574A-SMT-TR	CN1	CN_BARRELAUDIO_SJ2-3574A_SMT_TR	1	SJ2-3574A-SMT-TR	CUI Devices	Digi-Key	CP-SJ2-3574A-SMT-CT-ND		
7	6	470E	R1	RE_1206	1			Digi-Key	311-470FRCT-ND		
8	7	0E	R6,R7,R8	RE_1206	3			Digi-Key	RC1206JR-070RL		C104920
9	8	FDV301N	Q1,Q2	SC_SOT23-3	2			LCSC	C15310		
10	9	S6B-XH-SM4-TB(LF)(SN)	CN5	CN_HDR_1X6_90D_P25_JST_S6B-XH-SM4	1	S6B-XH-SM4-TB(LF)(SN)	JST Sales America Inc.	Digi-Key	455-2264-1-ND		
11	10	STX-3501-3N	CN2,CN4	CN_BARRELAUDIO_STX-3501-3N	2	SJ1-2503A	CUI Devices	Digi-Key	CP1-2503A-ND		