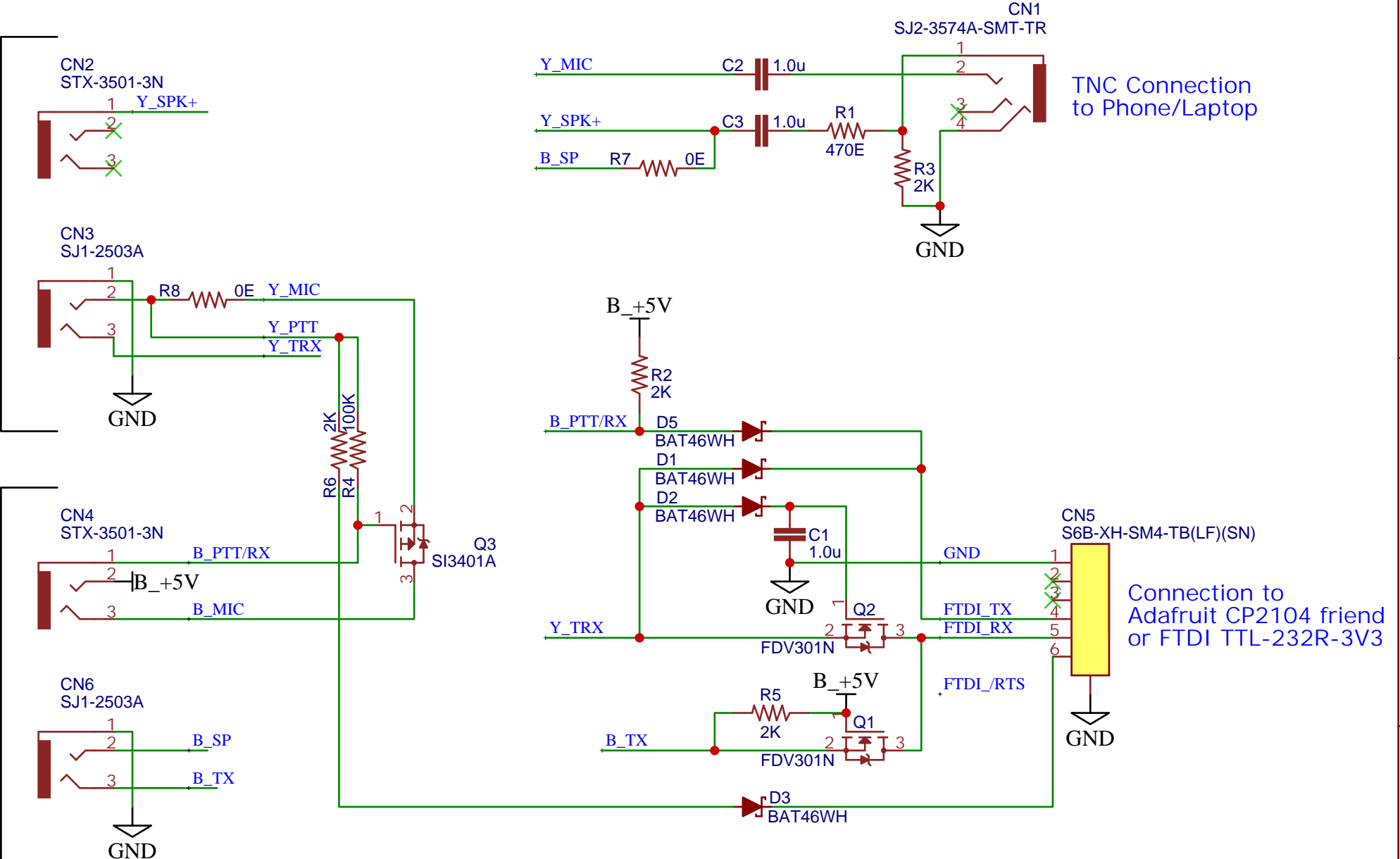


Yaesu FT-65 (7.62mm |-|)

Baofeng (11mm |-|)



TNC Connection to Phone/Laptop

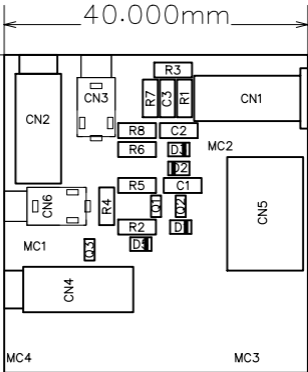
Connection to Adafruit CP2104 friend or FTDI TTL-232R-3V3



TITLE: Yaesu FT-65 / Baofeng UV5R interface		REV: 2.0
Company: Private		Sheet: 1/1
Date: 2020-02-24	Drawn By: LieBtrau	

40.000mm

42.000mm



# BOM

ID	Name	Designator	Footprint	Quantity	BOM_Supplier	BOM_Supplier Part
1	SJ1-2503A	CN3,CN6	CN_BARRELAUDIO_SJ1-2503A	2	Digi-Key	CP1-2503A-ND
2	2K	R3,R2,R5,R6	RE_1206	4	Digi-Key	311-2.00KFRCT-ND
3	BAT46WH	D2,D1,D5,D3	DI_SOD123W	4	LCSC	C127989
4	1.0u	C1,C2,C3	CA_1206	3	Digi-Key	399-1254-1-ND
5	100K	R4	RE_1206	1	Digi-Key	311-100KFRCT-ND
6	SI3401A	Q3	SC_SOT23-3	1	LCSC	C15127
7	SJ2-3574A-SMT-TR	CN1	CN_BARRELAUDIO_SJ2-3574A_SMT_TR	1	Digi-Key	CP-SJ2-3574A-SMT-CT-ND
8	470E	R1	RE_1206	1	Digi-Key	311-470FRCT-ND
9	0E	R7,R8	RE_1206	2	Digi-Key	RC1206JR-070RL
10	FDV301N	Q1,Q2	SC_SOT23-3	2	LCSC	C15310
11	S6B-XH-SM4-TB(LF)(SN)	CN5	CN_HDR_1X6_90D_P25_JST_S6B-XH-SM4	1	Digi-Key	455-2264-1-ND
12	STX-3501-3N	CN2,CN4	CN_BARRELAUDIO_STX-3501-3N	2	Digi-Key	2092-STX-3501-3N-ND