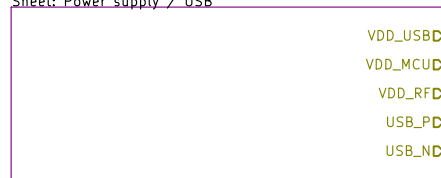
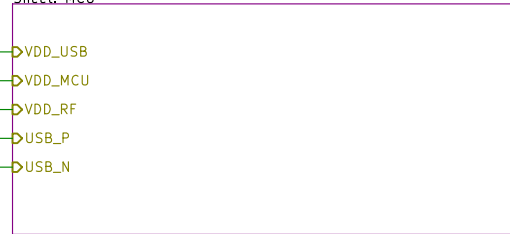


Sheet: Power_supply / USB



File: power_supply.sch

Sheet: MCU



File: MCU.sch

<https://hackaday.io/project/171082-tsensord>

CC BY 4.0

Michael Grand

Sheet: /

File: TSens.sch

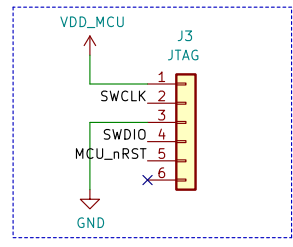
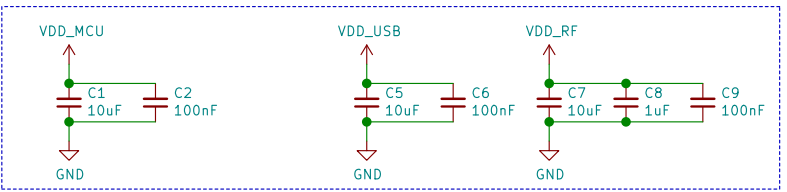
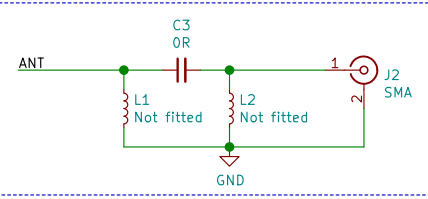
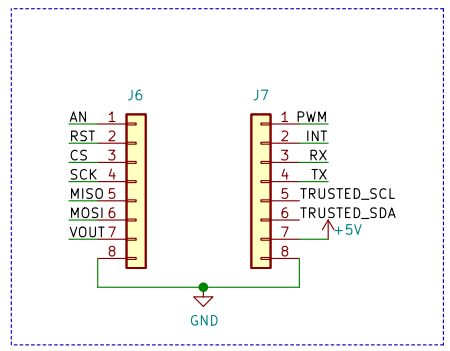
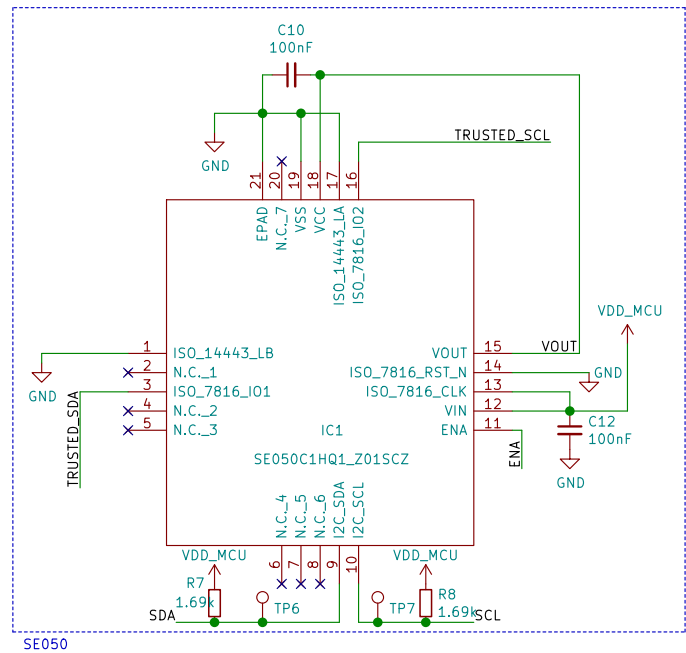
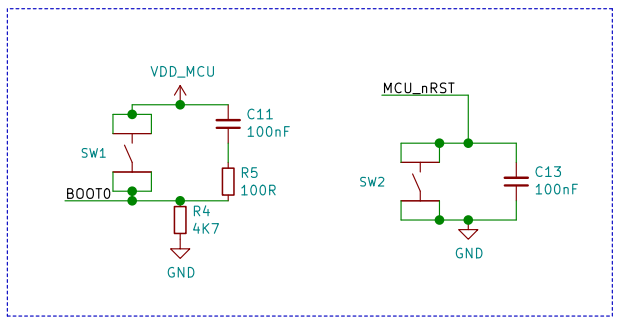
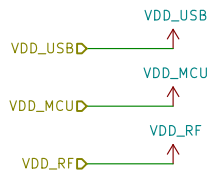
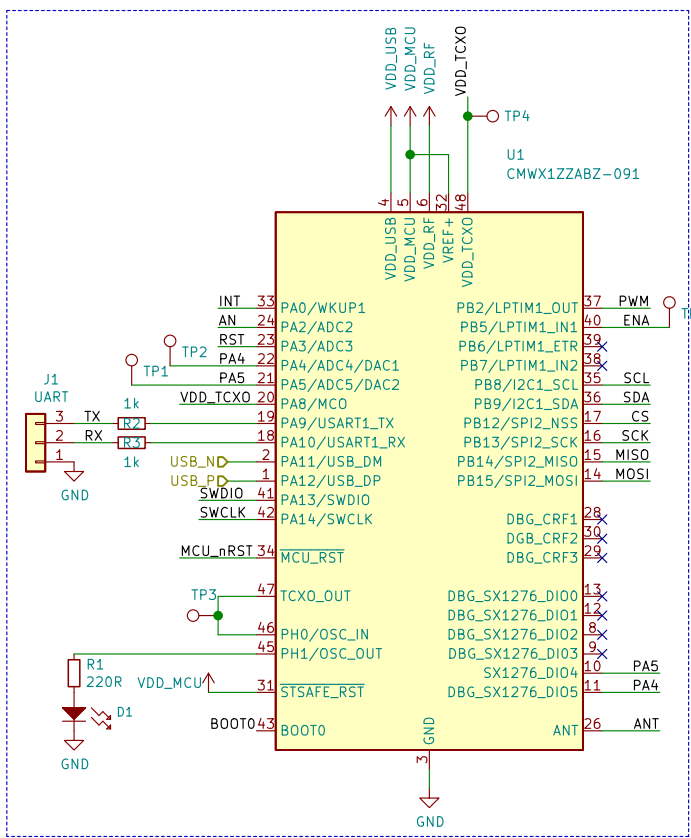
Title: TSensor board

Size: A4 Date: 2020-05-18

KiCad E.D.A. kicad (5.1.5)-3

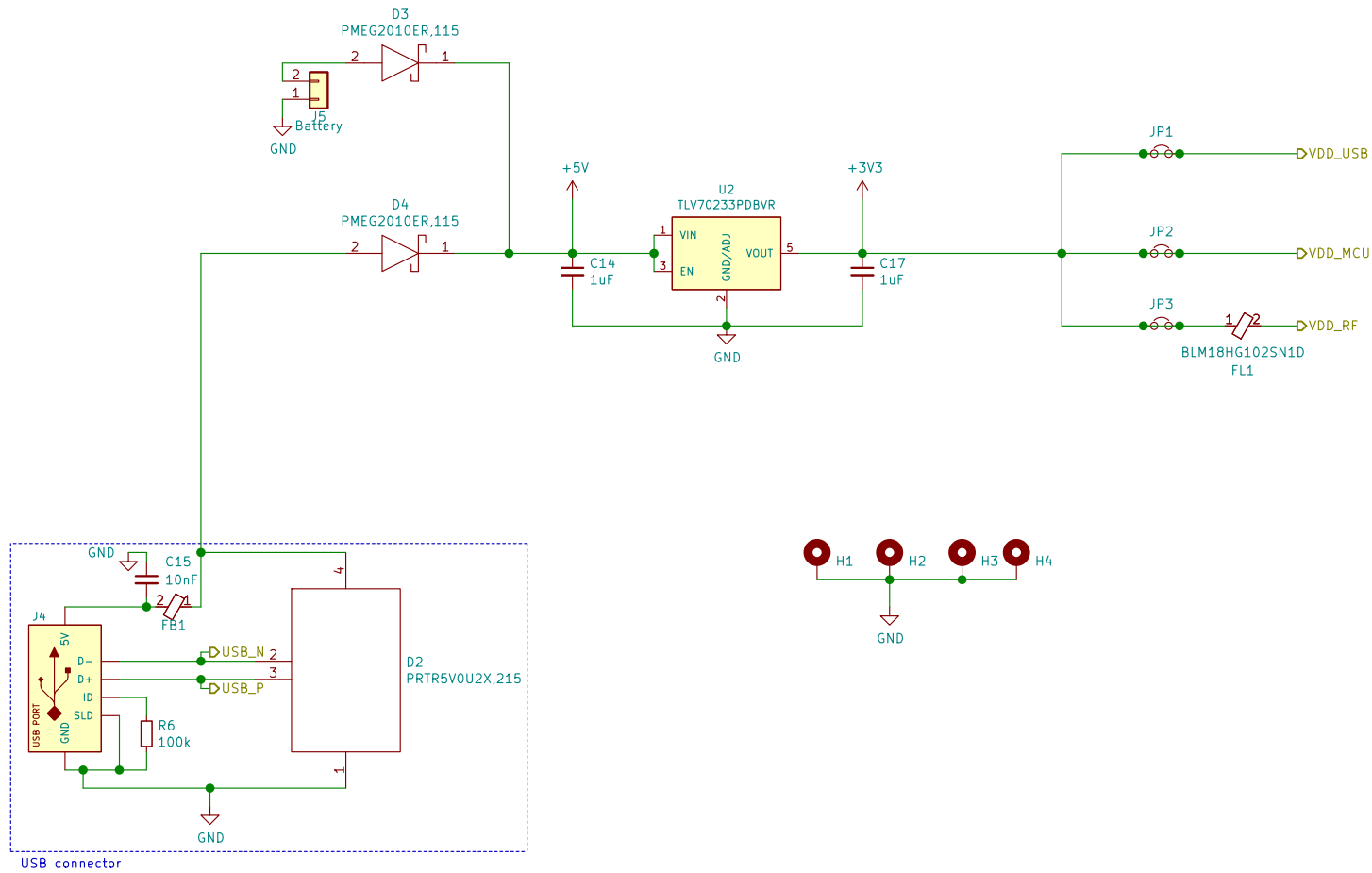
Rev: v1.0

Id: 1/3



<https://hackaday.io/project/171082-tsensor>
CC BY 4.0
Michael Grand
Sheet: /MCU/
File: MCU.sch

Title: TSensor board	
Size: A4	Date: 2020-05-18
KiCad E.D.A. kicad (5.1.5)-3	Rev: v1.0
	Id: 2/3



<https://hackaday.io/project/171082-tsensor>

CC BY 4.0

Michael Grand

Sheet: /Power supply / USB/

File: power_supply.sch

Title: TSensor board

Size: A4

Date: 2020-05-18

Rev: v1.0

KiCad E.D.A. kicad (5.1.5)-3

Id: 3/3