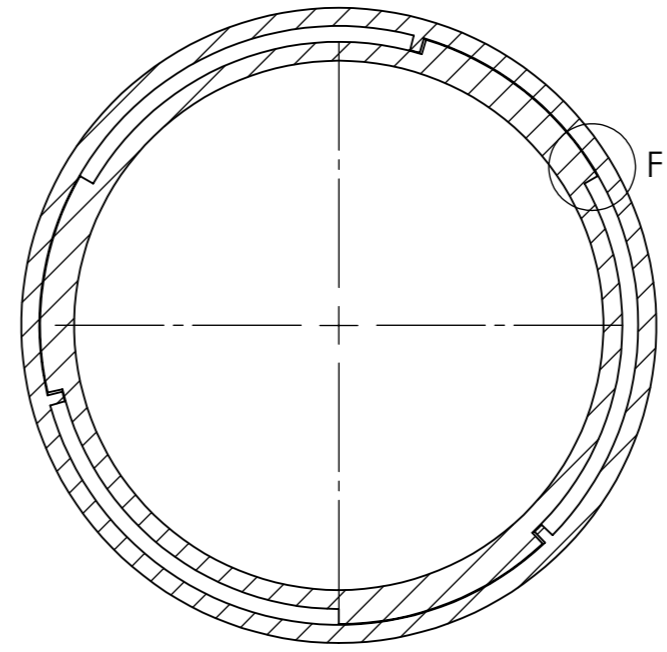
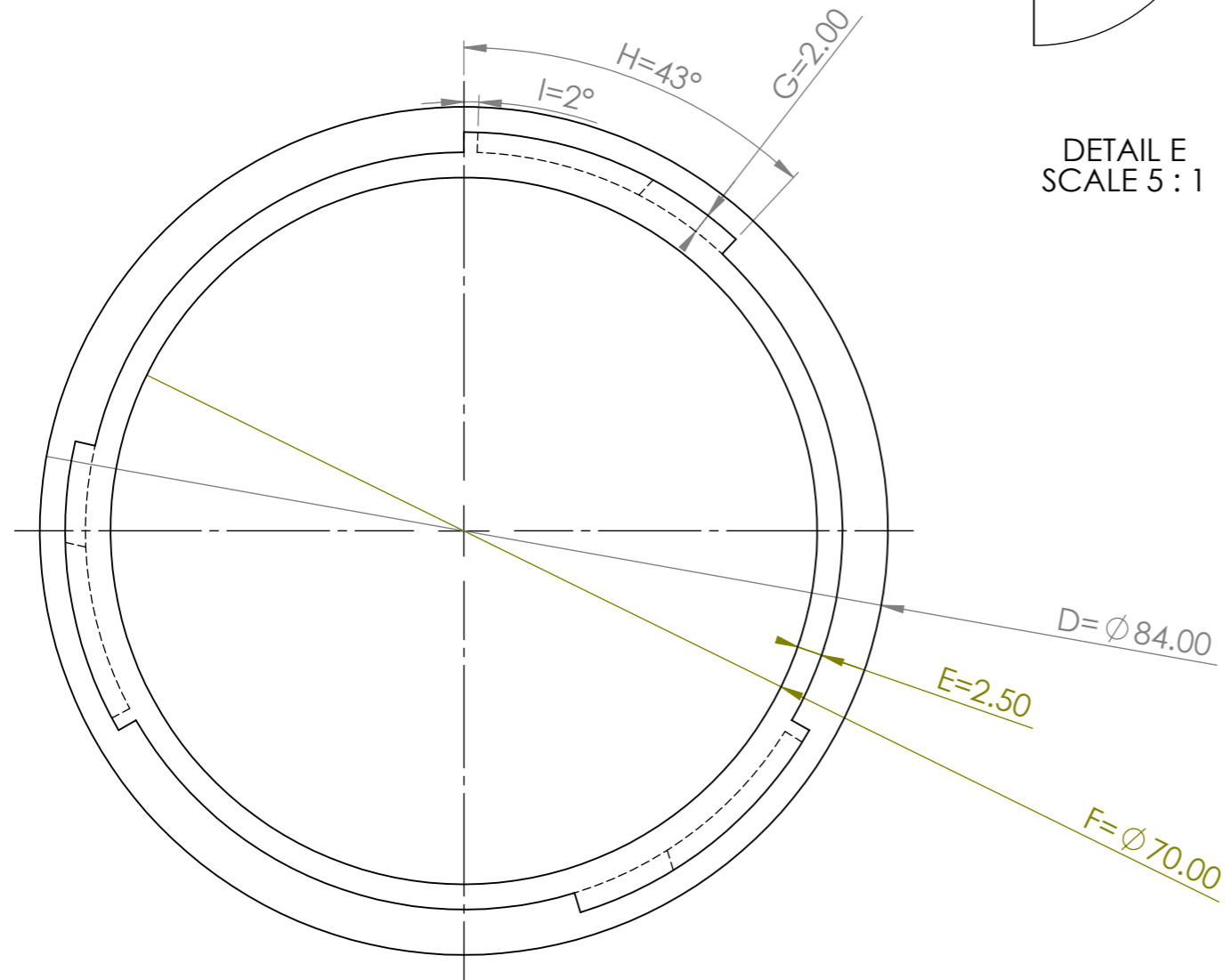
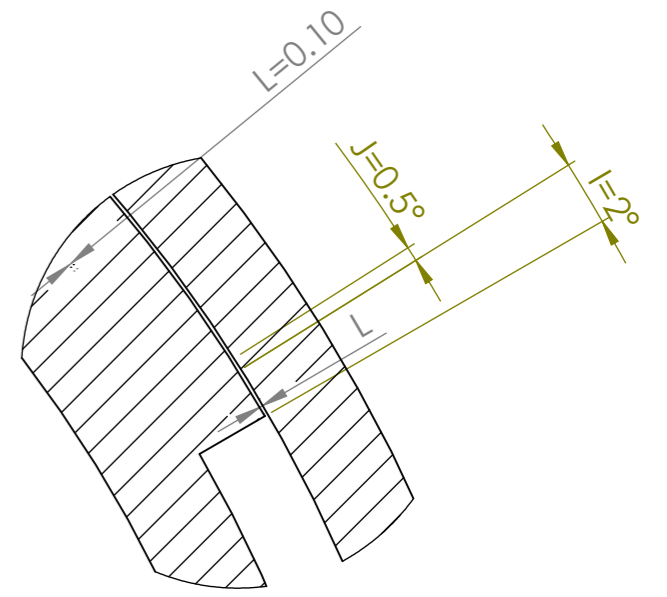


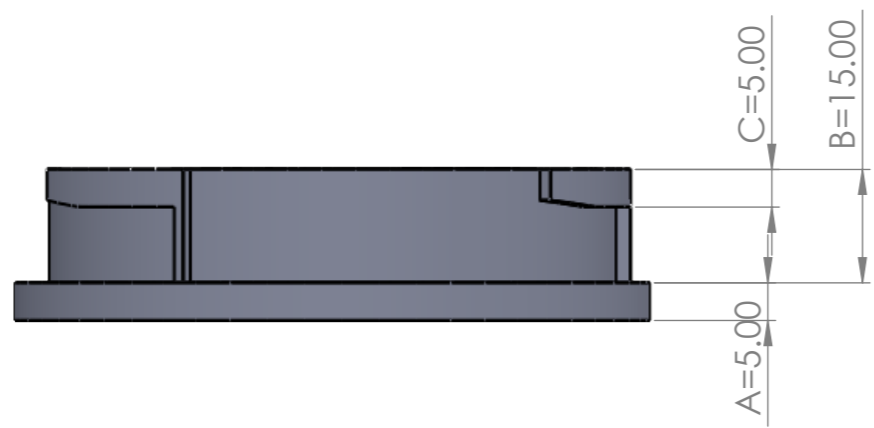
DETAIL E
SCALE 5 : 1



SECTION D-D



DETAIL F
SCALE 5 : 1



TITLE: Drawing_Coupler		
NAME	DATE	
DRAWN CONRAD BRINDLE	26/04/2020	
Rev.1		
Not to Scale		A3
SHEET 1 OF 1		