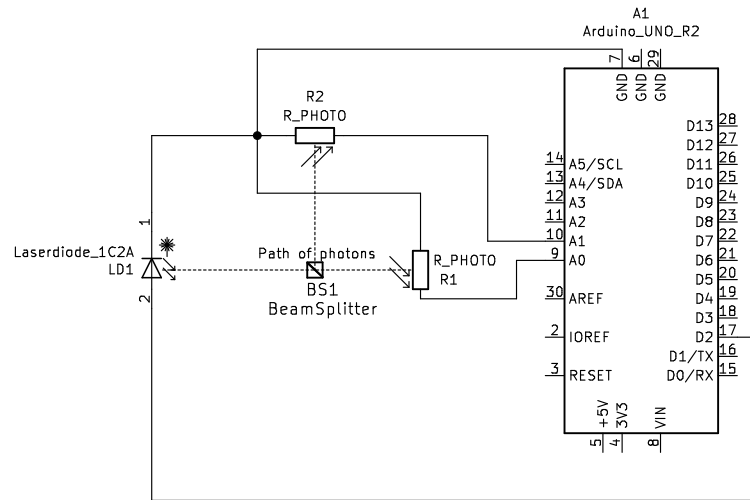


For use with firmware version 1.1



Single Qubit Entropy Generator

Spooky Manufacturing, LLC

Sheet: /

File: QRNGv1.sch

Title: QRNGv1

Size: USLetter Date: 2019-10-11

KiCad E.D.A. kicad 5.1.4-e60b26684ubuntu18.04.1

Rev: 1

Id: 1/1