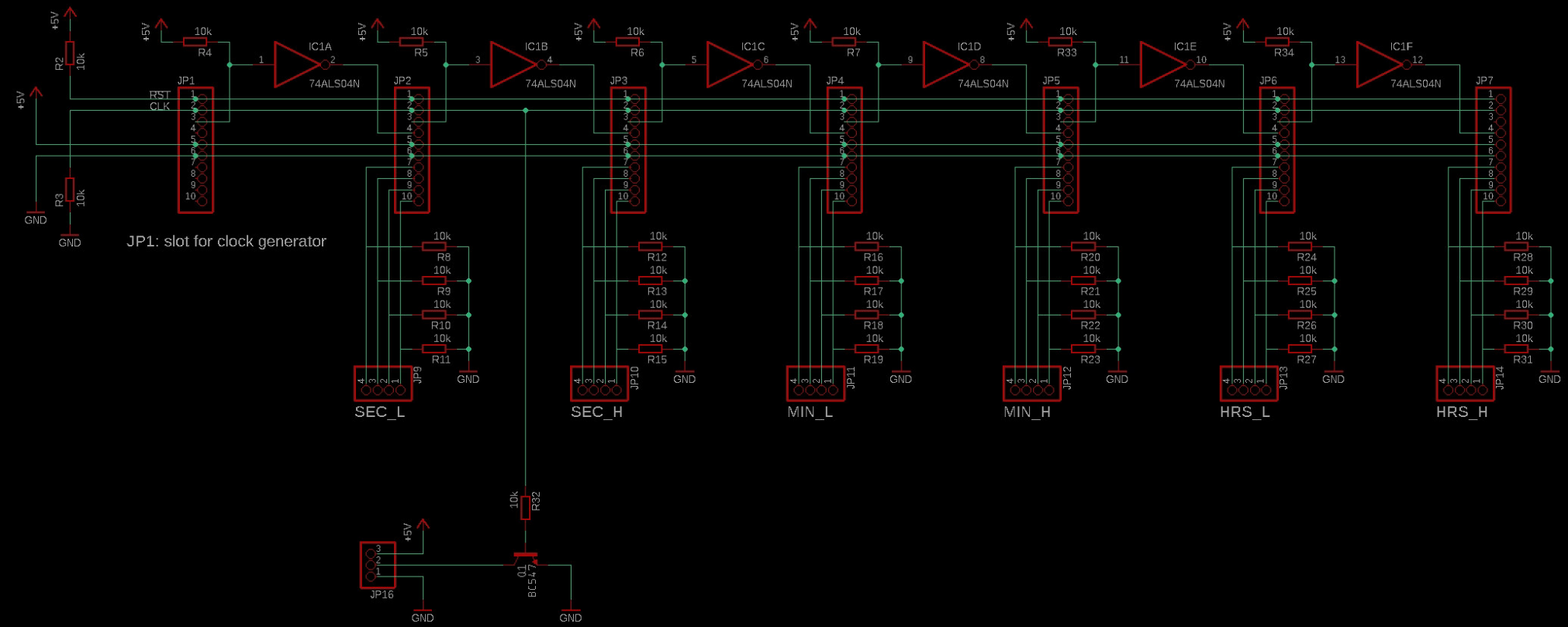


The  $\overline{CO}$  of the previous stage is inverted and connected to the CI of the current stage (carry chain)



Display module power & amp. power for hh:mm:ss separator LEDs