

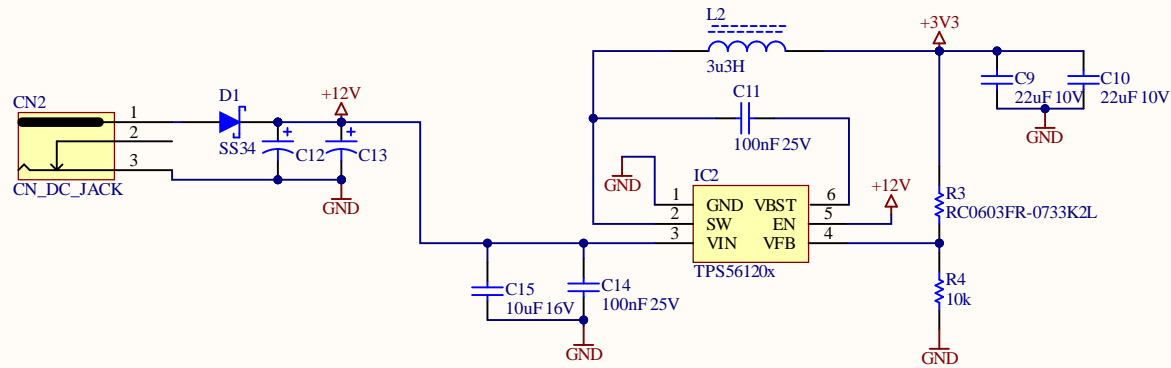
Title: **P13_Helvetios - Microcontroller**

Project: P013_Helvetios_Base_Leds_91.PrjPcb

Date: 14/02/2021 | Size: A4 | Revision: V0 | Sheet 1 of 2

File: P013_Helvetios_Microcontroller.SchDoc





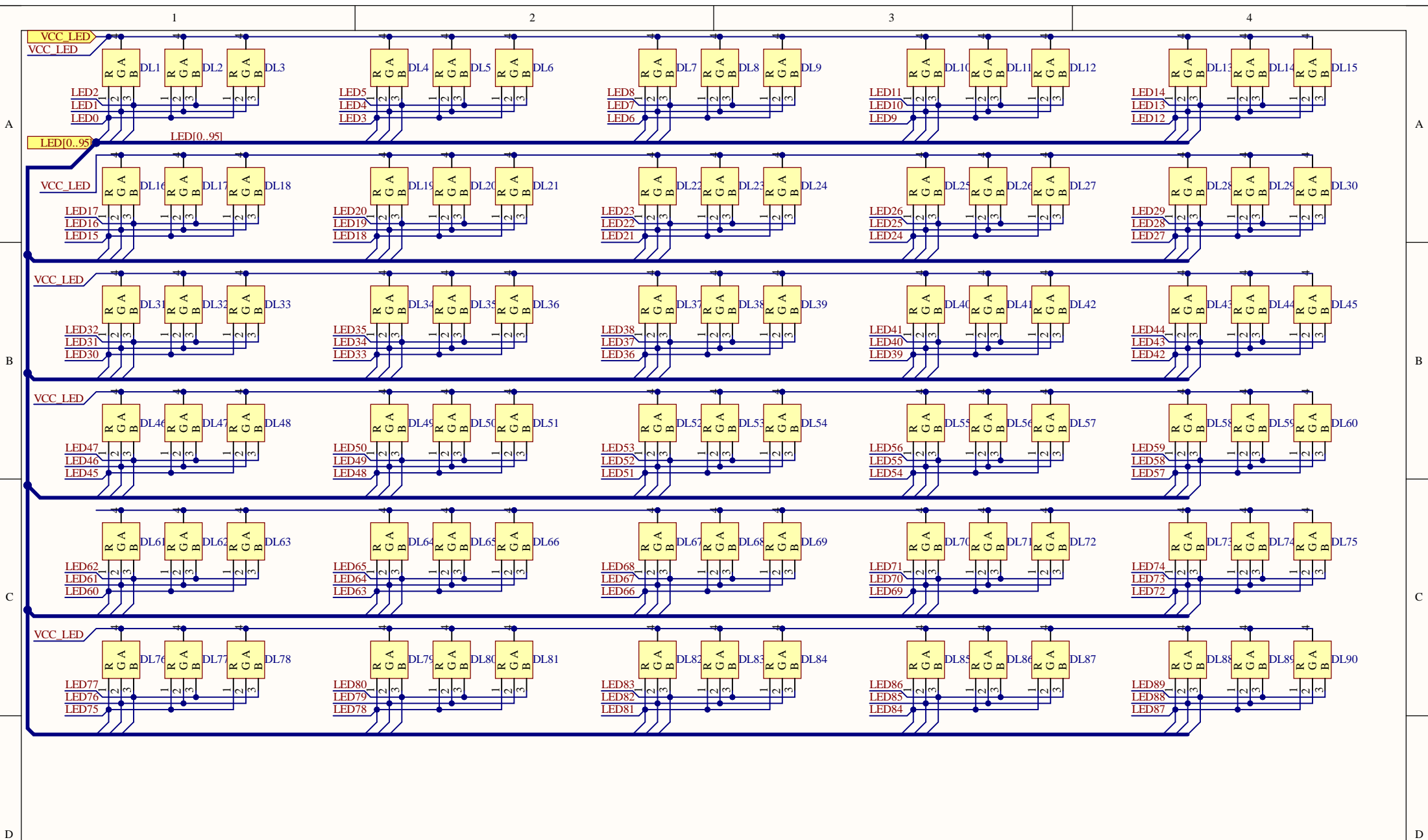
Title: **P13_Helvetios - Power Supply**

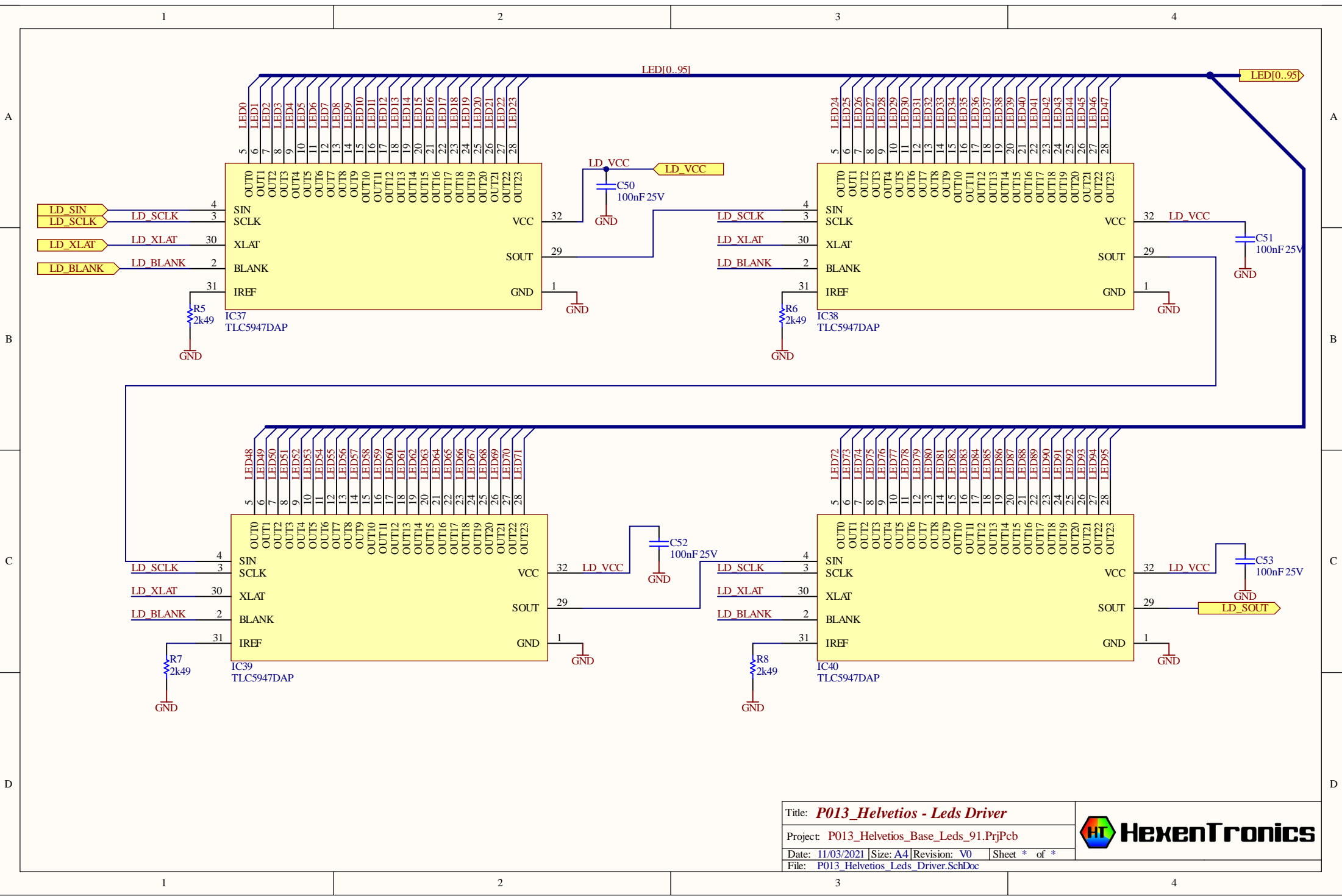
Project: P013_Helvetios_Base_Leds_91.PrjPcb

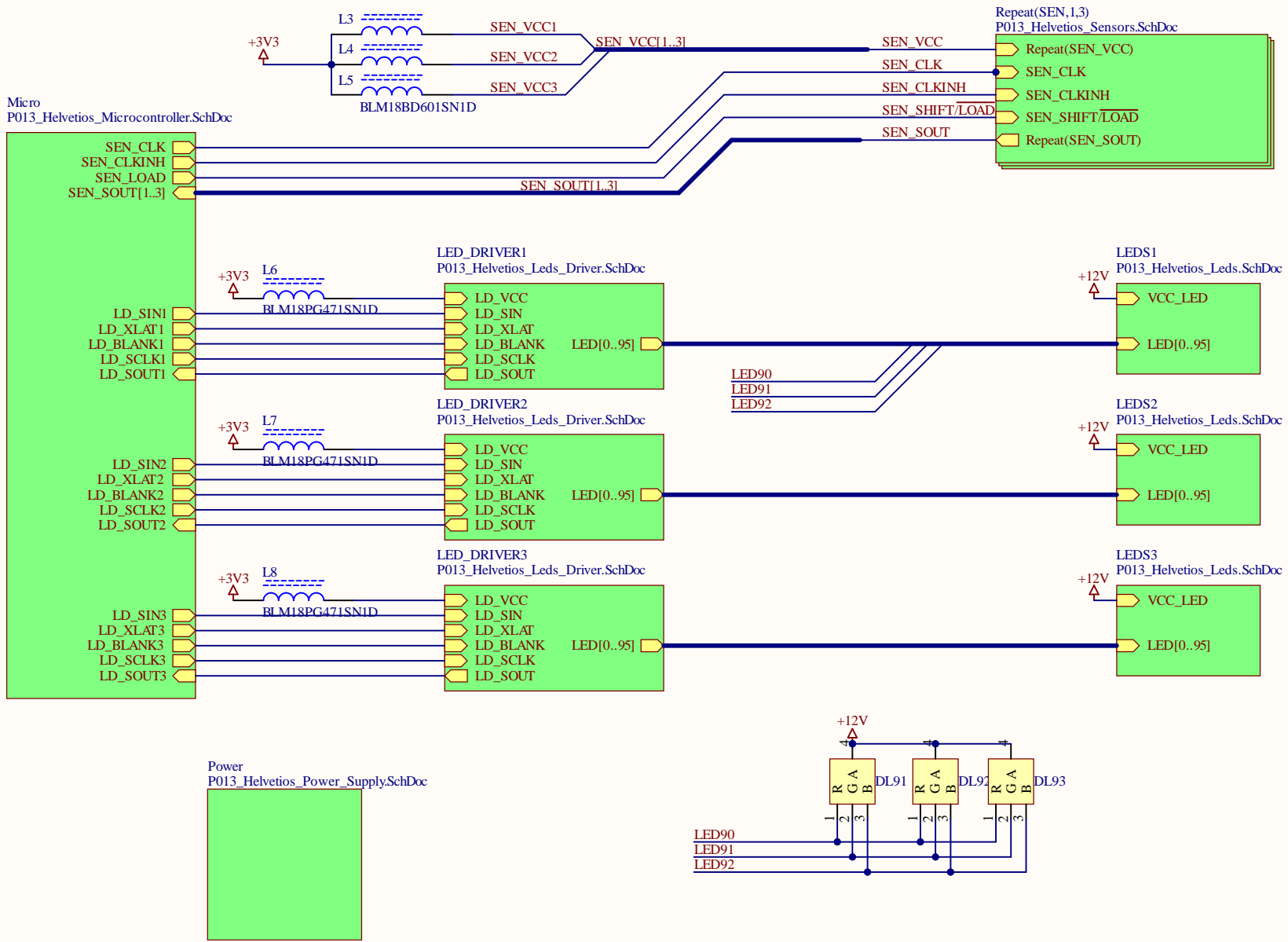
Date: 11/03/2021 | Size: A4 | Revision: V0 | Sheet 2 of 2

File: P013_Helvetios_Power_Supply.SchDoc









Title: **P13_Helvetios - Main**
 Project: P013_Helvetios_Base_Leds_91.PrjPcb
 Date: 11/03/2021 | Size: A4 | Revision: V0 | Sheet * of *
 File: P013_Helvetios_Main.SchDoc



