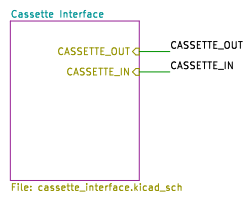
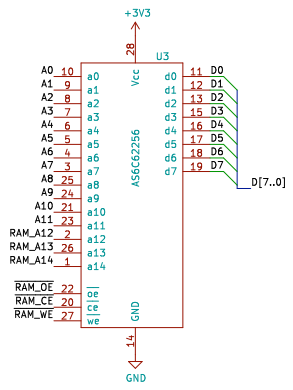
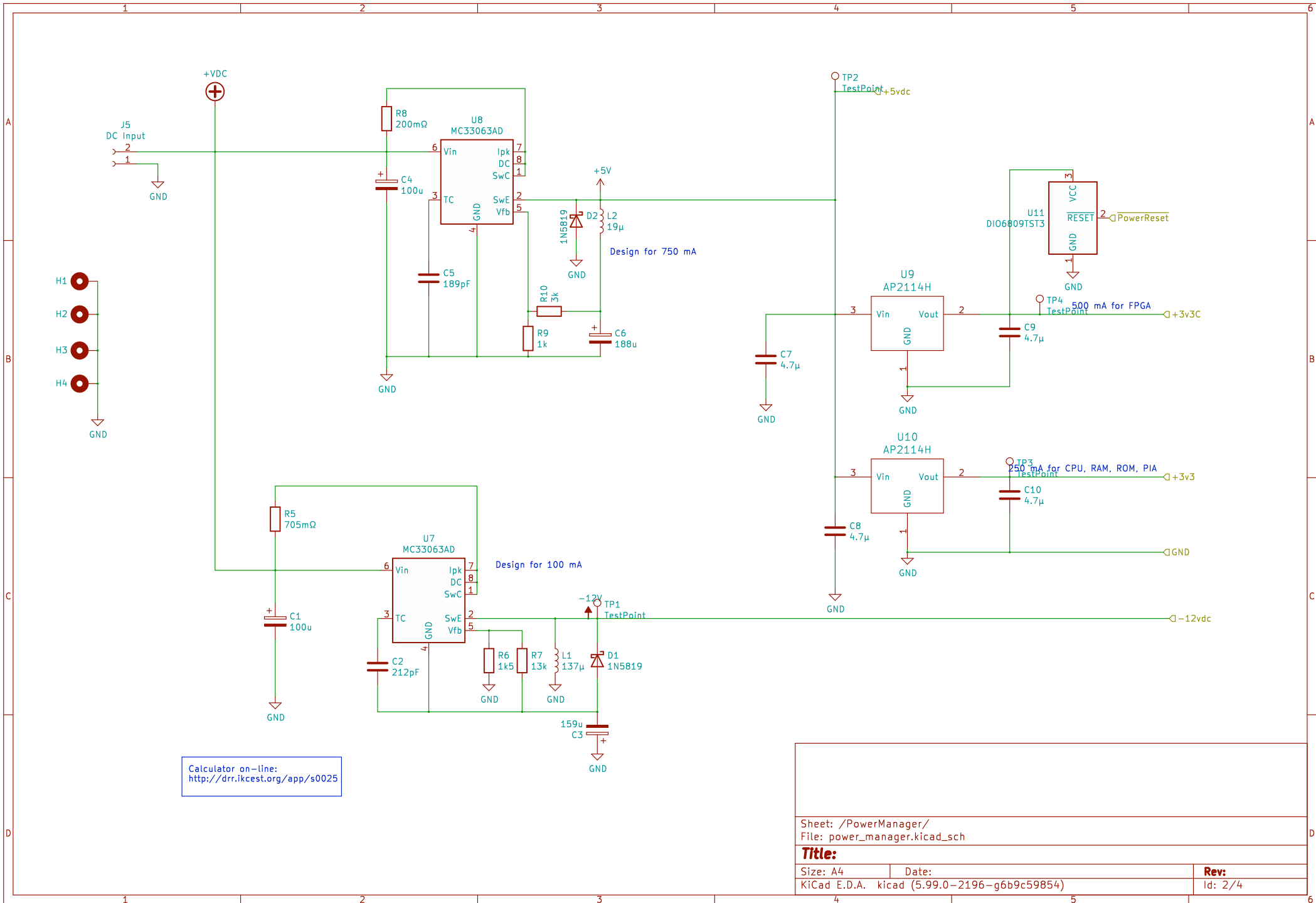
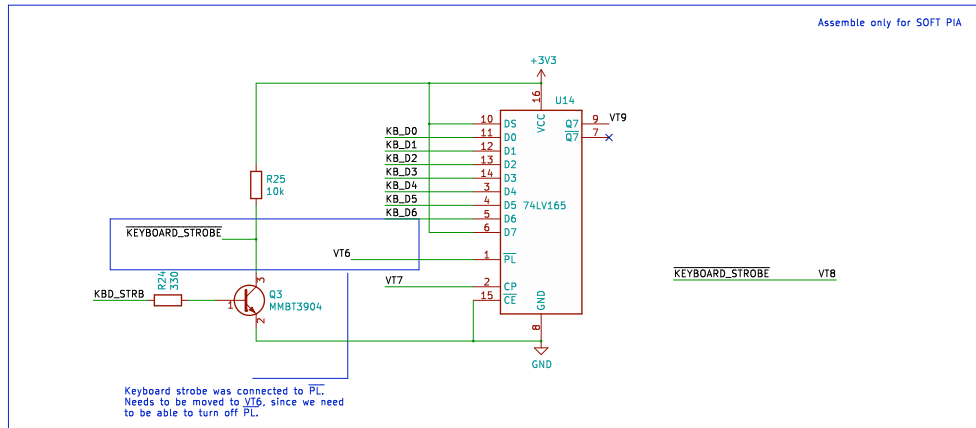
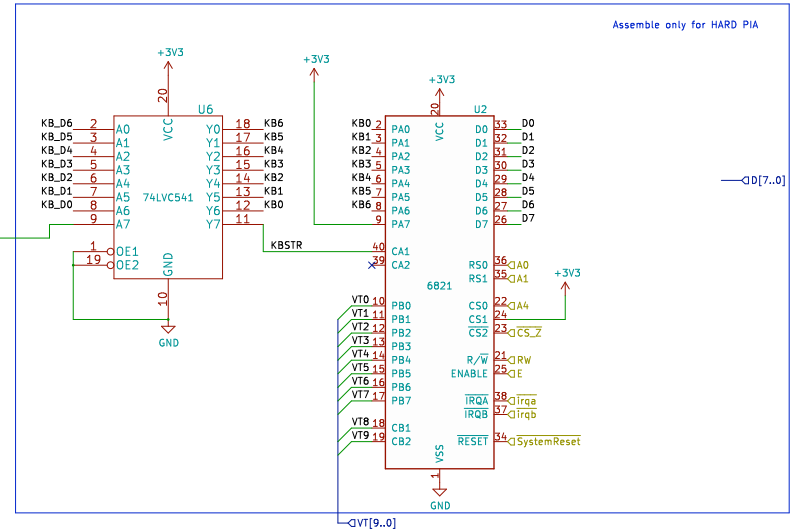
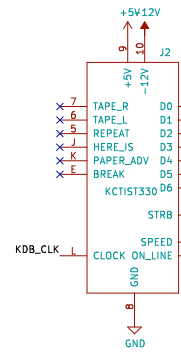
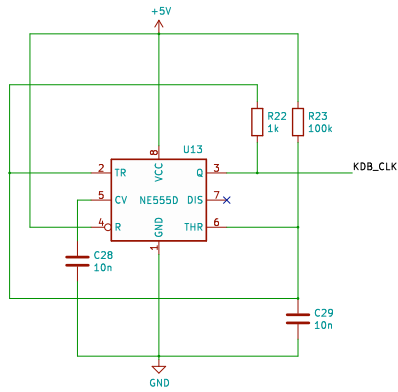
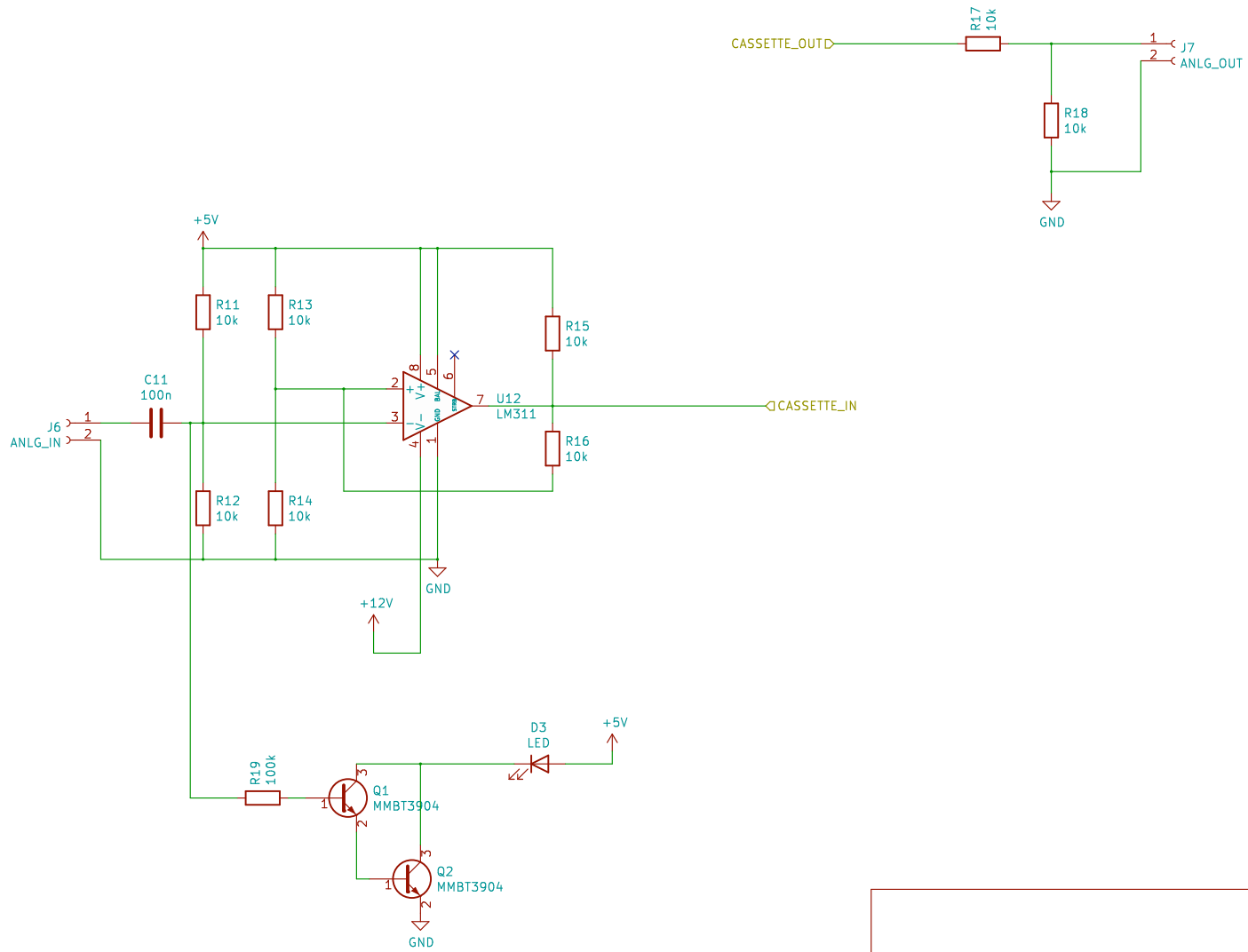


VT7/KEYBOARD_CLK VT7
VT8/KEYBOARD_STROBE VT8
VT9/KEYBOARD_SDATA VT9









Sheet: /Cassette Interface/		
File: cassette_interface.kicad_sch		
Title:		
Size: A4	Date:	Rev:
KiCad E.D.A. kicad (5.99.0-2196-g6b9c59854)		Id: 4/4