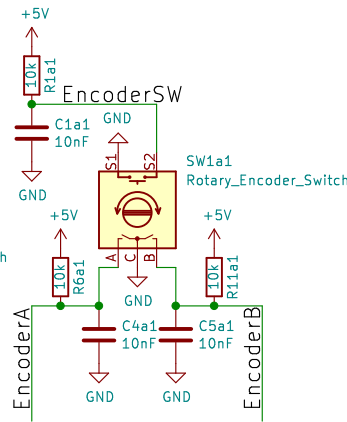
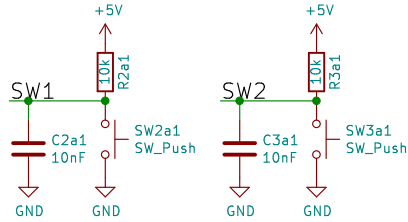
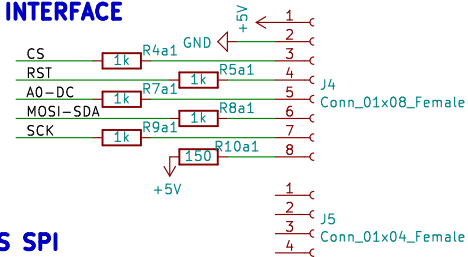


HMI INTERFACE

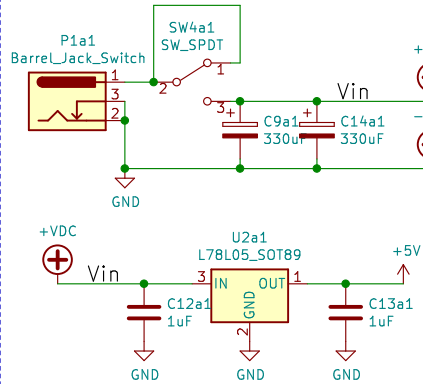


TFT LCD INTERFACE

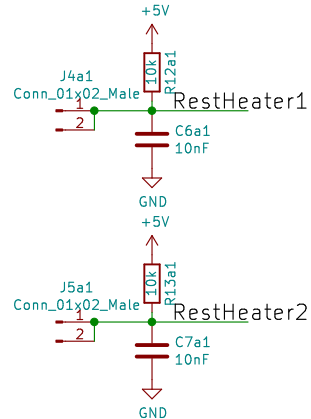


ST7735S SPI

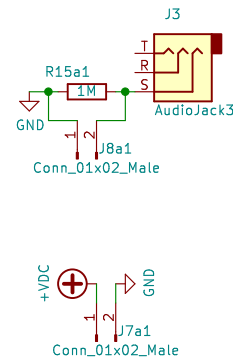
DC-In and voltage regulation



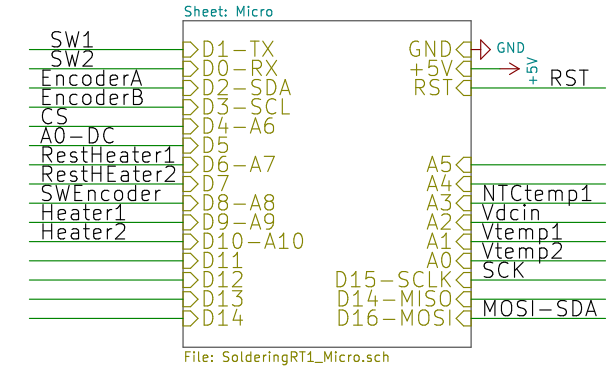
Rest connection for heaters



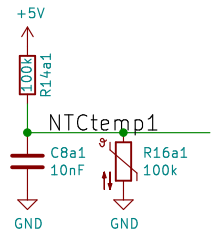
Other Conenctions



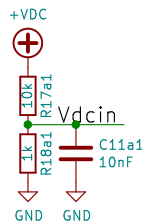
MCU connections



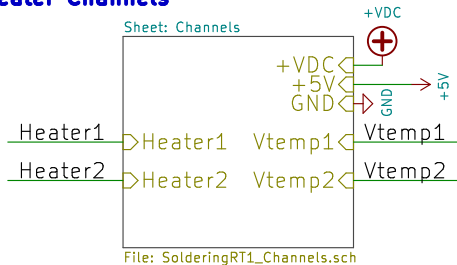
Internal Temperature



Input Voltage



Heater Channels



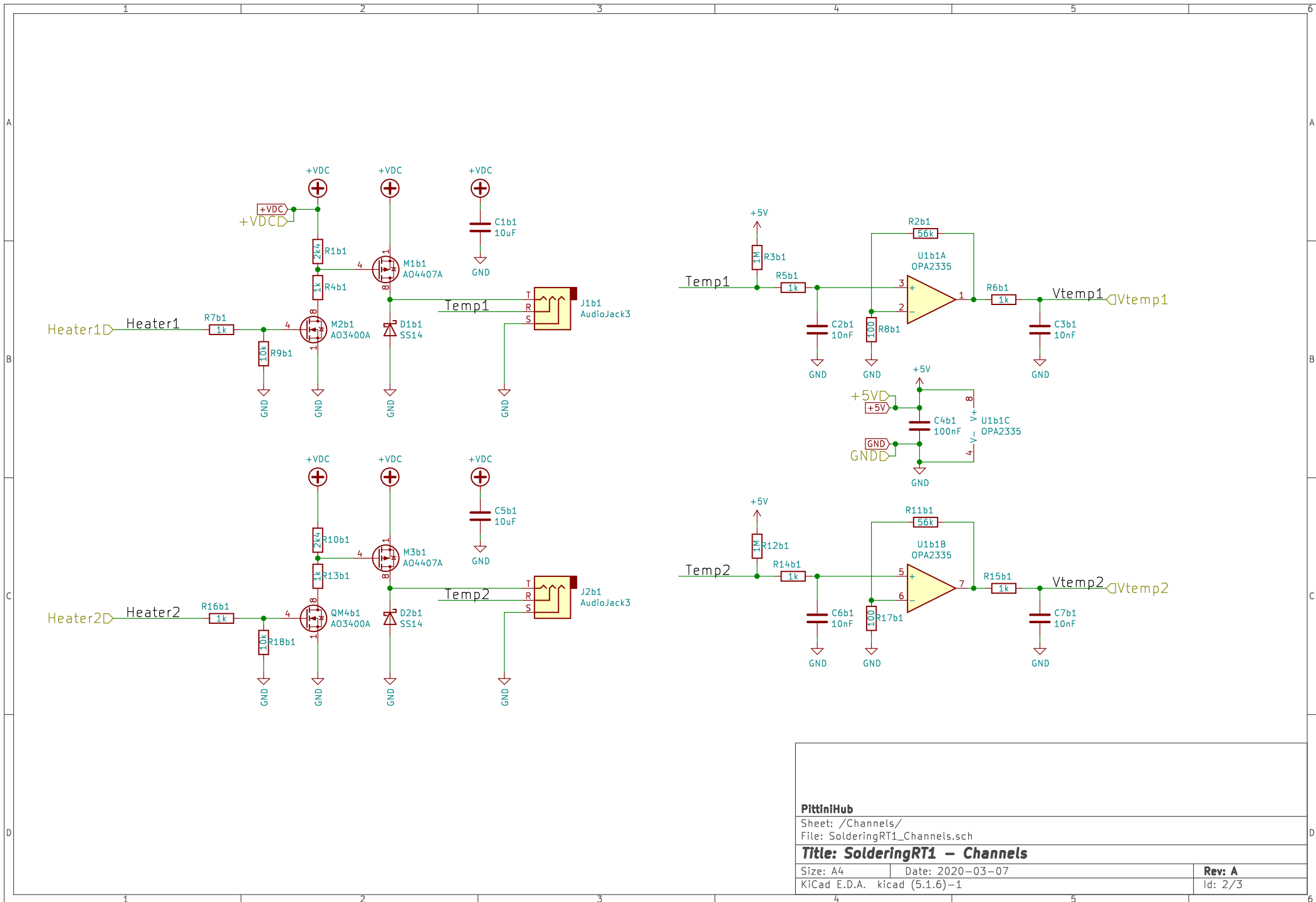
PittiniHub

Sheet: /
File: SolderingRT1.sch

Title: SolderingRT1

Size: A4 Date: 2020-03-07
KiCad E.D.A. kicad (5.1.6)-1

Rev: A
Id: 1/3



PittiniHub

Sheet: /Channels/
File: SolderingRT1_Channels.sch

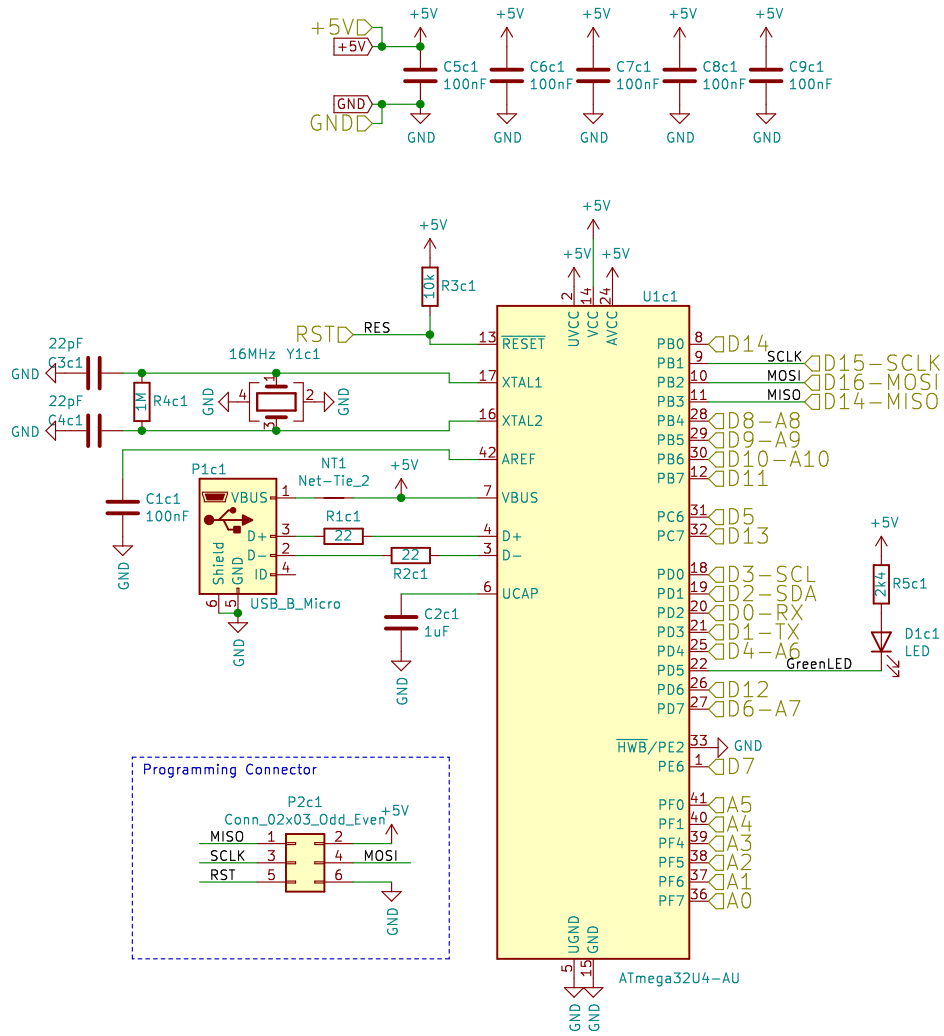
Title: SolderingRT1 - Channels

Size: A4 Date: 2020-03-07

KiCad E.D.A. kicad (5.1.6)-1

Rev: A

Id: 2/3



| | |
|----------------------------------|------------------|
| PittiniHub | |
| Sheet: /Micro/ | |
| File: SolderingRT1_Micro.sch | |
| Title: SolderingRT1 - MCU | |
| Size: A4 | Date: 2020-03-71 |
| KiCad E.D.A. kicad (5.1.6)-1 | Rev: A |
| | Id: 3/3 |