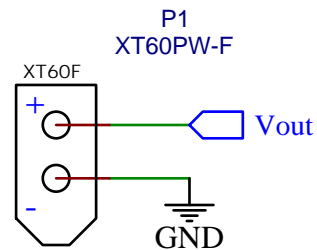
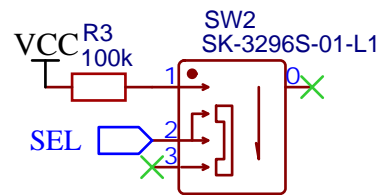


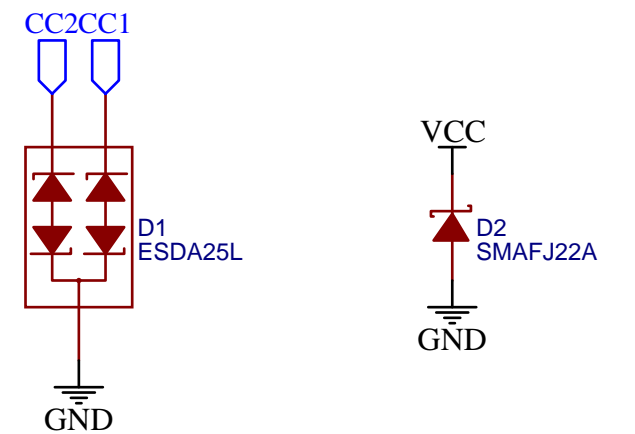
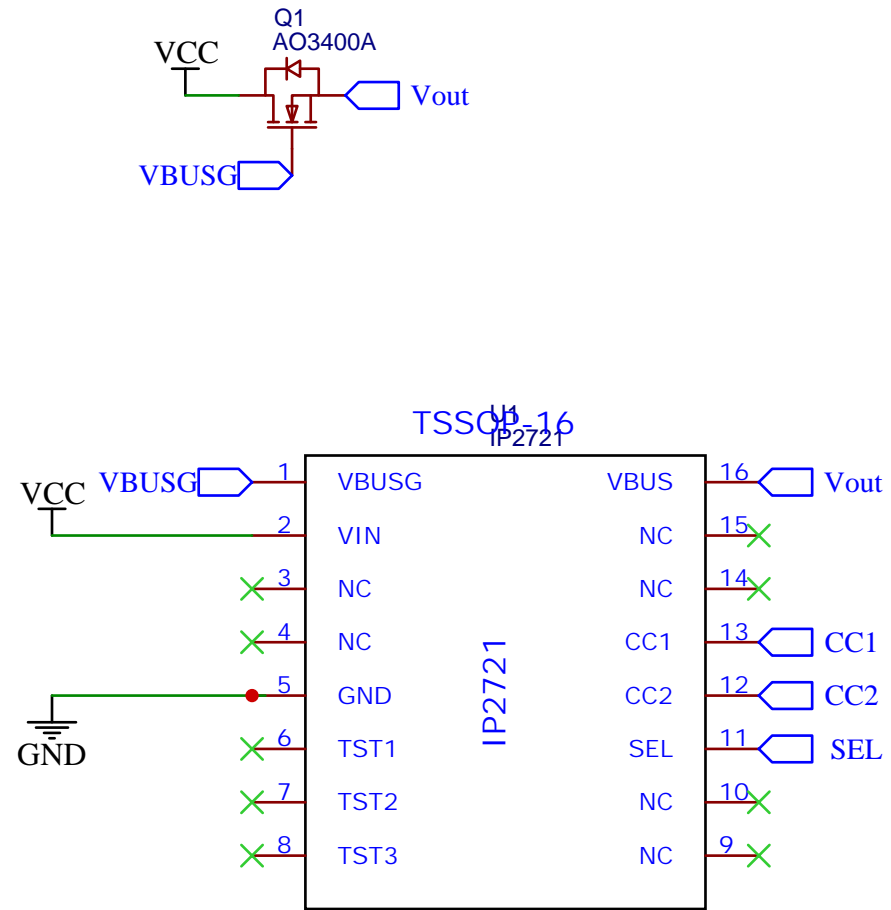
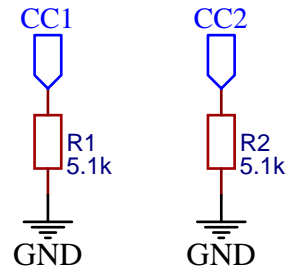
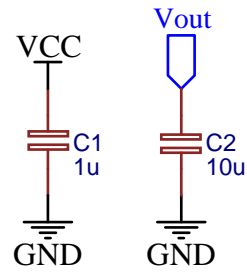
USB C Input



XT60 Output



Voltage Select



ESD

TITLE: USB C to TS100		REV: 1.2
	Company: Brian Lough	Sheet: 1/1
	Date: 2020-02-17	Drawn By: ecenuig