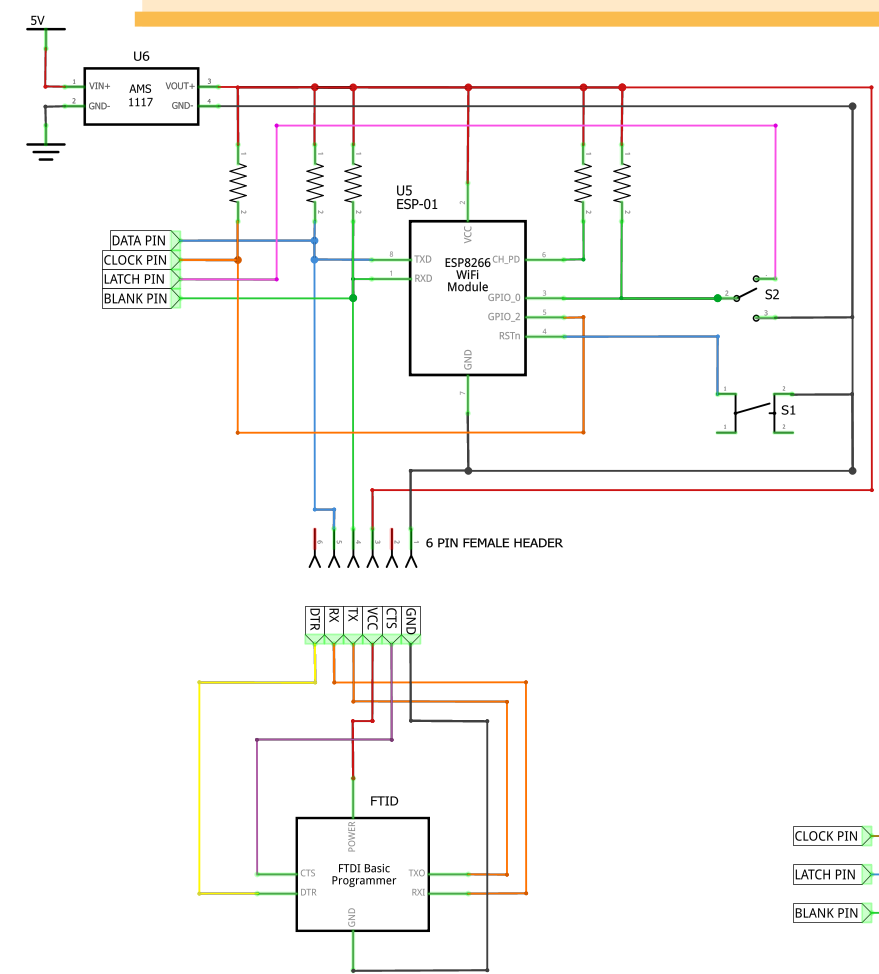


- * AMS1117 power module supply 3.3V to ESP8266-01.
- * The slide switch - S2 - allows switching between program and normal operation modes.
- * The button - S1 - is used to reset ESP8266-01.
- * The 6 PIN FEMALE HEADER is used for programing modes, FTDI pragramer - 6 PIN MALE HEADER can plugged to it for uploading user program.



6 PIN MALE HEADER IS SOLDERED ON PROTOTYPE SO THAT ESP8266-01 CAN BE PROGRAMMED VIA THIS HEADER

