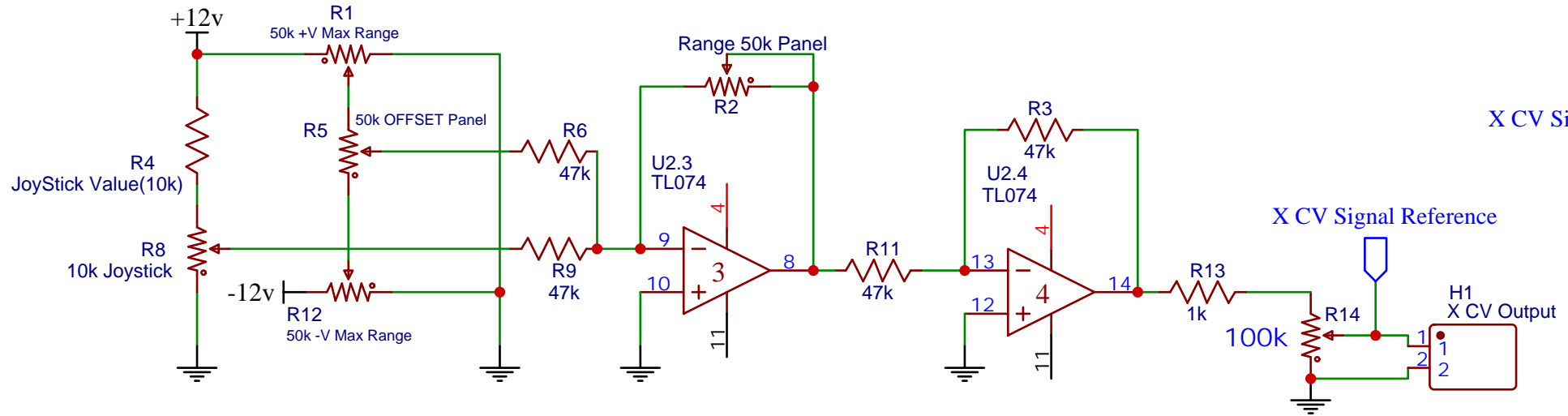


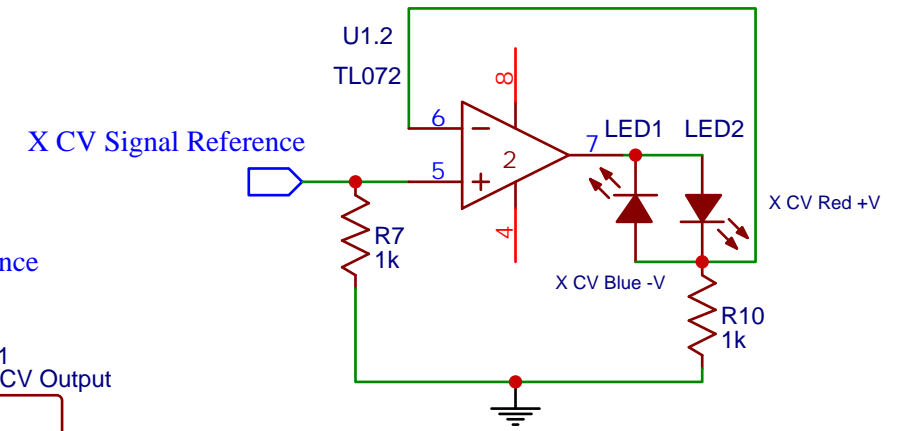
X AXIS CV Controller



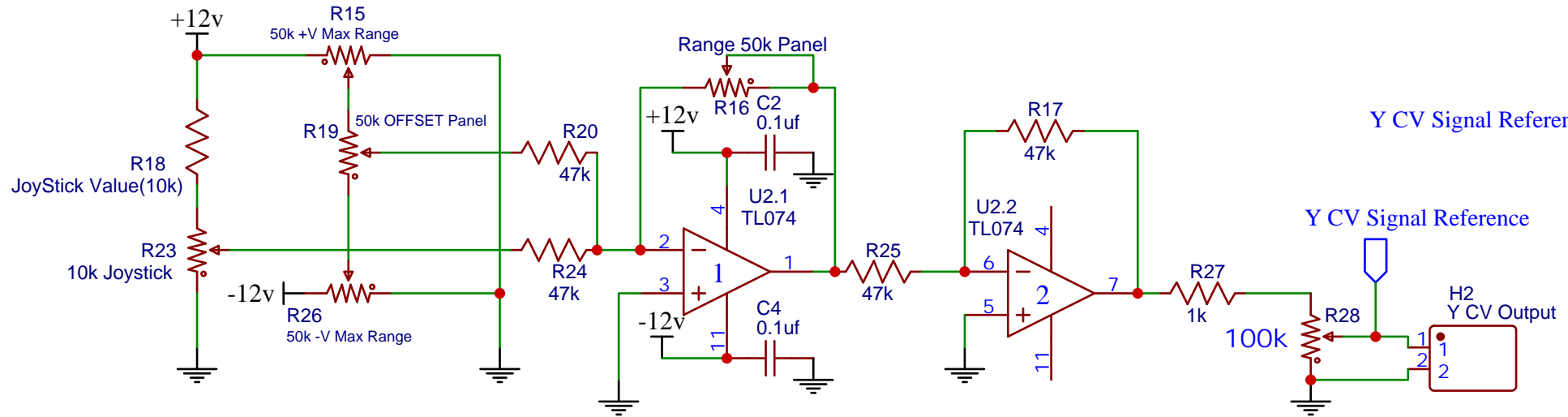
X AXIS Passive Attenuator

X AXIS LED Offset Voltage to Current Driver

-Drives The LED'S Brightness Linearly By Converting Voltage Output to Current
*So It can Accurately Display the Voltage on the LED

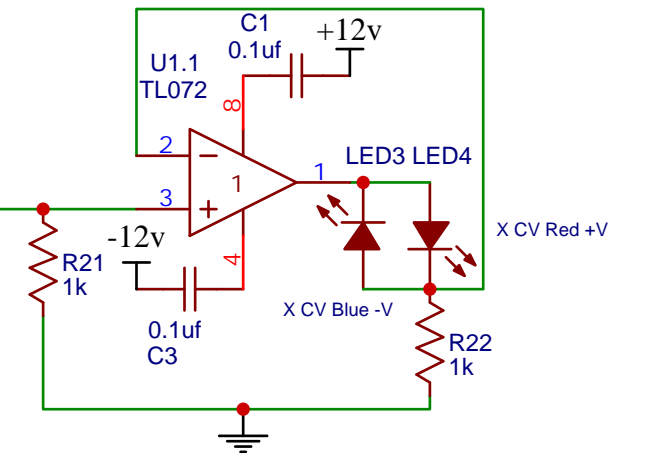


Y AXIS CV Controller



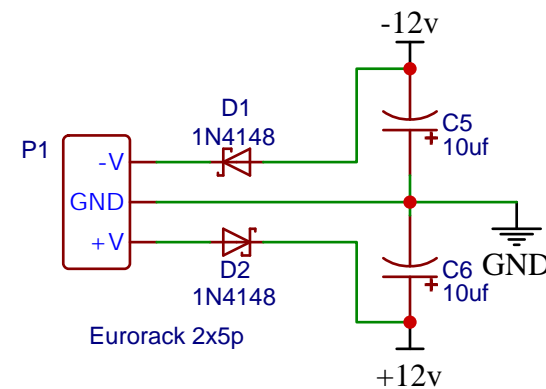
Y AXIS Passive Attenuator

Y AXIS LED Offset Voltage to Current Driver



Features

- X and Y CV for Joystick
- Offset/Range Panel Knobs X/Y
- Offset Positive/Negative Voltage output LED Indication
- Passive Attenuator Output



Eurorack 2x5p

TITLE: CV joystick		REV: 1.3
EasyEDA	Company: Circulartronics	Sheet: 1/1
	Date: 2020-03-16	Drawn By: Neil mundt