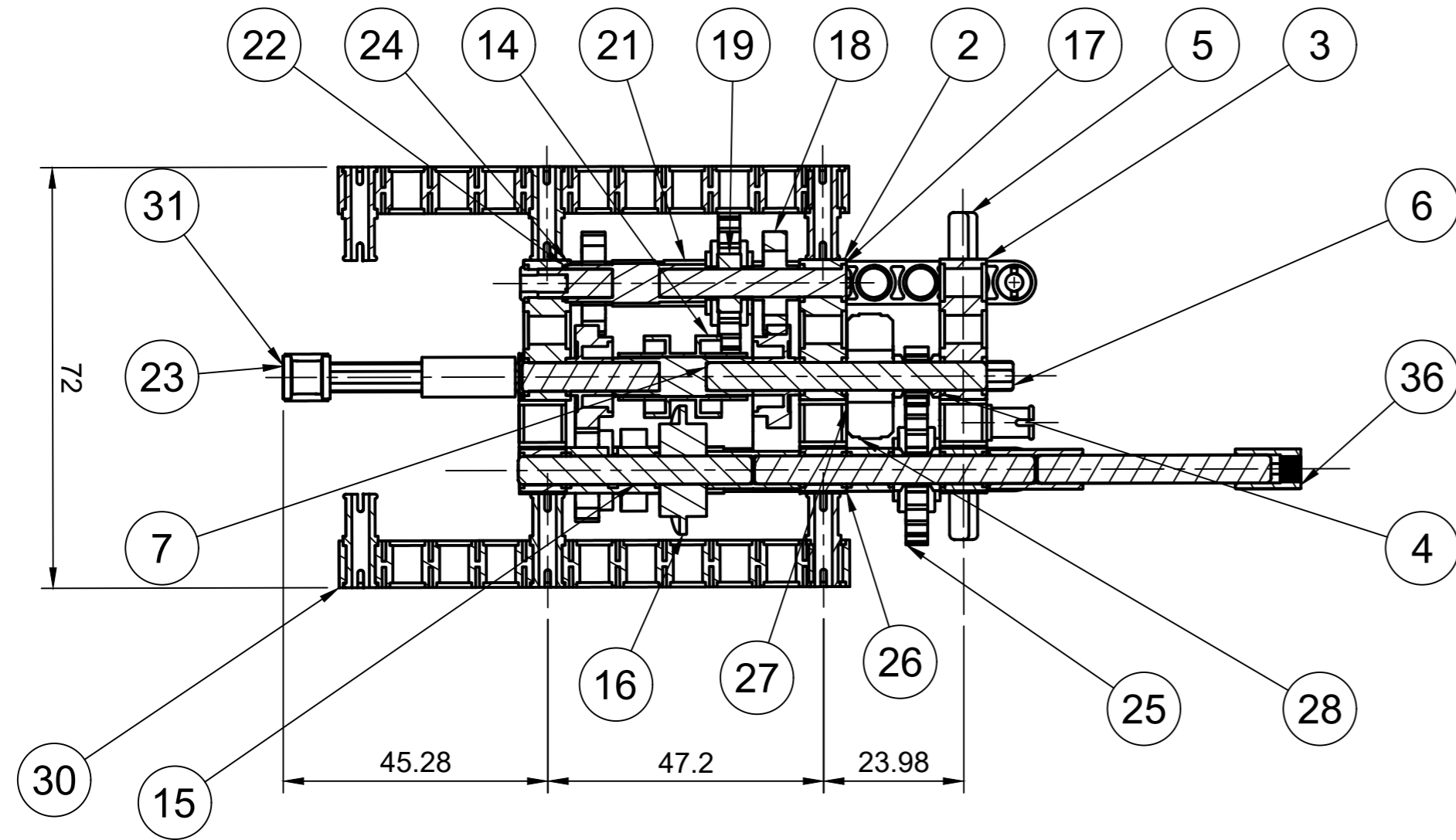


A-A (1:1)



Dept.	Technical reference	Created by Mark keci 02.07.2020	Approved by
IMIR	Document type Assembly drawing		Document status
	Title Assembly		DWG No.
	Rev.	Date of issue	Sheet 1/2

Item	Qty	Part Number	Description	Material	Item	Qty	Part Number	Description	Material
36	1	Coupler		Solidworks materials PET	17	1	87083 DkStone Technic Axle 4 with Stop		Solidworks materials PET
31	1	Lego, 32184, Technic, Axle and Pin Connector Perpendicular 3L with Center Pin Hole		Steel	16	1	35188-Orange		ABS Plastic
					15	2	32073 White Technic Axle 5		Solidworks materials PET
					14	2	Dark Stone Gray Gear Shifter Ring 3m		Steel
30	8	Lego, 32525, Technic, Liftarm 1 x 11 Thick		Steel	13	1	Lego, 32316, Technic, Liftarm 1 x 5 Thick		Steel
28	1	32269 Black Technic Gear 20 Tooth Double Bevel		Steel	12	3	Medium Stone Gray Double Axle Connector (Smooth with "x" Hole)		Steel
27	1	32270 - 4177431 - Black Technic Gear 12 Tooth Double Bevel		Steel	11	3	6542 OldDkGrey Technic Gear 16 Tooth with Clutch		Solidworks materials PET
26	1	Lego, 32523, Technic, Liftarm 1 x 3 Thick		Steel	10	4	6538c Red Technic Axle Joiner Inline Smooth		Solidworks materials PET
25	2	Lego, 3648, Technic, Gear 24 Tooth (New Style with Single Axle Hole)		Steel	9	1	Lego, 6587, Technic, Axle 3 Stop		Steel
					8	28	Lego, 3673, Technic, Pin without Friction Ridges Lengthwise		Steel
24	1	Lego, 6536, Technic, Axle and Pin Connector Perpendicular v1		Steel	7	3	3706 MdStone Technic Axle 6		Solidworks materials PET
23	2	Lego, 3705, Technic, Axle 4		Steel	6	1	STOP 5.5mm		Steel
22	1	Lego, 3749, Technic, Axle Pin without Friction Ridges Lengthwise		Steel	5	4	44294 Red Technic Axle 7		Solidworks materials PET
					4	6	3713 OldGray Technic Bush		Solidworks materials PET
21	2	Lego, 75535b, Technic, Pin Connector Round with Slot (Pin Joiner Round)		Steel	3	6	Medium Stone Gray Cross Block 3 x 2 (Axle Triple Pin)		Steel
					2	4	Lego, 6536, Technic, Axle and Pin Connector Perpendicular		Steel
20	2	Lego, 4519, Technic, Axle 3		Steel	1	4	Lego_Technic_64179_NX8		Steel
19	2	3647 OldGray Technic Gear 8 Tooth		Solidworks materials PET					
18	2	4019 OldGray Technic Gear 16 Tooth		Solidworks materials PET					

Parts List

Parts List

Dept.	Technical reference	Created by <b>Mark keci</b>	02.07.2020	Approved by
		Document type <b>Parts list</b>	Document status	
		Title <b>Assembly</b>	DWG No.	
	Rev.	Date of issue	Sheet	
			<b>2/2</b>	