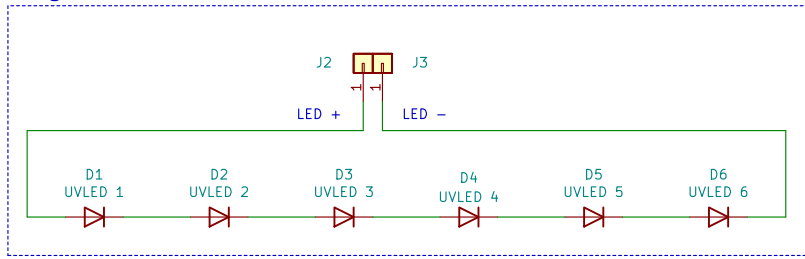
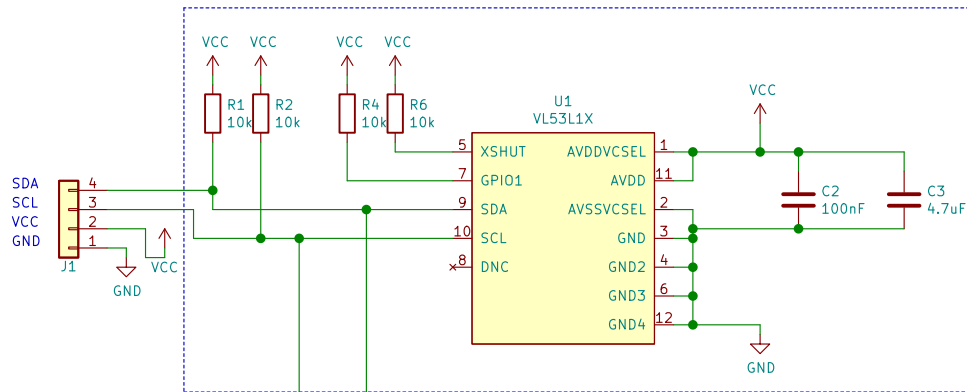


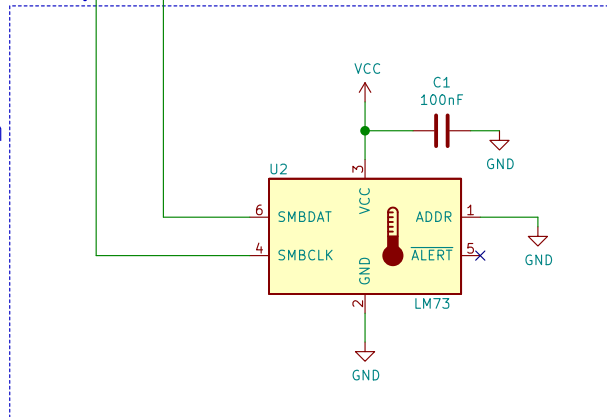
High Power LEDs



Distance Sensor



Temperature Sensor



No pull-up resistors
Sharing the ones from
the other sensor

Sheet: /
File: inulox_led_bulb.sch

Title:

Size: A4
KiCad E.D.A. kicad 5.1.6

Date:

Rev:
Id: 1/1