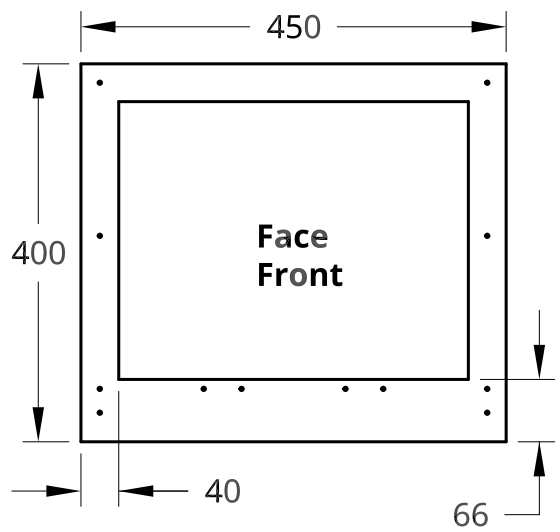
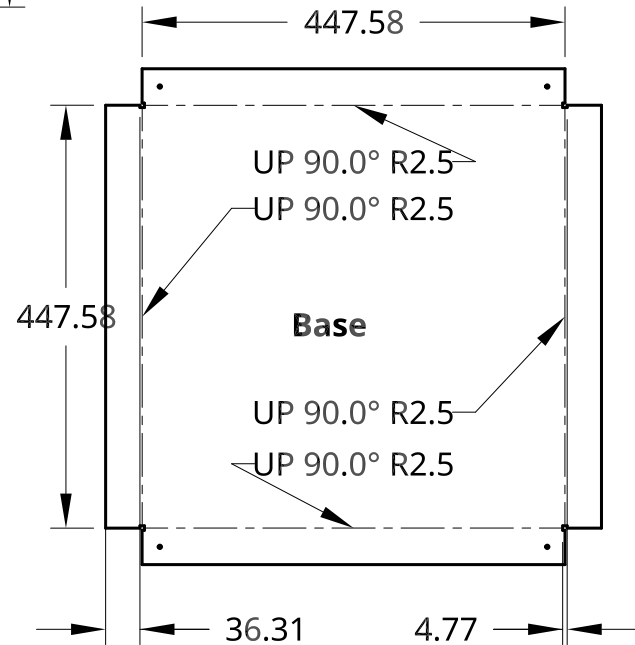
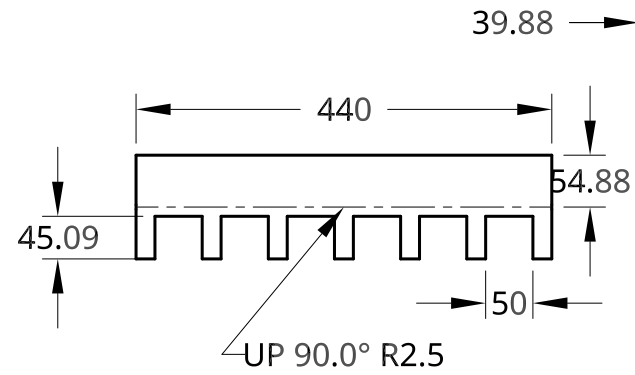
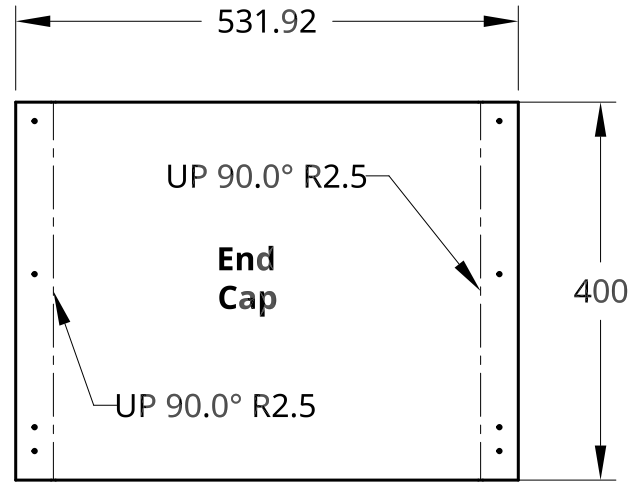
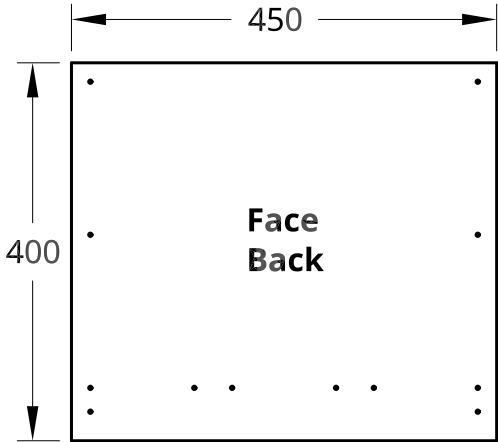


2

1



UNLESS OTHERWISE SPECIFIED, DIMENSIONS ARE IN MILLIMETERS		NAME	DATE	Cell Eleven	
ANGULAR = ± °		DRAWN	S JAMES PARSONS JR	07/22/2019	TITLE Cellerator Housing v2.0
SURFACE FINISH		CHECKED			
DO NOT SCALE DRAWING		APPROVED			
BREAK ALL SHARP EDGES AND REMOVE BURRS					SIZE A
THIRD ANGLE PROJECTION		MATERIAL	FINISH		DWG NO. 001
		18g Steel			REV.
					SCALE 1:8
					WEIGHT
					SHEET 1 of 1

2

1

B

B

A

A