

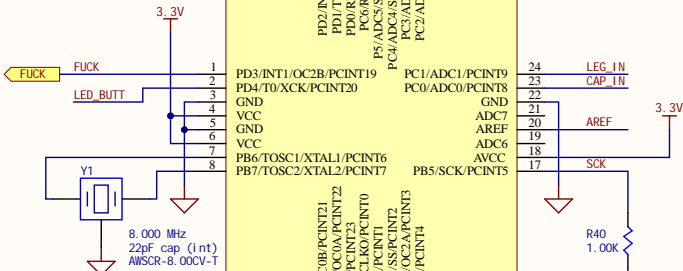
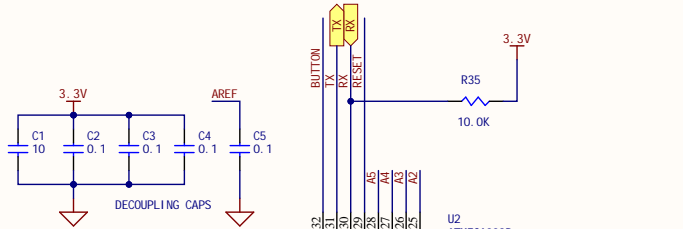
POWER CIRCUIT

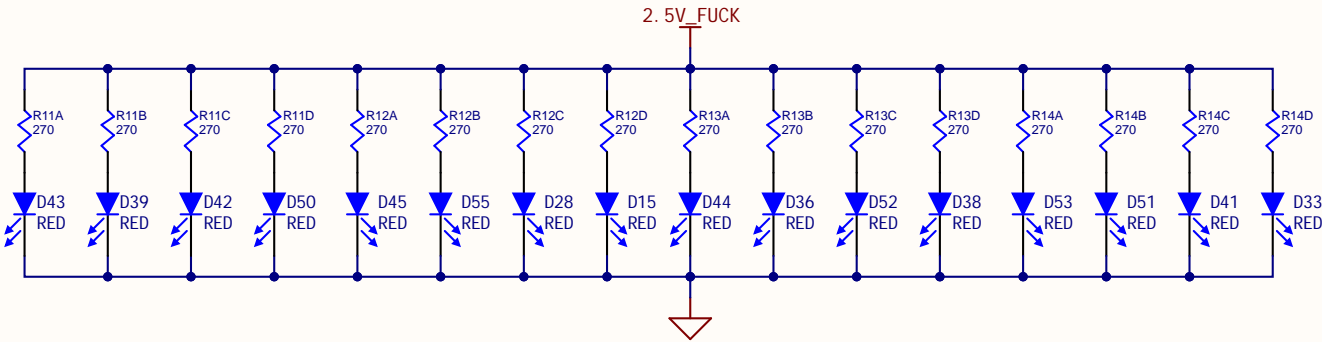
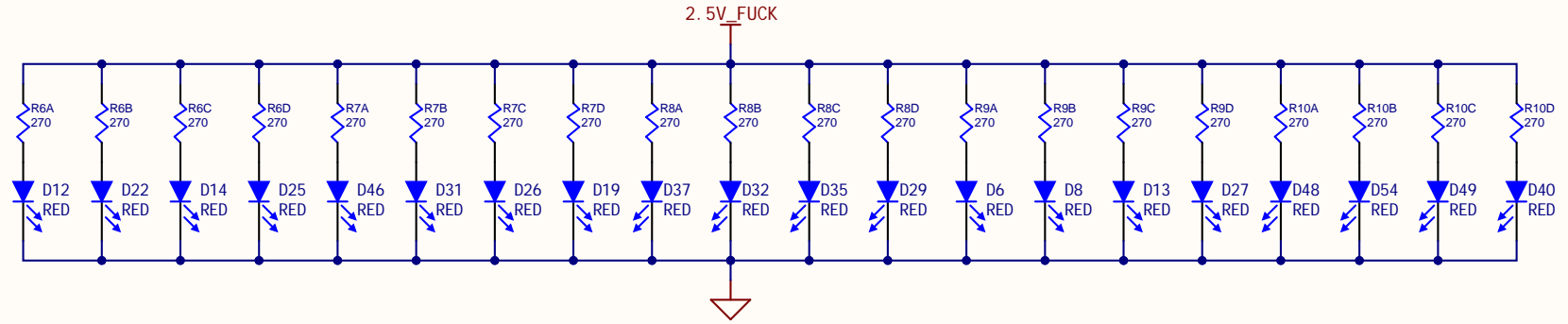
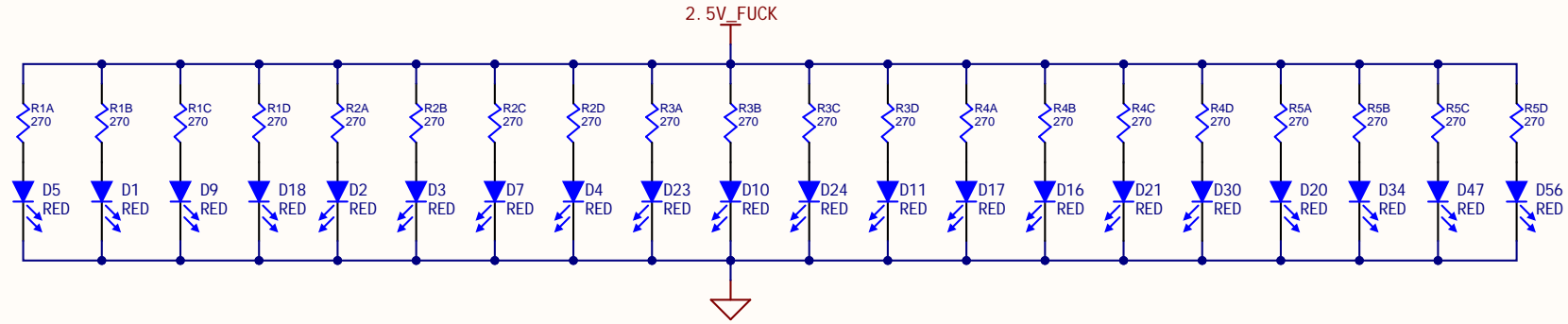
USB TO SERIAL CIRCUIT
 - 3.3V_USB IS OUTPUT FROM CP2102N
 - 5V_USB IS INPUT FROM USB CONN



The Funi corn Power and USB		
Size: A	Number: FUN-0100	Rev: C
Creation Date: 11/23/2019	Created By: C. SUNDRA	
Saved Date: 11/23/2020	Modified By: C. SUNDRA	
File: FU-Power-RevC_SchDoc	Sheet 1 of 5	

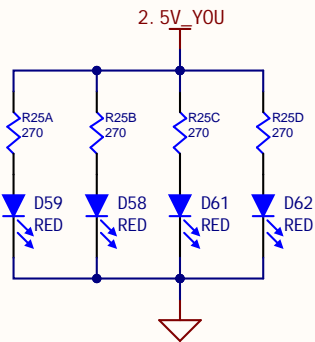
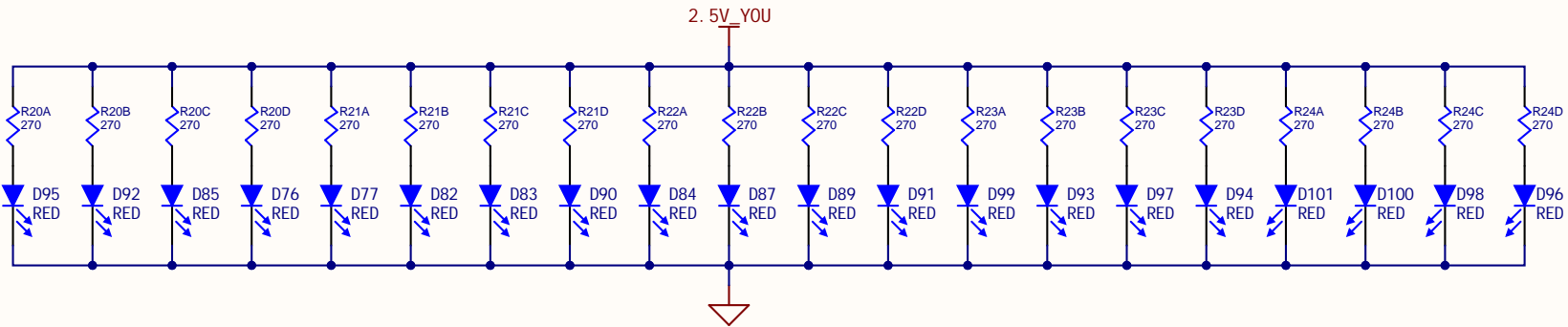
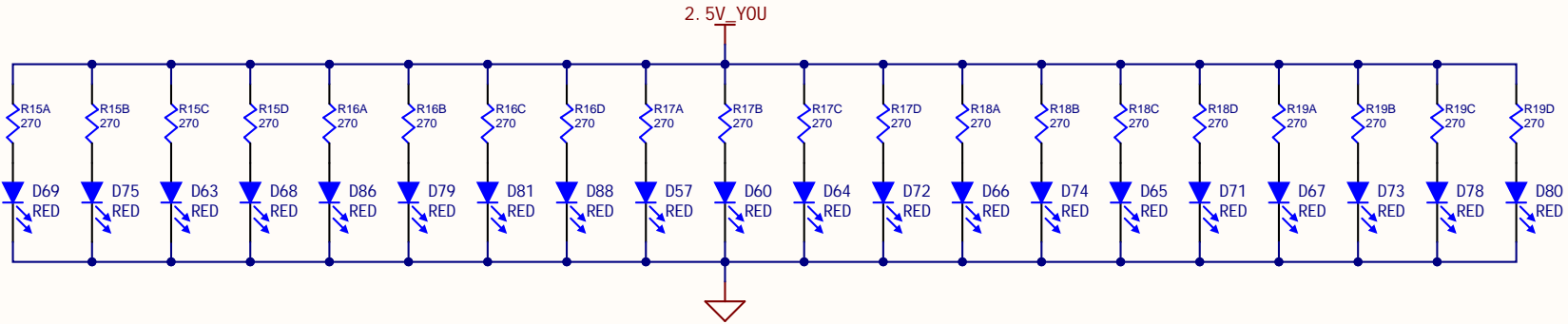
Instagram: @fri volous. ci rcui ts
 Twitter: @fri volous. ci rcs
 YouTube: Alpenglow Industries
 Hackaday: Alpenglow Industries
 www.alpenglowindustries.com





The Unicorn Fuck LEDs		
Size: A	Number: FUN-0100	Rev: C
Creation Date: 11/23/2019	Created By: C. SUNDRA	
Saved Date: 11/23/2020	Modified By: C. SUNDRA	
File: FU-Fuck-RevC_SchDoc	Sheet 3 of 5	

Instagram: @frivolous_circuits
 Twitter: @frivolous_circuits
 YouTube: Alpenglow Industries
 Hackaday: Alpenglow Industries
 www.alpenglowindustries.com

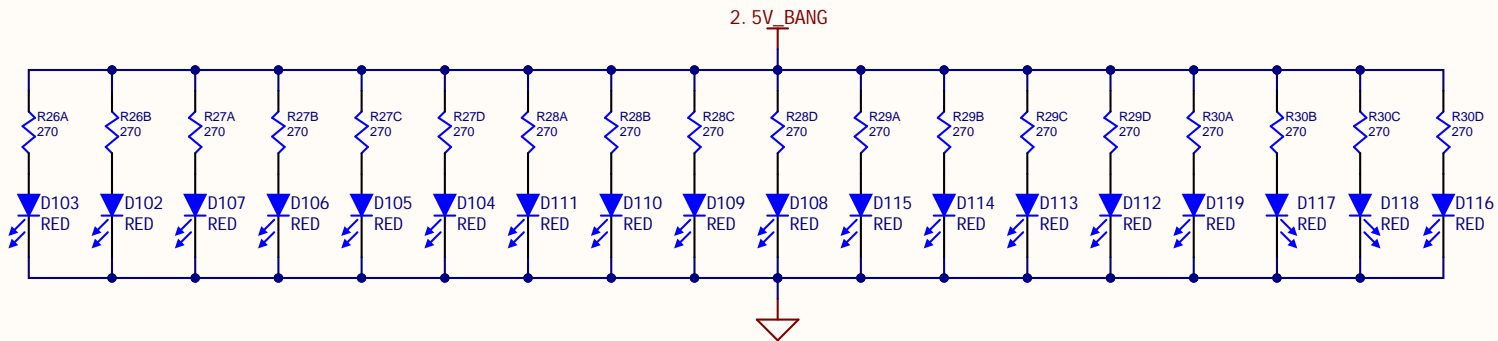


Instagram: @frivolous_circuits
 Twitter: @frivolous_circuits
 YouTube: Alpenglow Industries
 Hackaday: Alpenglow Industries
 www.alpenglowindustries.com



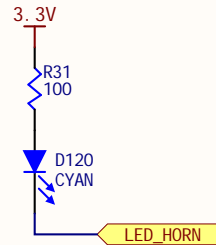
The Funicorn
 You LEDs


Size: A	Number: FUN-0100	Rev: C
Creation Date: 11/23/2019	Created By: C. SUNDRA	
Saved Date: 11/23/2020	Modified By: C. SUNDRA	
File: FU-You-RevC_SchDoc	Sheet 4 of 5	



All LEDs red and $V_f = 1.8 - 2.0V$
 excepting Horn LED, $V_f = 2.8 - 3.0V$

270 ohm resistors = 2-3 mA/ red LED
 100 ohm resistor = 5 mA cyan LED



	The FUni corn Bang and Uni corn Horn LEDs		
	Size: A	Number: FUN-0100	Rev: C
	Creation Date: 11/23/2019	Created By: C. SUNDRA	
	Saved Date: 11/23/2020	Modified By: C. SUNDRA	
	File: FU-BangUni corn-RevC. SchDoc		Sheet 5 of 5

Instagram: @frivolous_circuits
 Twitter: @frivolous_circuits
 YouTube: Alpenglow Industries
 Hackaday: Alpenglow Industries
 www.alpenglowindustries.com