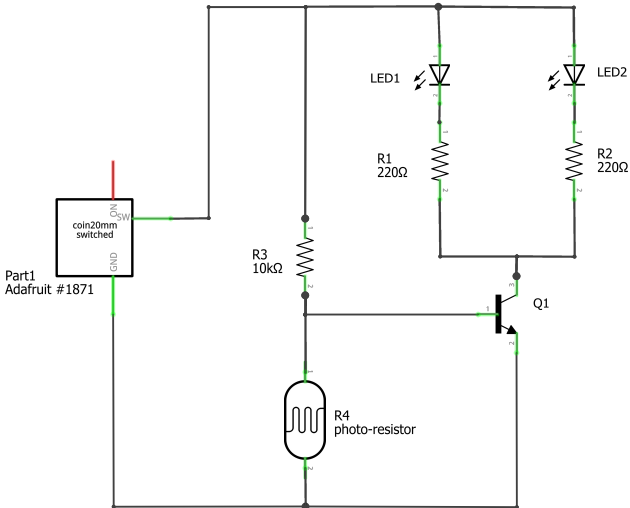


Battery + (3.0V)



Battery - (GND)