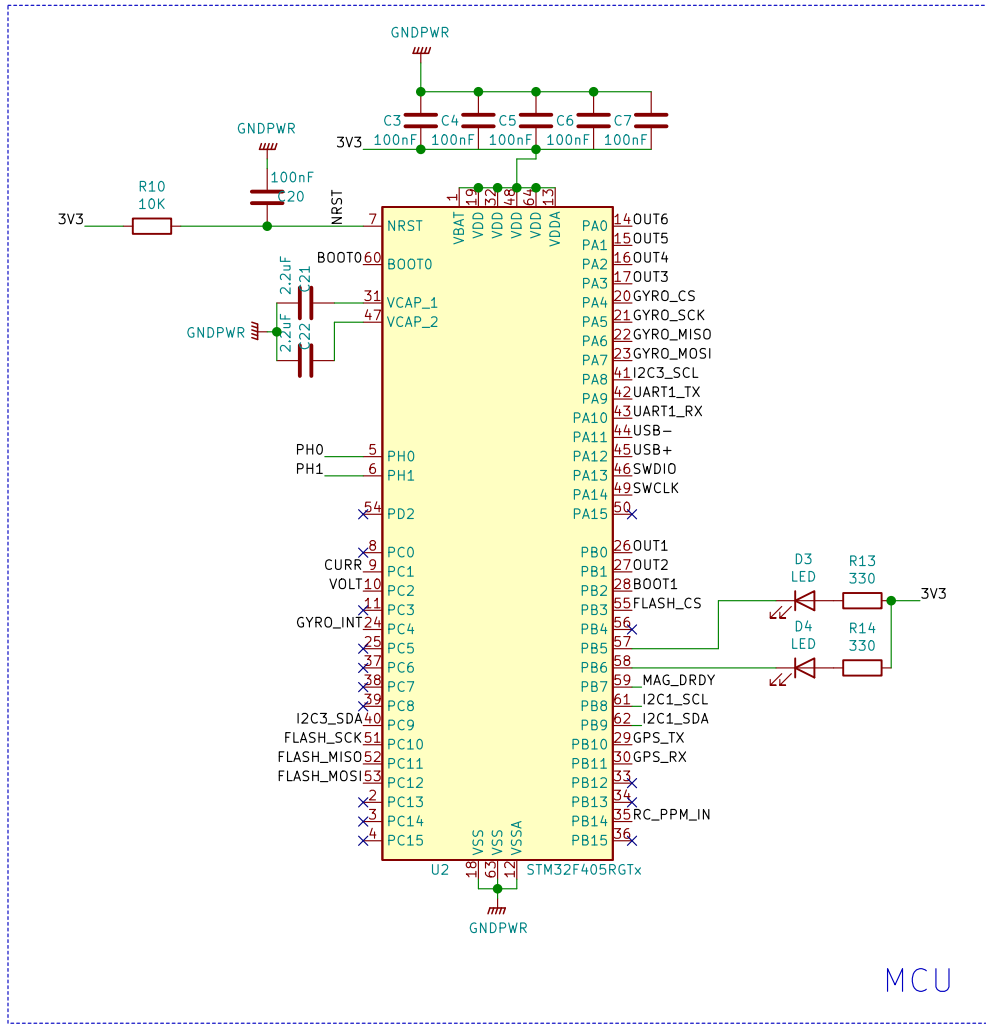
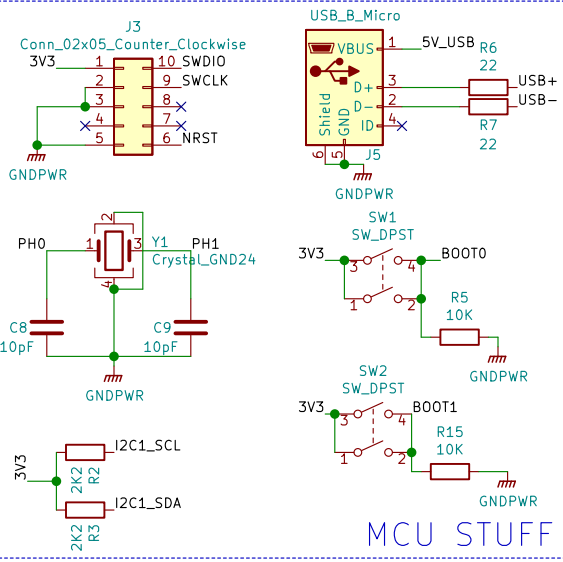


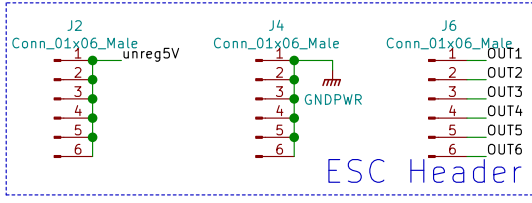
PWR



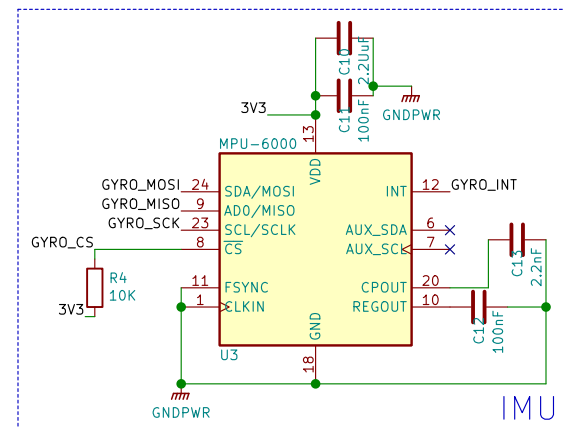
MCU



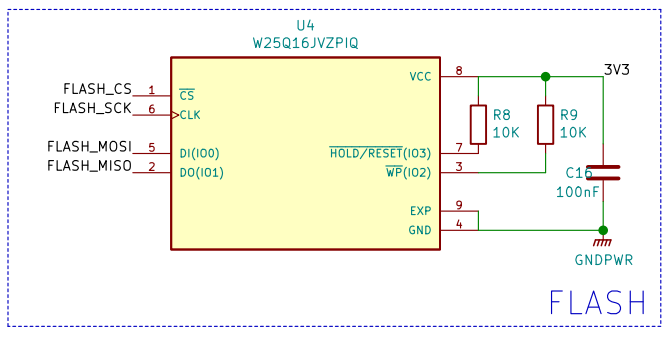
MCU STUFF



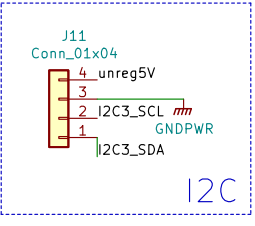
ESC Header



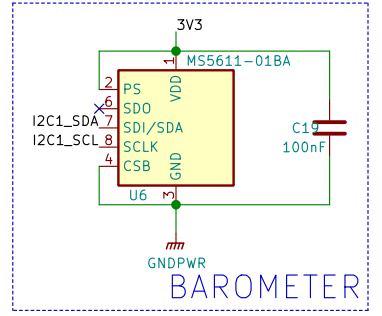
IMU



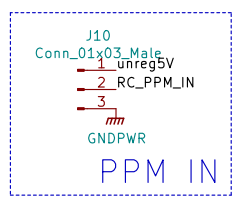
FLASH



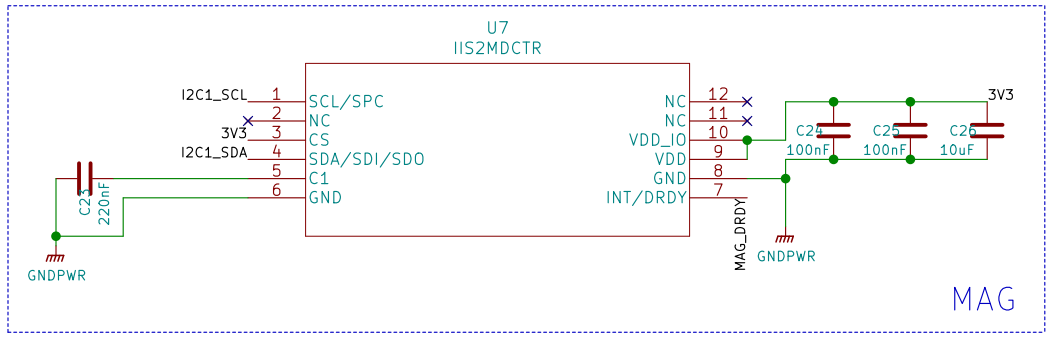
I2C



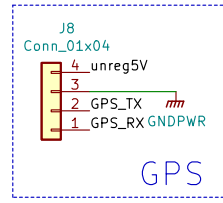
BAROMETER



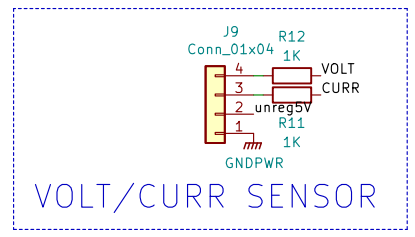
PPM IN



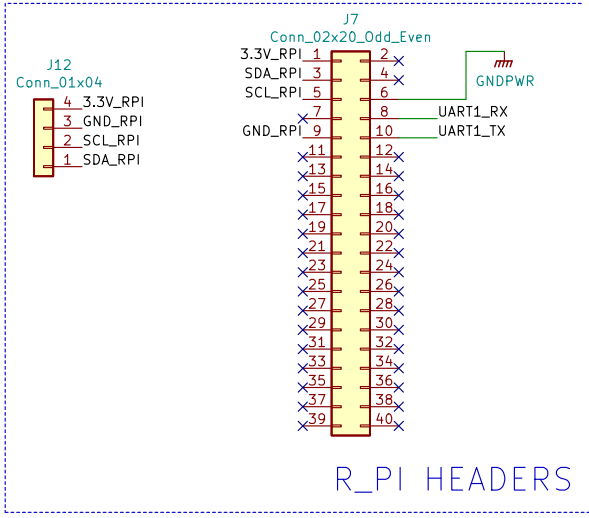
MAG



GPS



VOLT/CURR SENSOR



R_PI HEADERS