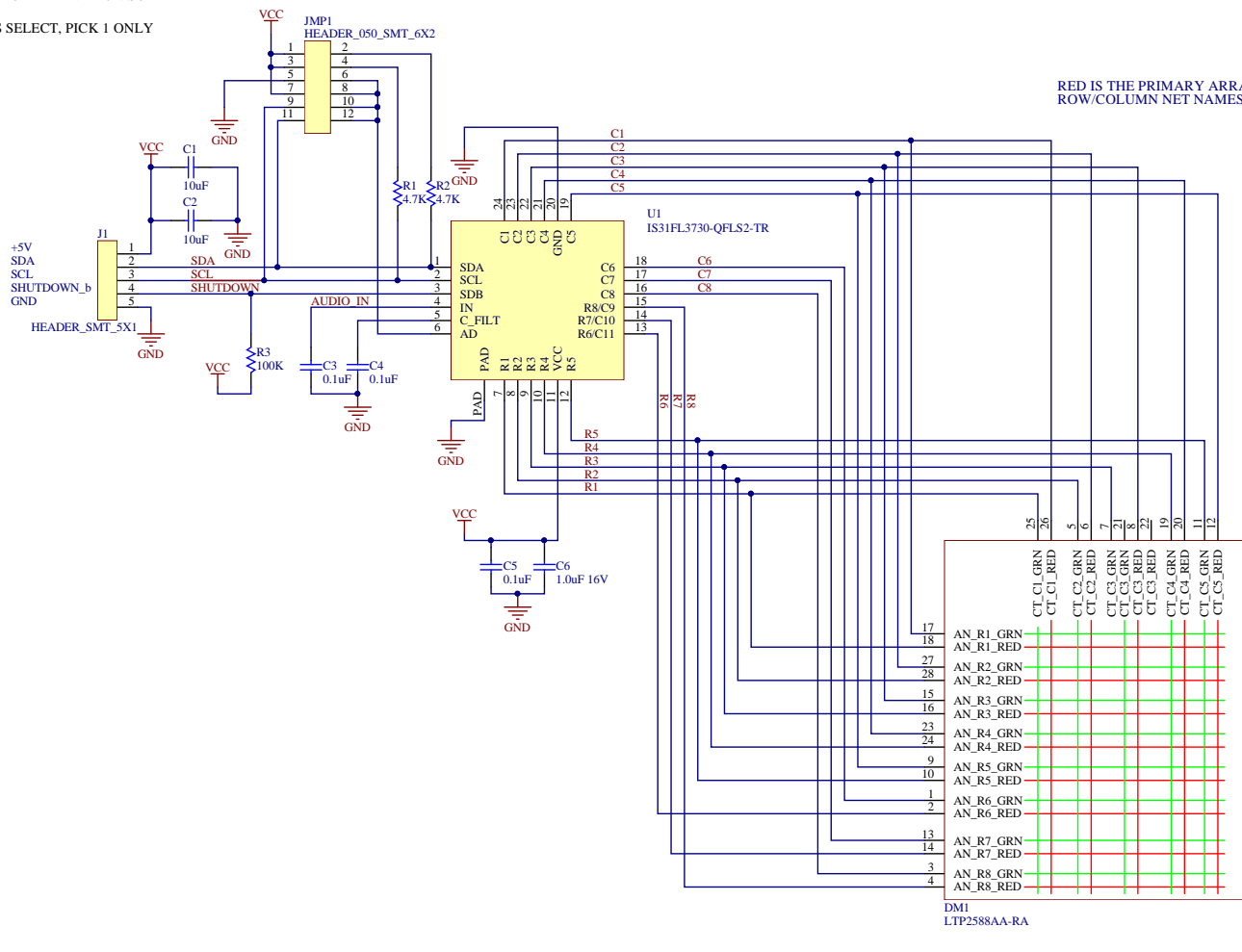
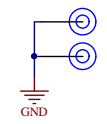


JMP1  
 i2c BUS TERMINATION, PICK BOTH OR  
 NEITHER  
 1-2 ENABLE I2C TERMINATION SDA  
 3-4 ENABLE I2C TERMINATION SCL  
 I2C ADDRESS SELECT, PICK 1 ONLY  
 5-6 0XC0  
 7-8 0XC6  
 9-10 0XC2  
 11-12 0XC4

RED IS THE PRIMARY ARRAY  
 ROW/COLUMN NET NAMES WRT RED ARRAY



JUMPER BLOCKS FOR TERMINATOR  
 AND ADDRESS SELECT  
 SB1  
 SHUNT\_050\_B  
 SB2  
 SHUNT\_050\_B  
 SB3  
 SHUNT\_050\_B



Title <b>LiteOn Matrix Single Driver</b>		
Size B	Number	Revision <b>1.0</b>
Date: 8/4/2020	Sheet_1_of_1	
File: C:\Bob\...SingleDriver1.SchDoc	Drawn By: Bob Harbour	