

1

2

3

4

5

6

A

A

B

B

C

C

D

D

1

2

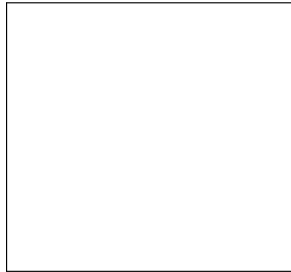
3

4

5

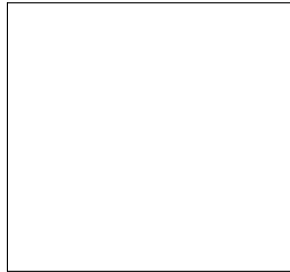
6

Sheet: Sheet 1



File: A300320-R230720-1.sch

Sheet: Sheet 2



File: A300320-R230720-2.sch

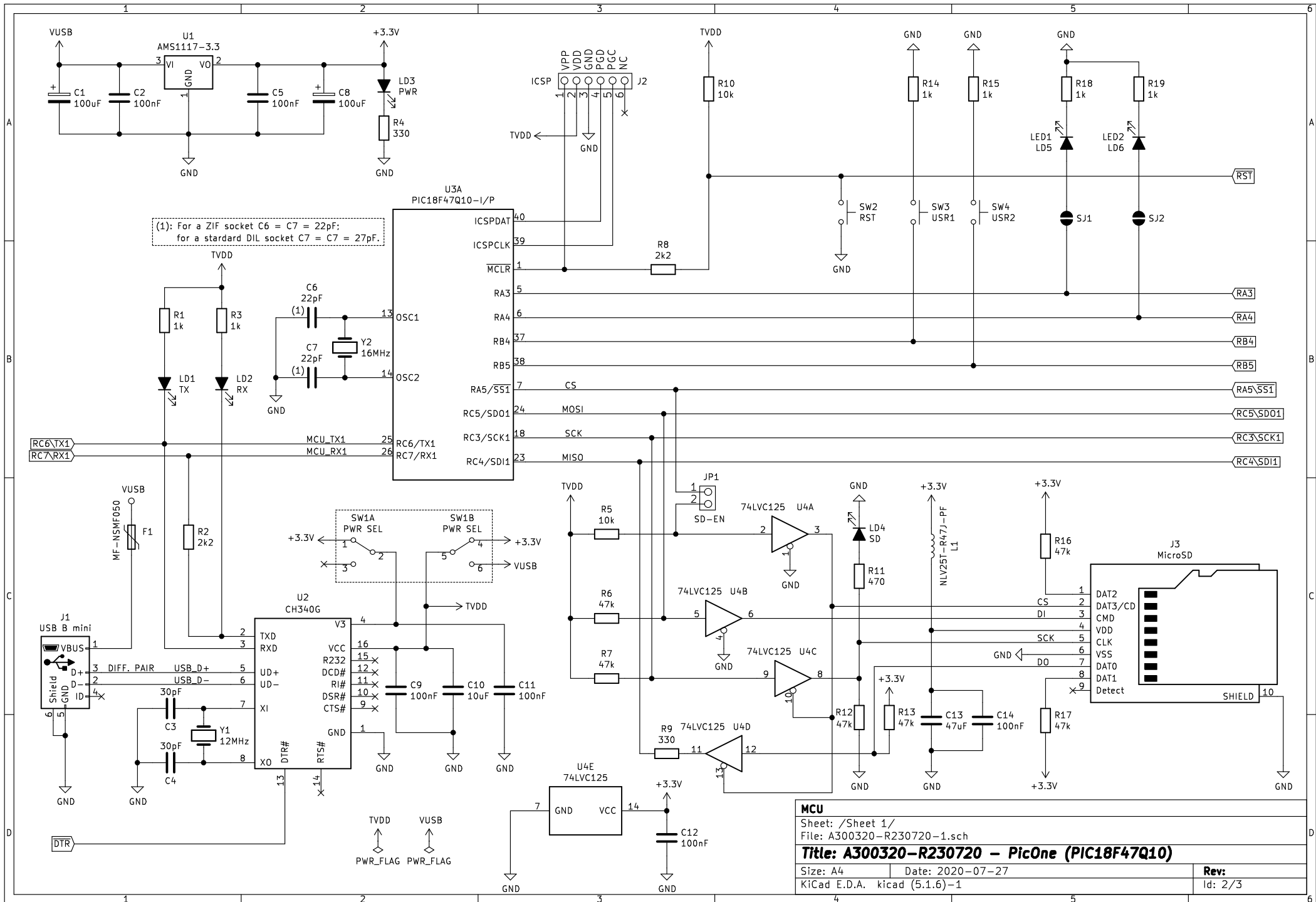
Sheet: /  
File: A300320-R230720.sch

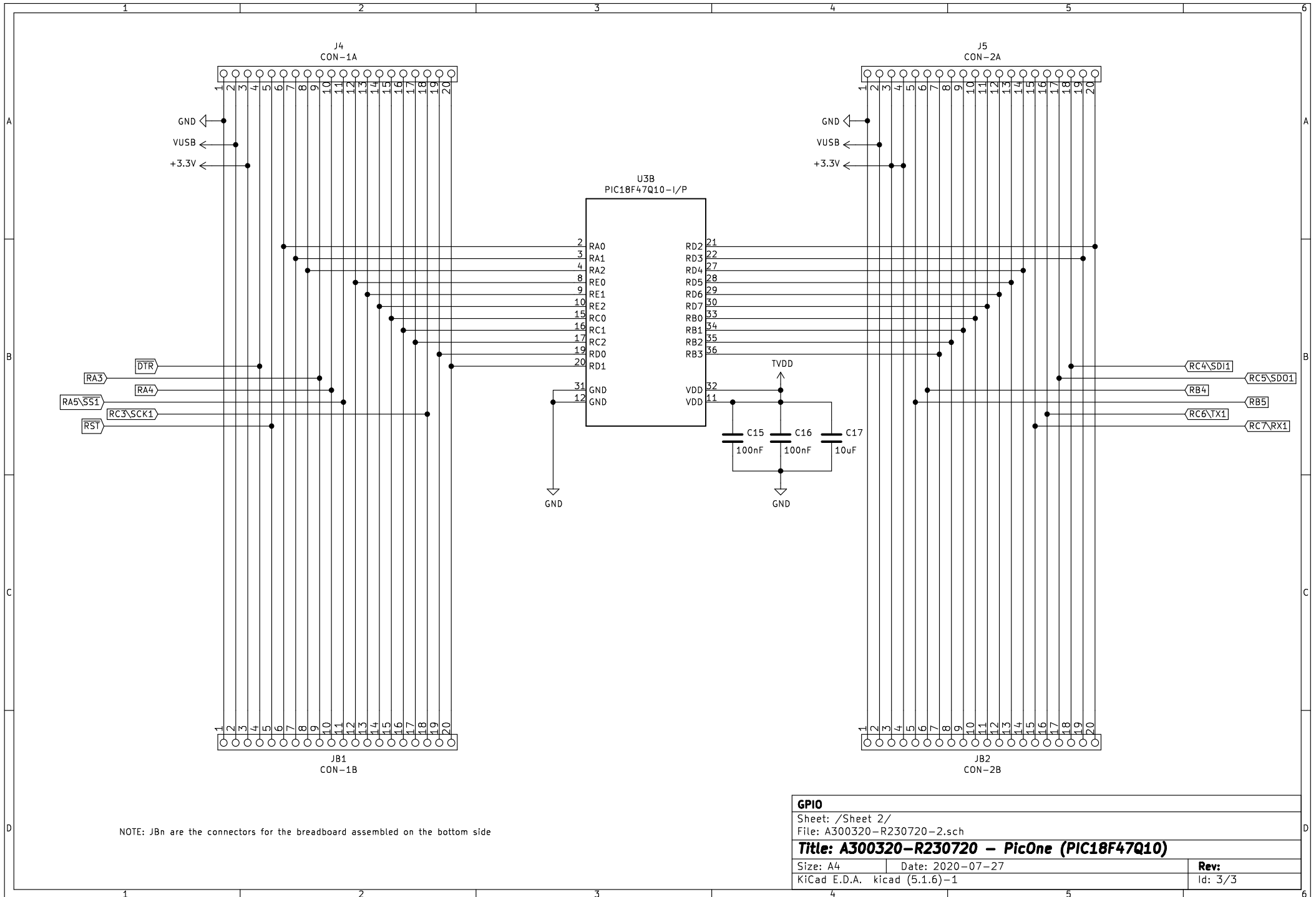
**Title: A300320-R230720 - PicOne (PIC18F47Q10)**

Size: A4 Date: 2020-07-27

KiCad E.D.A. kicad (5.1.6)-1

Rev:  
Id: 1/3





NOTE: JBn are the connectors for the breadboard assembled on the bottom side

|  |                  |         |
|--|------------------|---------|
| <b>GPIO</b>  |                  |         |
| Sheet: /Sheet 2/                                     |                  |         |
| File: A300320-R230720-2.sch                          |                  |         |
| <b>Title: A300320-R230720 - PicOne (PIC18F47Q10)</b> |                  |         |
| Size: A4   | Date: 2020-07-27 | Rev:    |
| KiCad E.D.A. kicad (5.1.6)-1                         |                  | Id: 3/3 |