

1

2

3

4

A

A

B

B

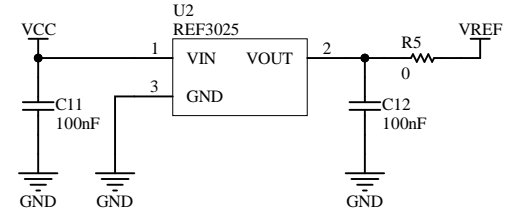
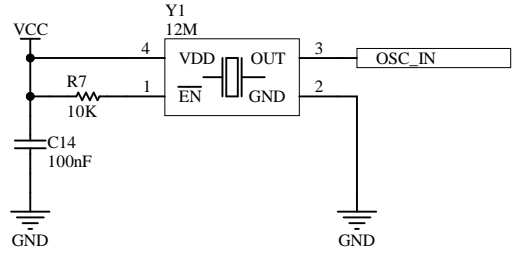
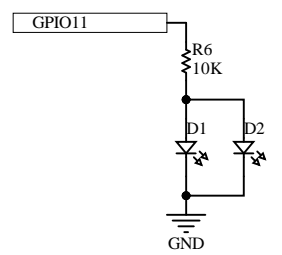
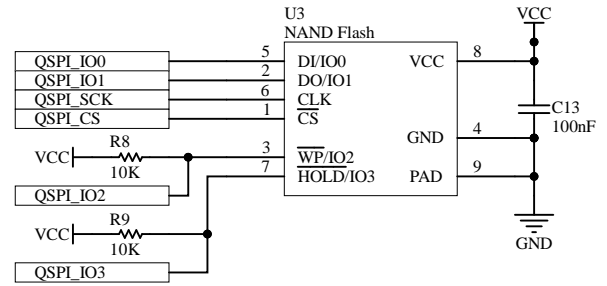
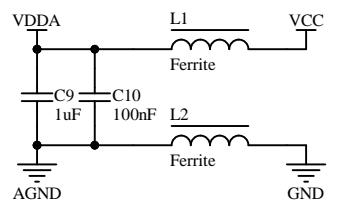
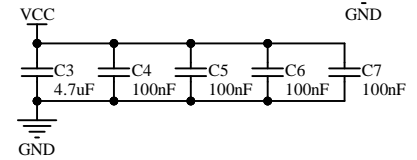
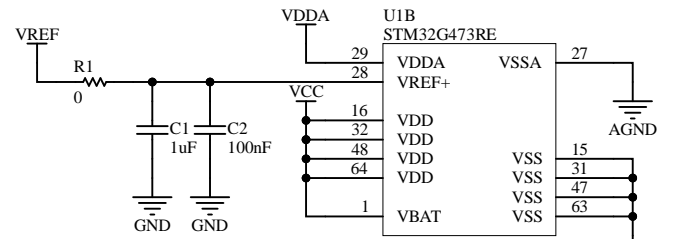
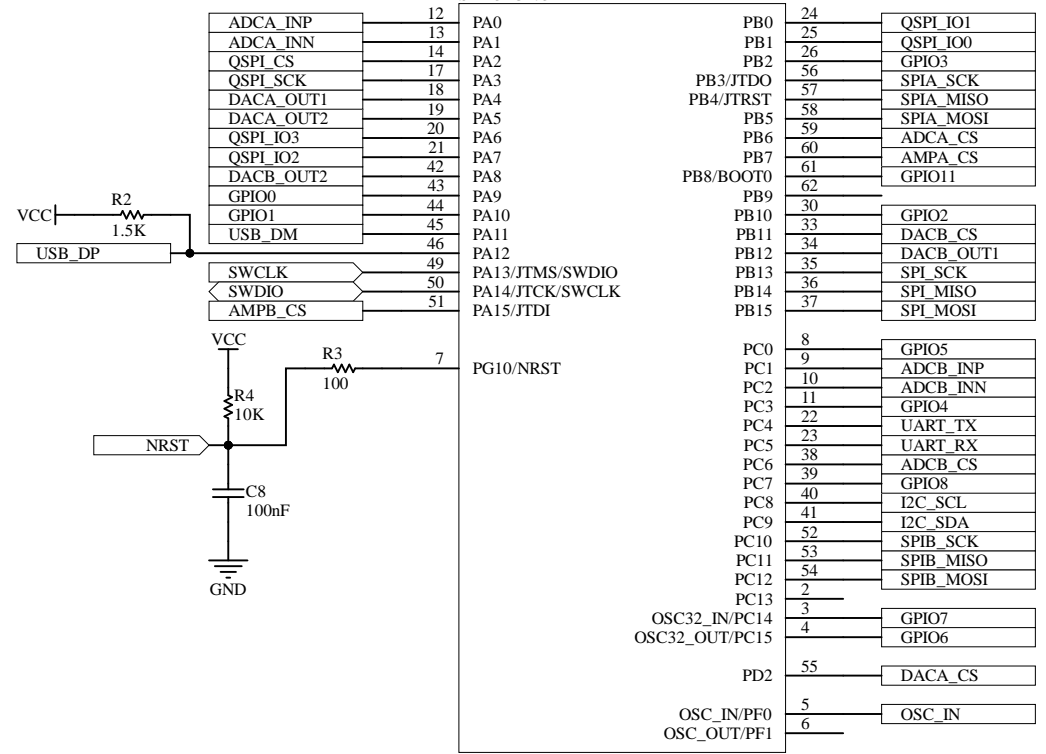
C

C

D

D

U1A
STM32G473RE



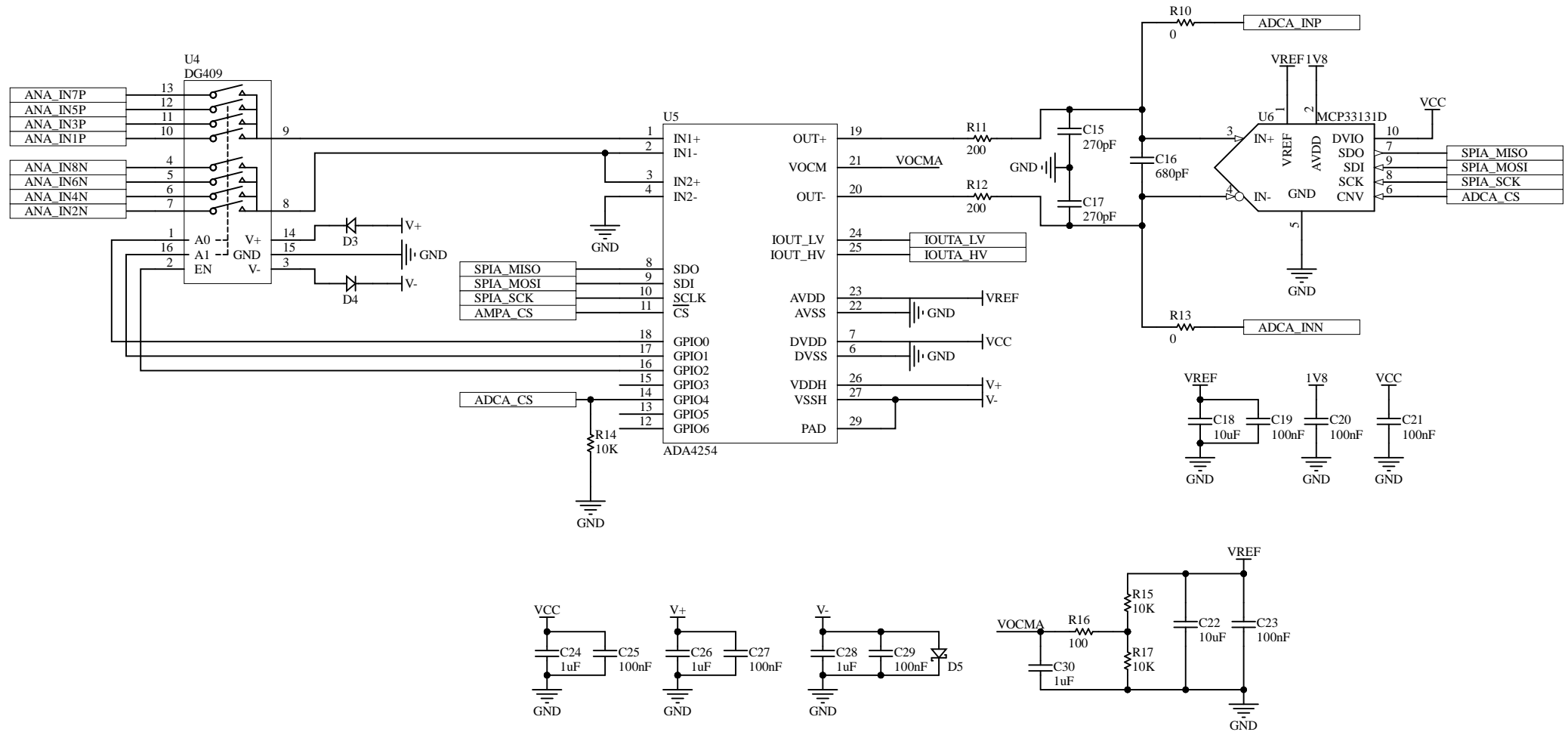
Title STM32G4DAQ			
Size: A4	Number: 1	Revision: V1	
Date: 26/05/2020	Time: 13:24:25	Sheet 1 of 8	

1

2

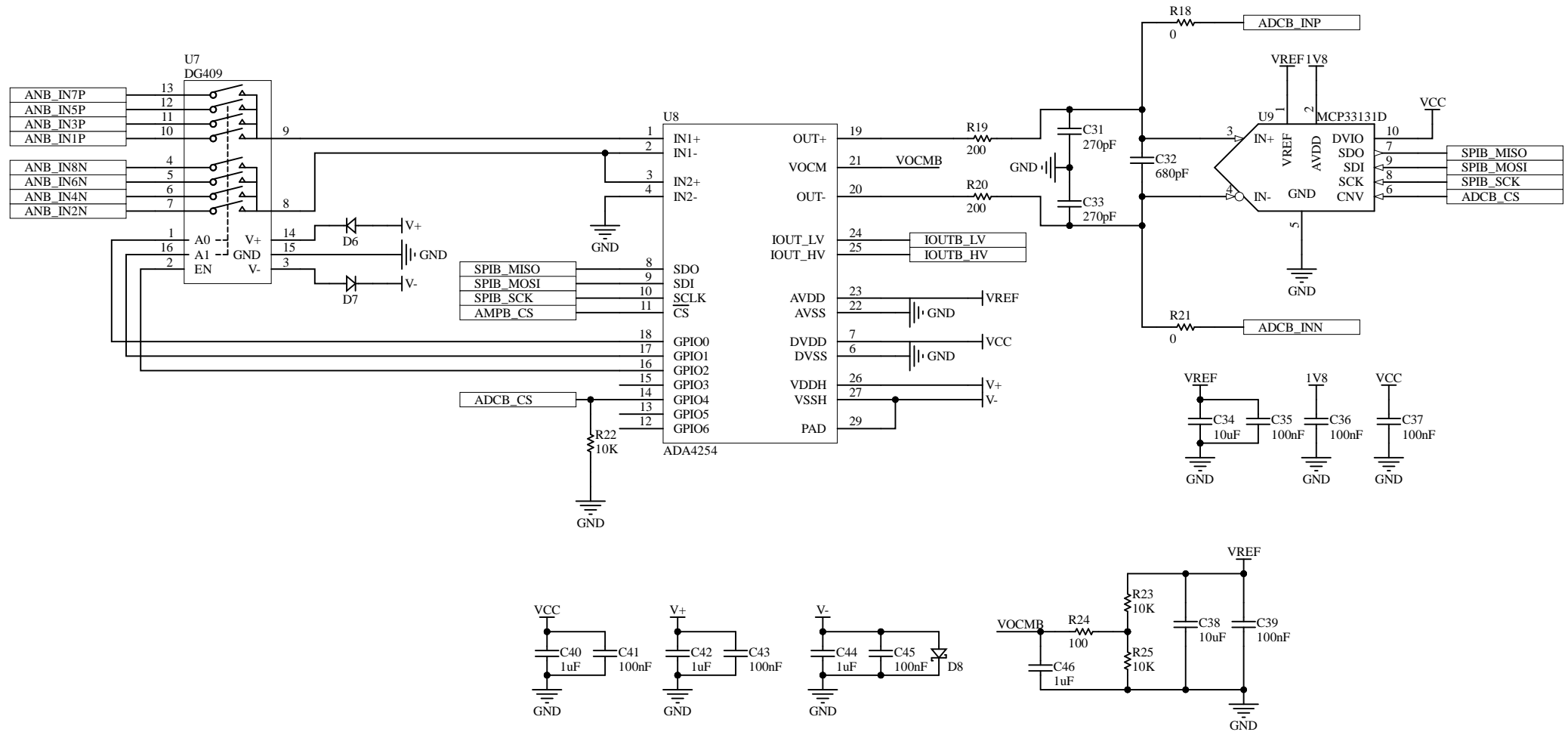
3

4



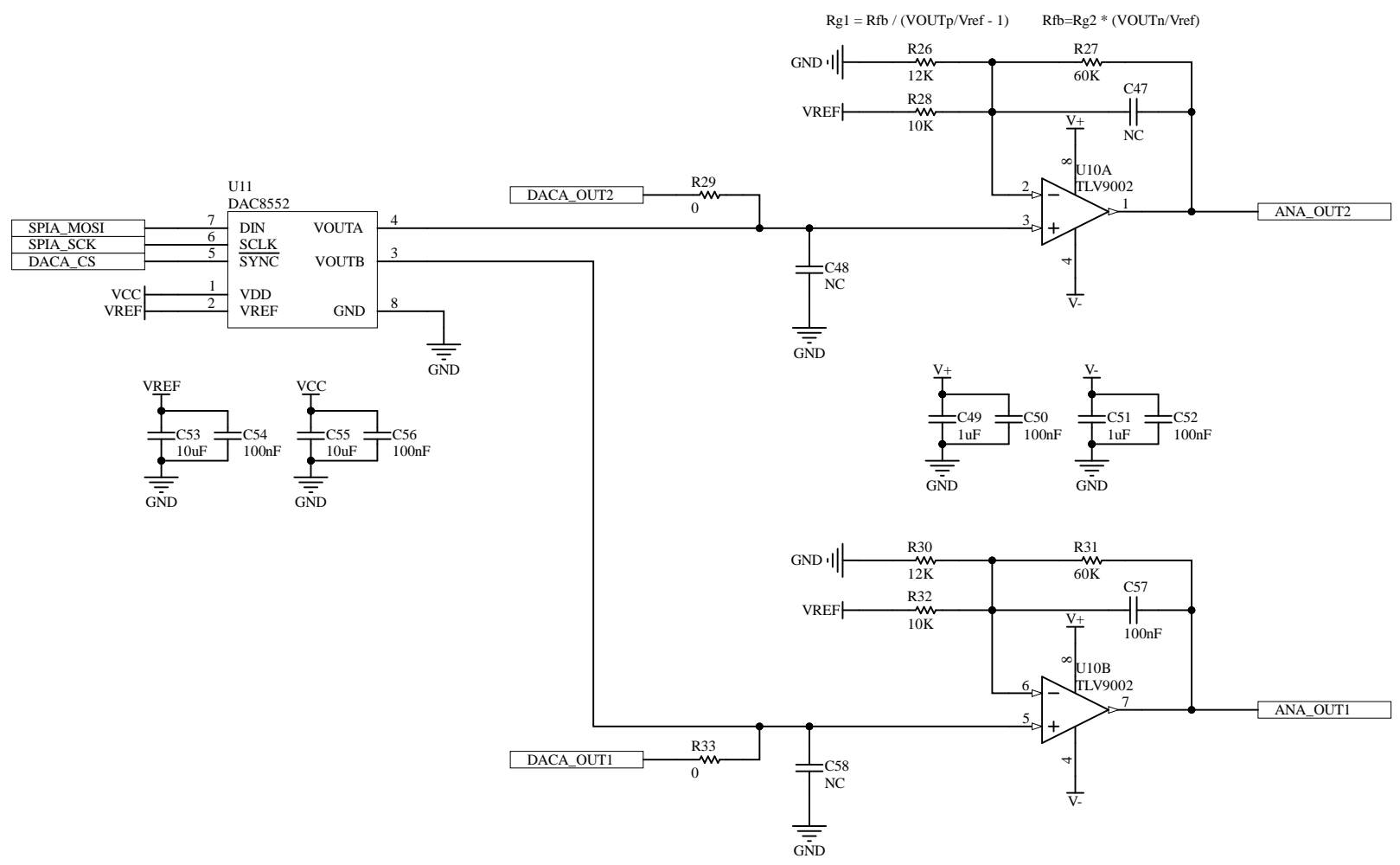
Title STM32G4DAQ		
Size: A4	Number: 2	Revision: V1
Date: 26/05/2020	Time: 13:24:25	Sheet 2 of 8





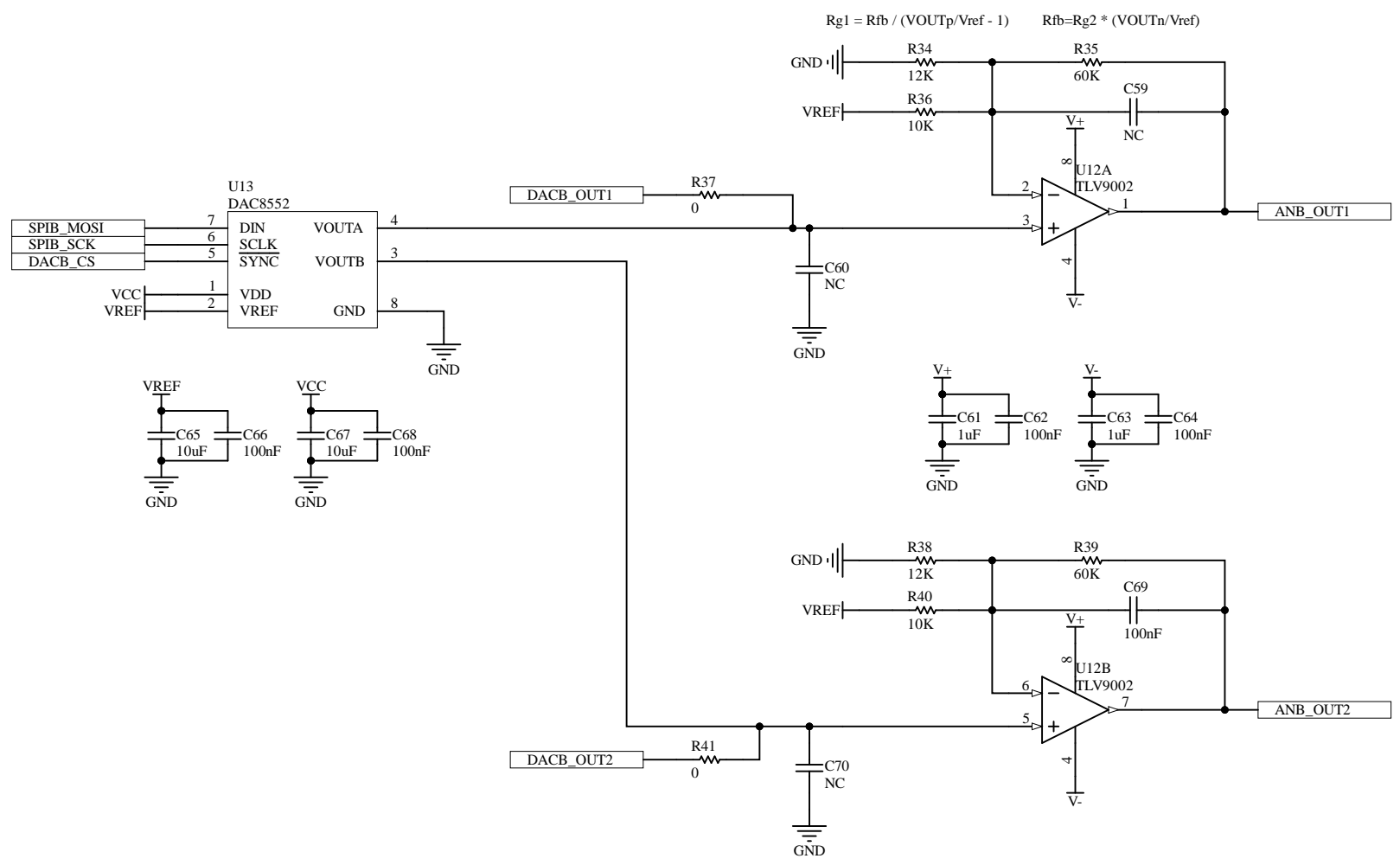
Title STM32G4DAQ		
Size: A4	Number: 3	Revision: V1
Date: 26/05/2020	Time: 13:24:25	Sheet 3 of 8





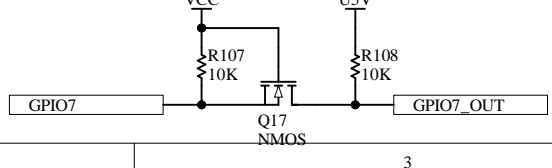
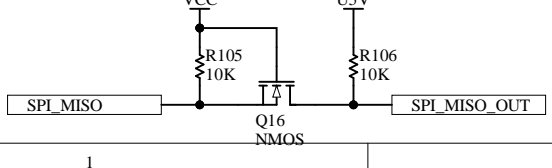
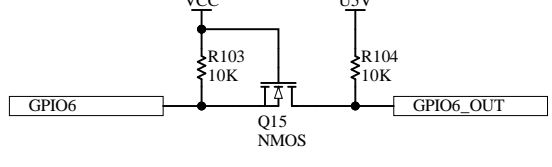
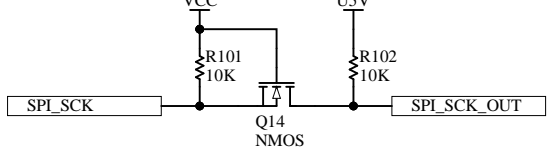
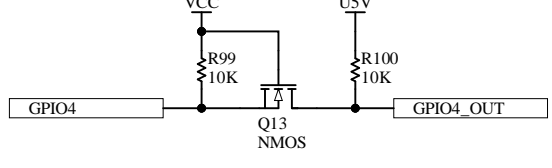
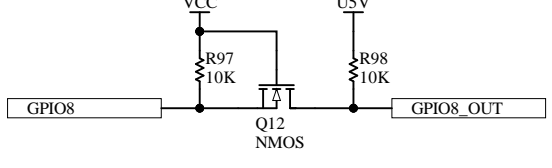
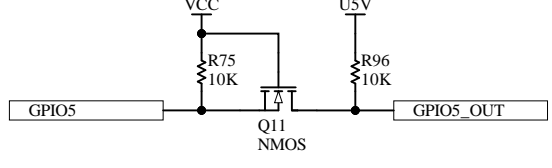
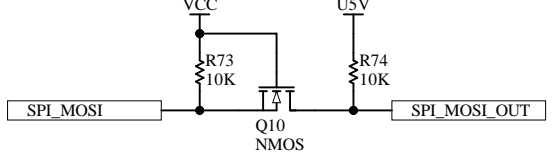
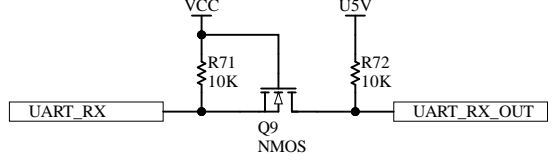
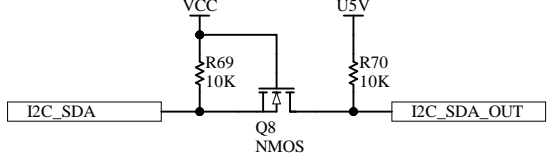
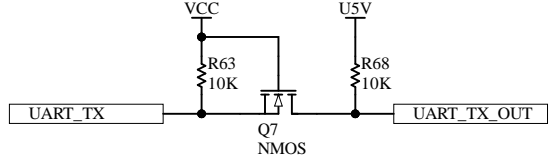
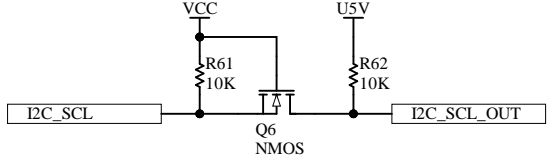
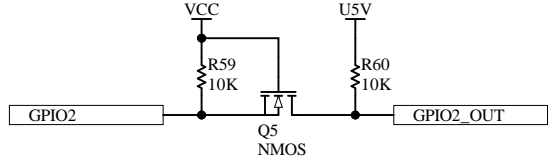
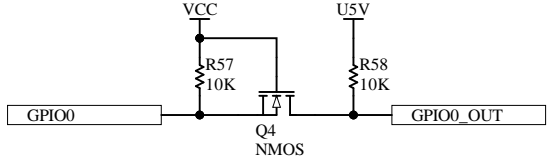
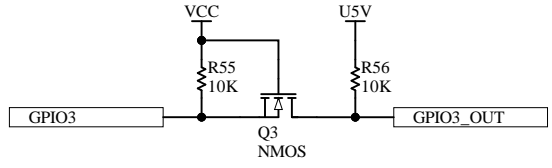
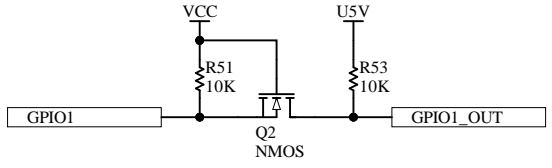
Title STM32G4DAQ		
Size: A4	Number:4	Revision:V1
Date: 26/05/2020	Time: 13:24:26	Sheet 4 of 8





Title STM32G4DAQ		
Size: A4	Number: 5	Revision: V1
Date: 26/05/2020	Time: 13:24:26	Sheet 5 of 8





Title STM32G4DAQ		
Size: A4	Number: 6	Revision: V1
Date: 26/05/2020	Time: 13:24:26	Sheet 6 of 8

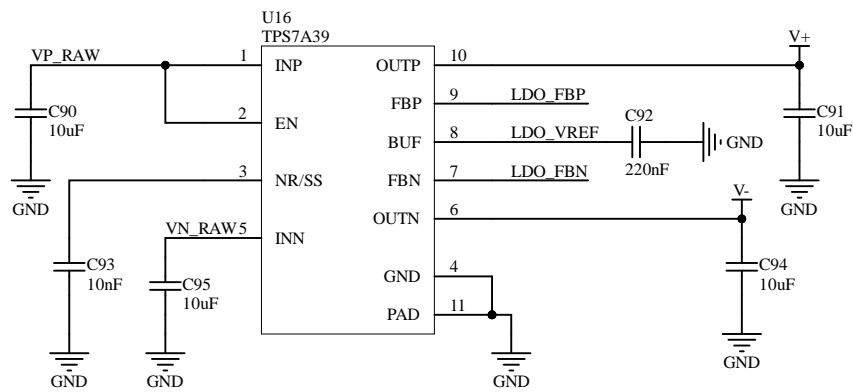
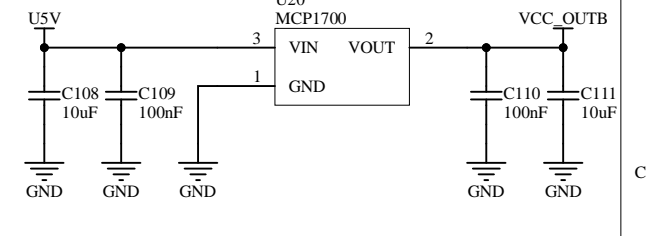
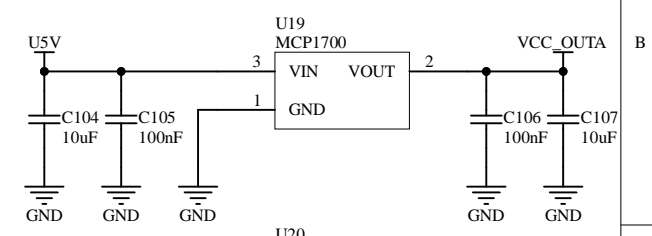
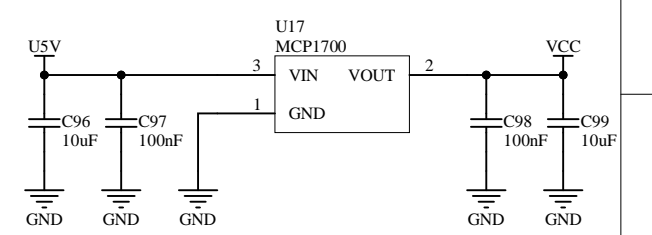
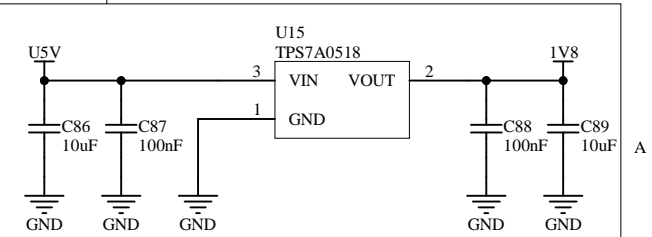
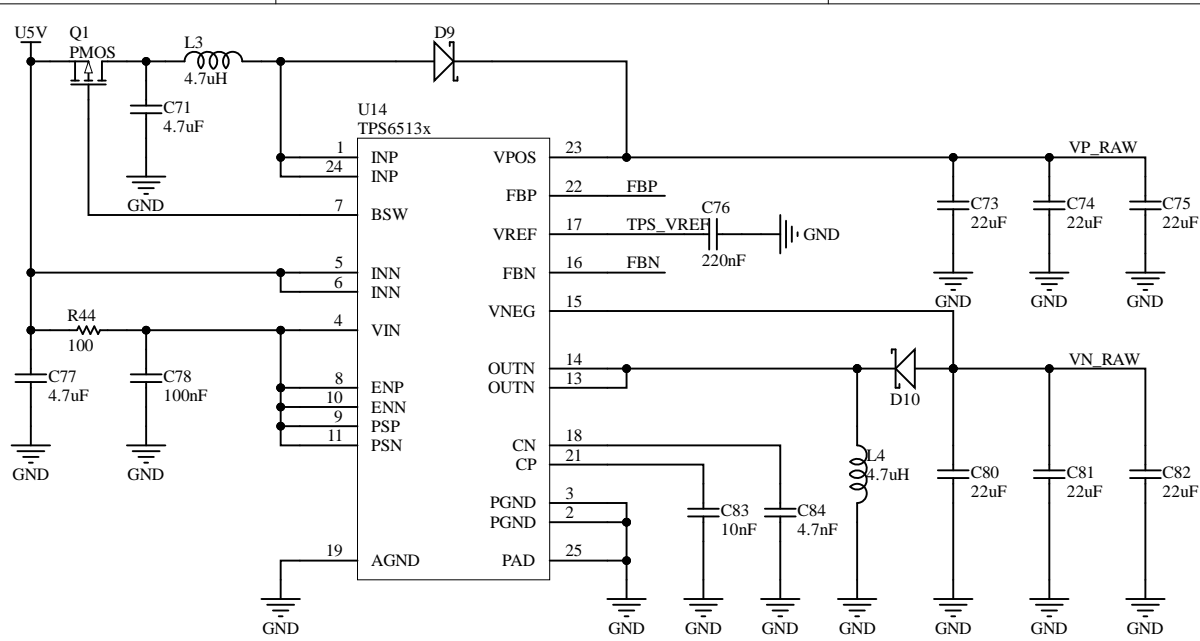
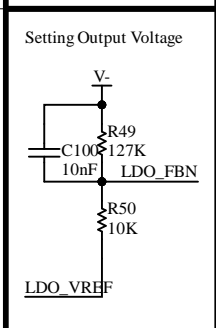
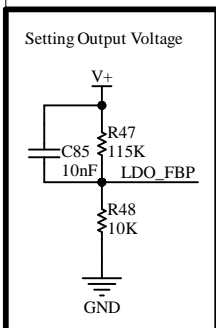
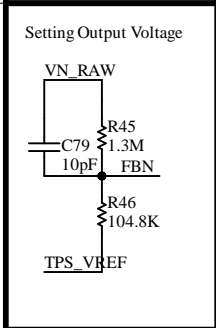
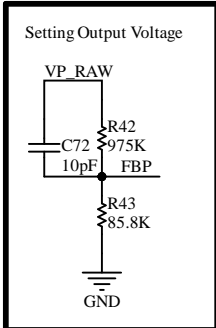


1

2

3

4



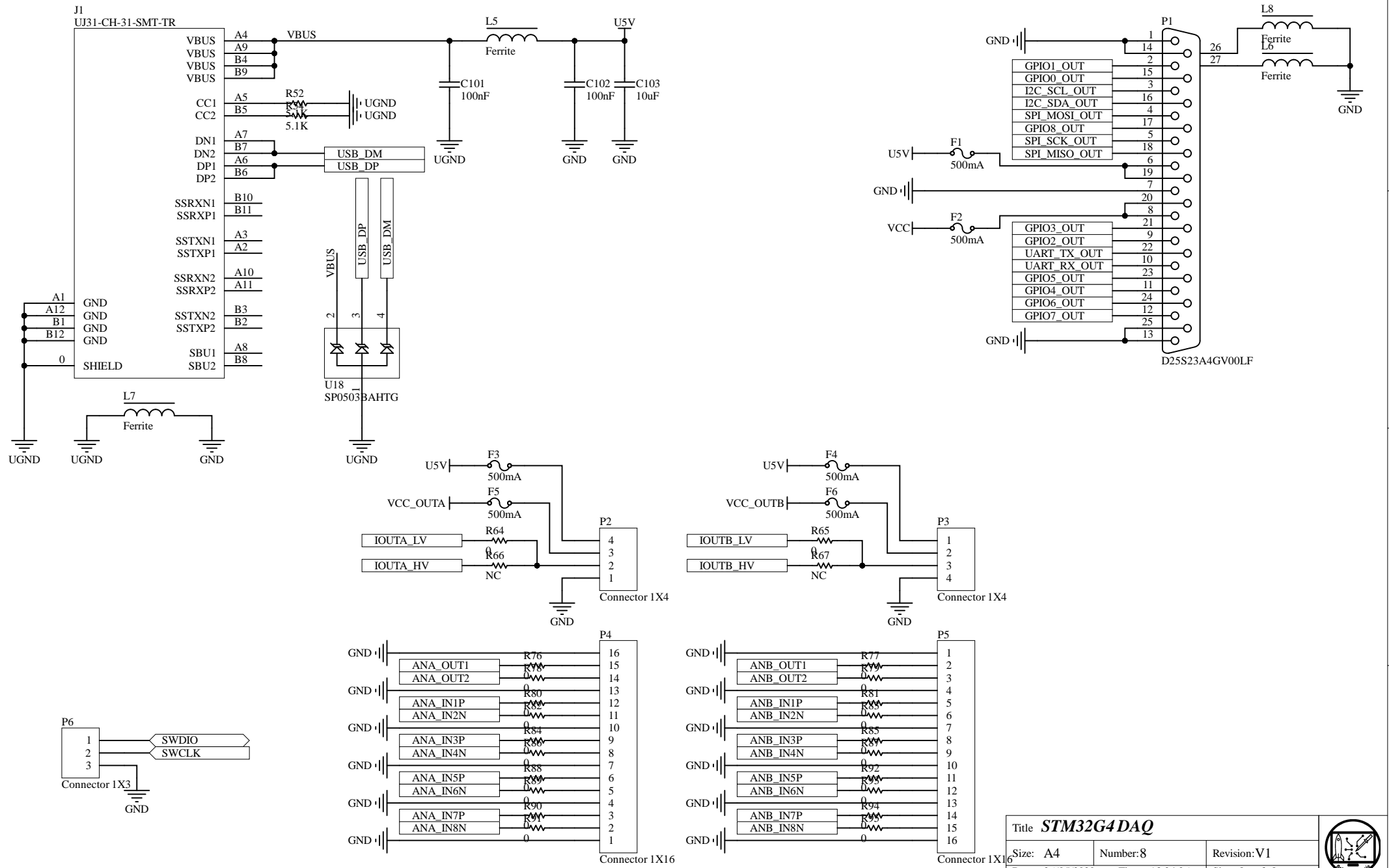
Title STM32G4DAQ			
Size: A4	Number: 7	Revision: V1	
Date: 26/05/2020	Time: 13:24:26	Sheet 7 of 8	

1

2

3

4



Title STM32G4 DAQ			
Size: A4	Number: 8	Revision: V1	
Date: 26/05/2020	Time: 13:24:26	Sheet 8 of 8	