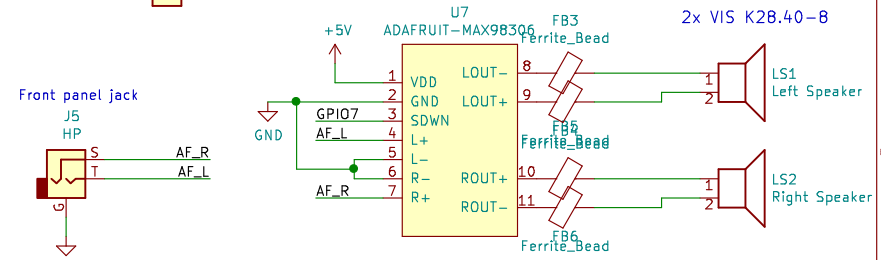
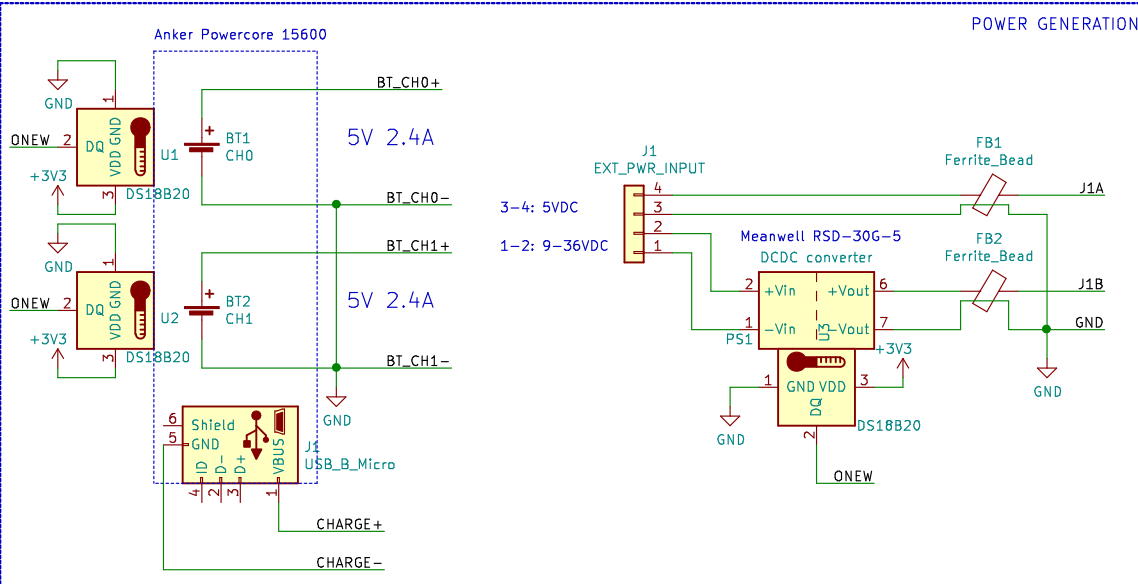
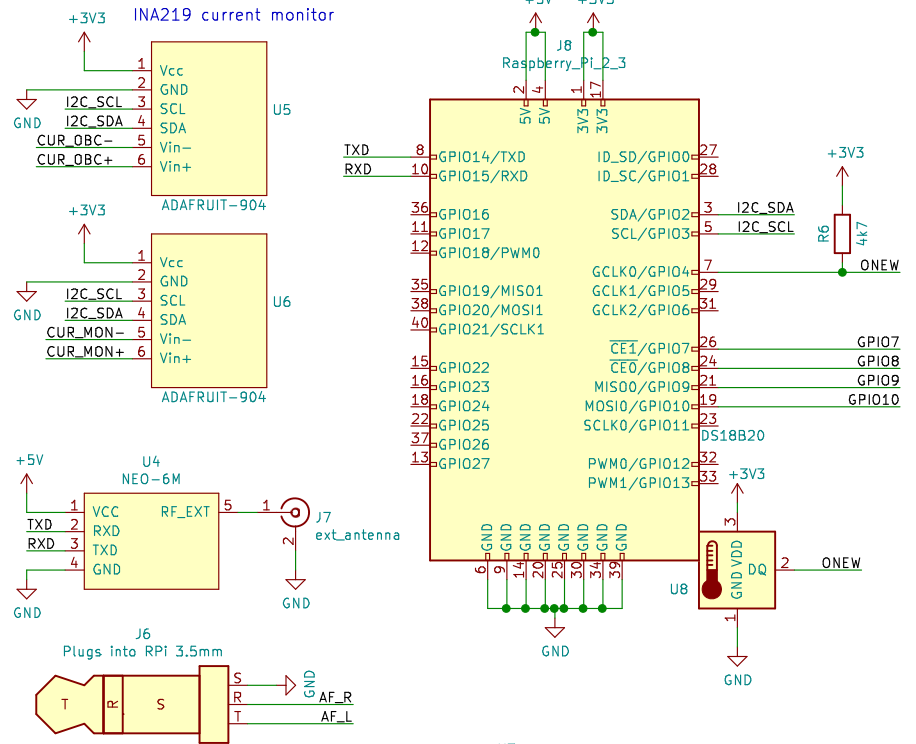
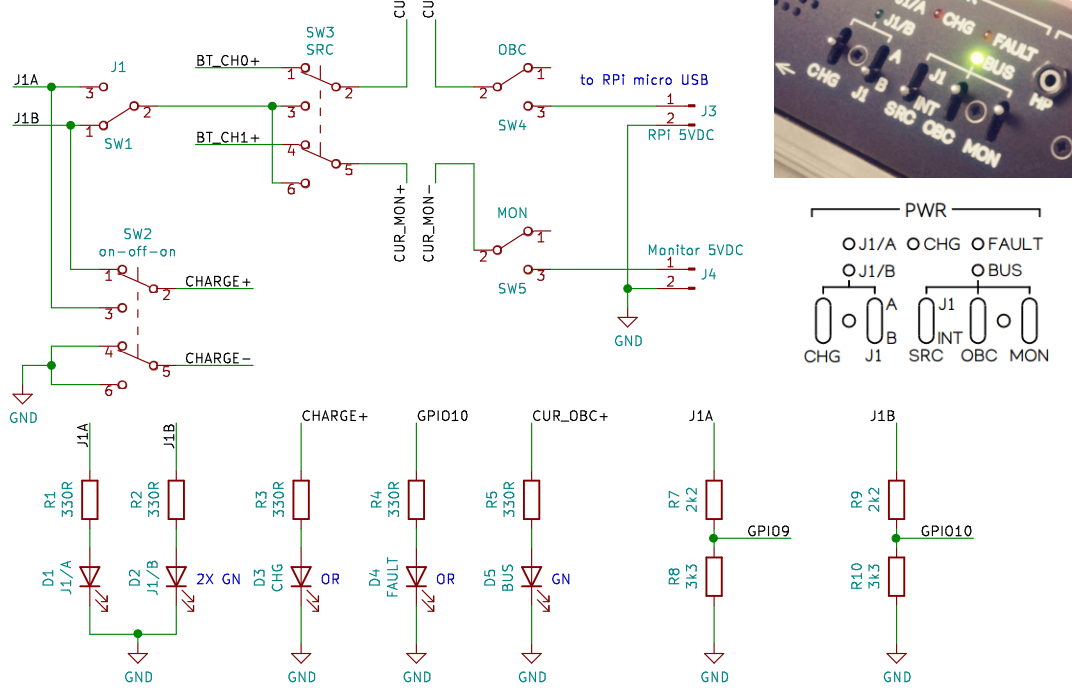


POWER SWITCHING, ROUTING AND SIGNALING



Note:  
Remove SDWN line pullup resistor on the PCB  
Otherwise Rpi pin 7 will be pulled to +5V!

Sheet: /  
File: cyberdeck\_schematics.sch

Title:

Size: A4 Date:  
KiCad E.D.A. eeschema 5.1.6-c6e7f7d87ubuntu18.04.1

Rev:  
Id: 1/1