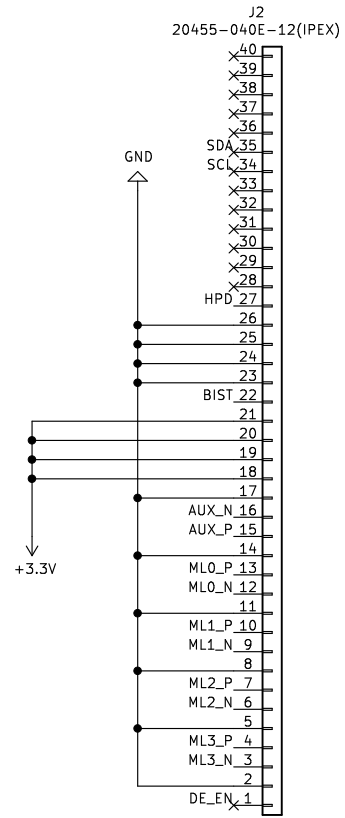
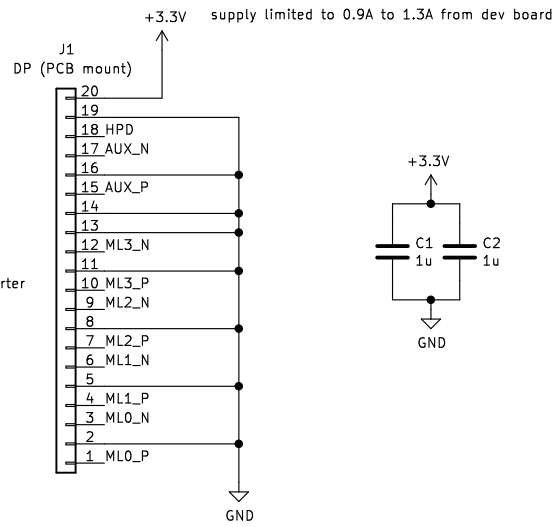


source side connector
take from DP-HDMI converter



Sheet: /
File: eDP_adaptor_board.sch

Title:

Size: A4
KiCad E.D.A. kicad (5.1.6)-1

Date:

Rev:
Id: 1/1