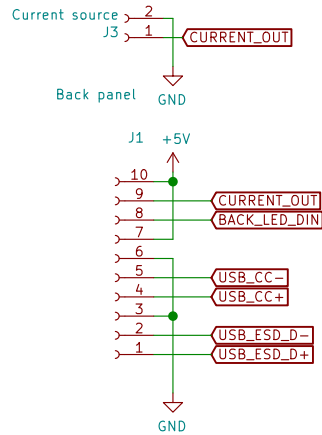
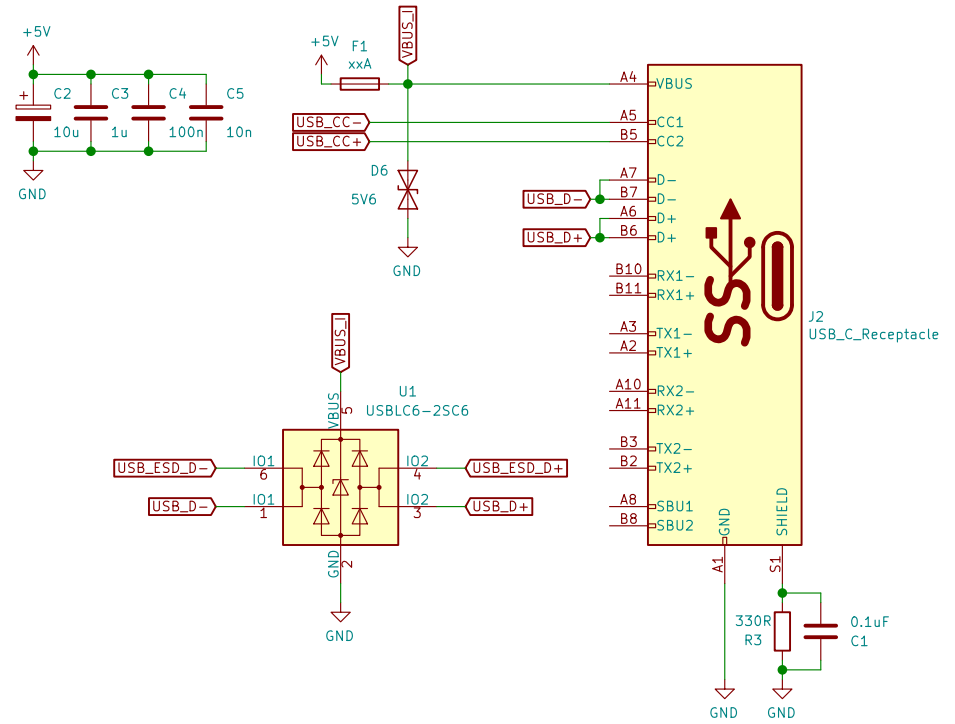


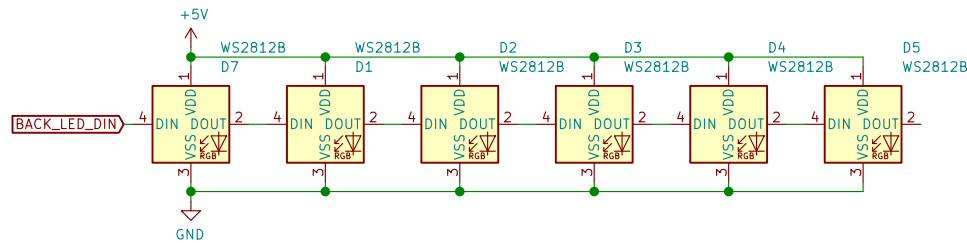
Konektory



USB konektor a filtrace



Adresovatelné LED



| | |
|---|----------|
| Vojtěch Vosáhlo | |
| Sheet: / | |
| File: vnitri_deska_zadni.sch | |
| Title: MIDIControl – zadní deska | |
| Size: A4 | Date: |
| KiCad E.D.A. kicad (5.1.2)–2 | Rev: 1.0 |
| | Id: 1/1 |