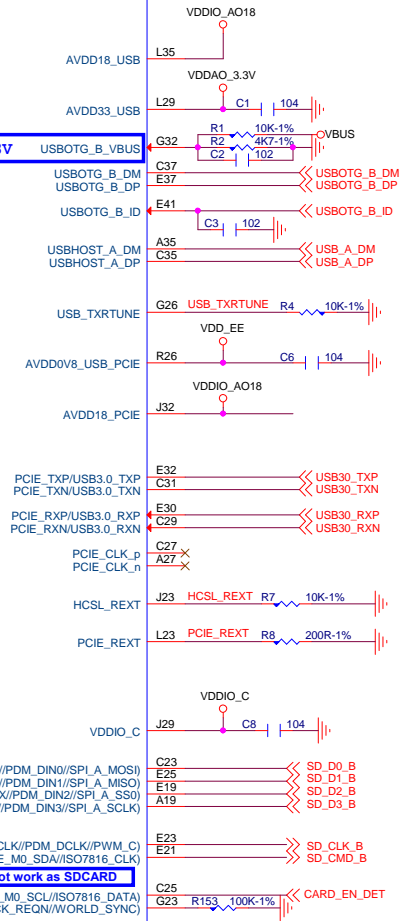


# 02 CPU01

U1E

LIB VER: 2018-01-05

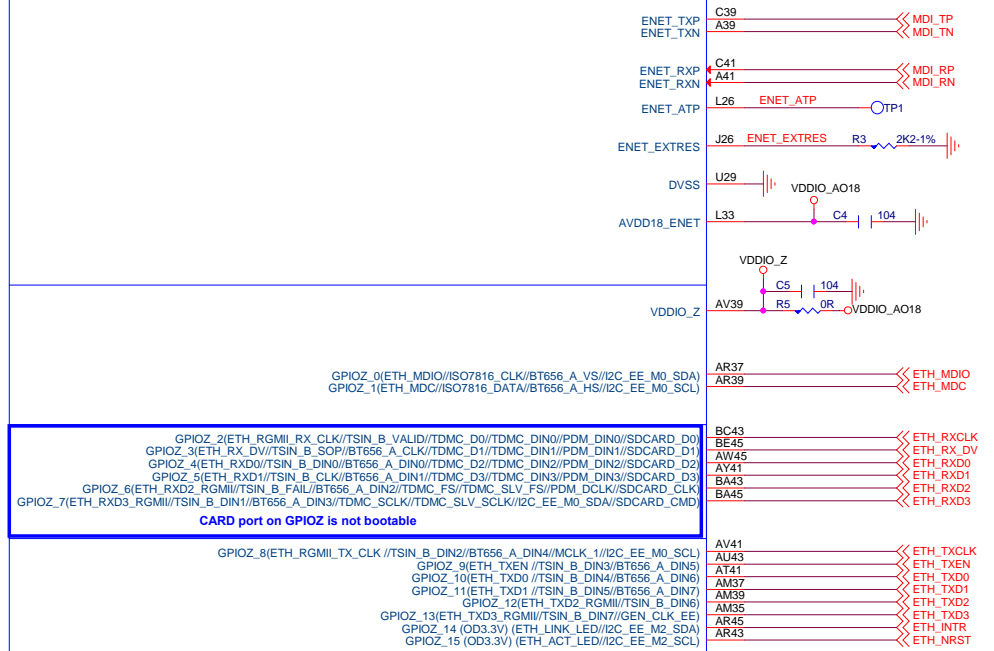
**Tolerance 1.8V**



Amlogic\_S905

U1G

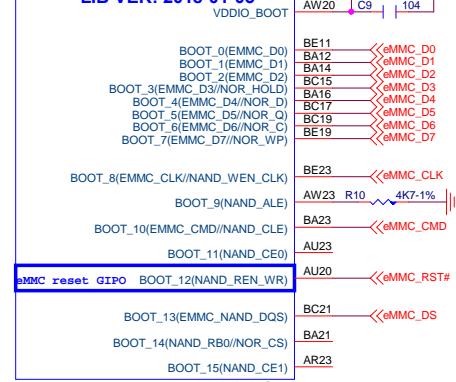
LIB VER: 2018-01-05




Amlogic\_S905

U1B

LIB VER: 2018-01-05



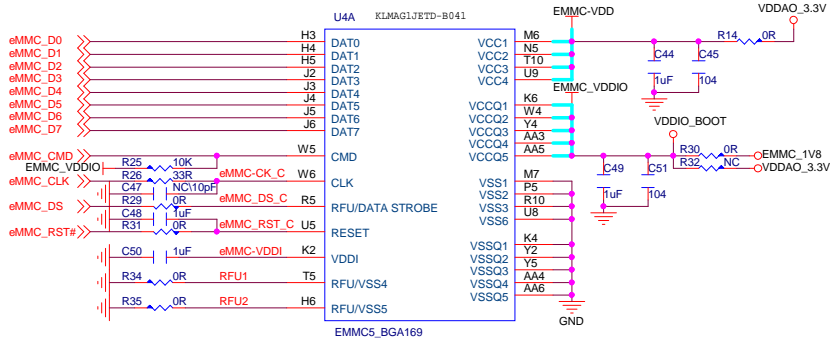
Amlogic\_S905

				<b>GUANGDONG BIPAI KEJI CPA.LTD</b>	
				Design Name <b>BPI-M5</b>	
Size A3	Page Name <b>CPU01</b>			Rev V1.0	
Date: Friday, October 23, 2020		Sheet 2		of 9	

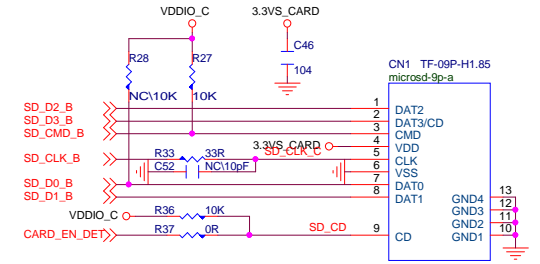
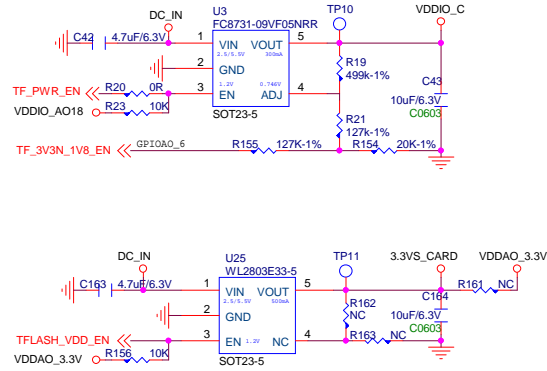


# 04 MSDC

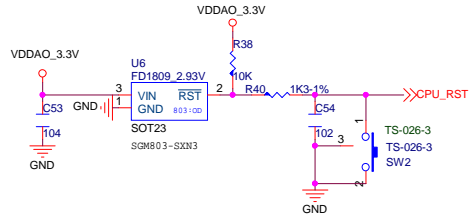
## eMMC



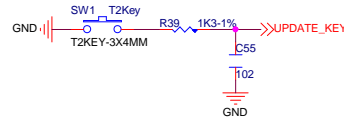
## MicroSD



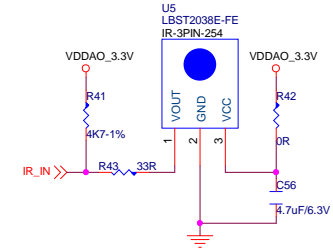
## CPU reset



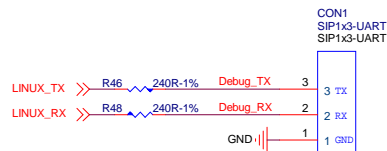
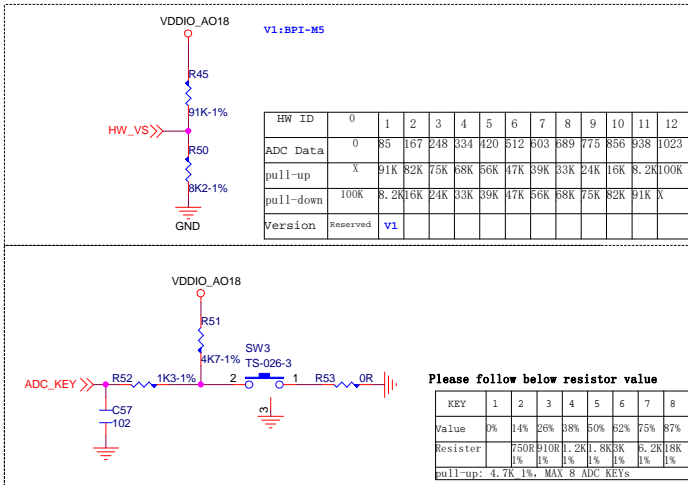
## Update button



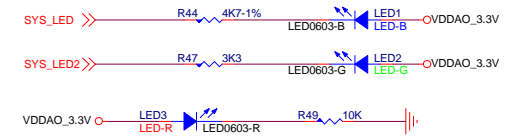
## IR-IN



## linux debug



## System LED

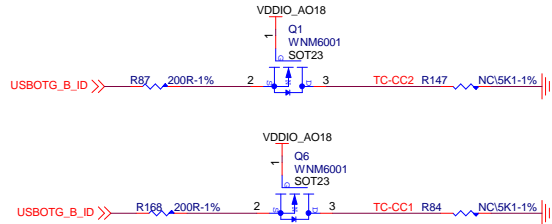
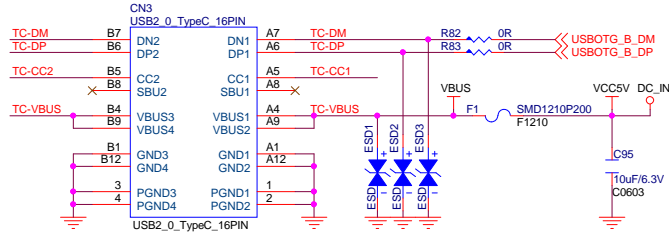




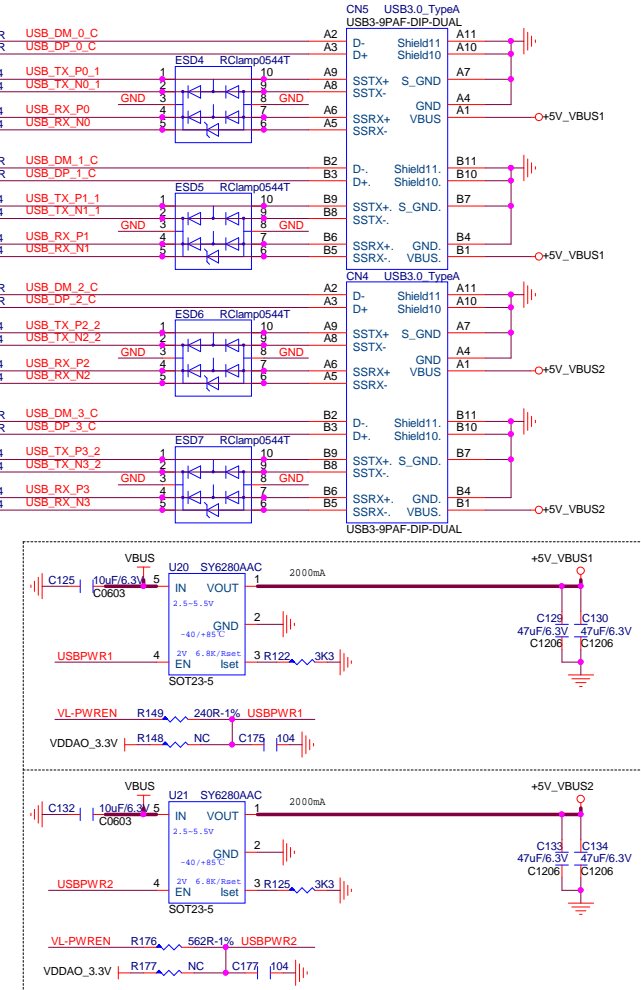
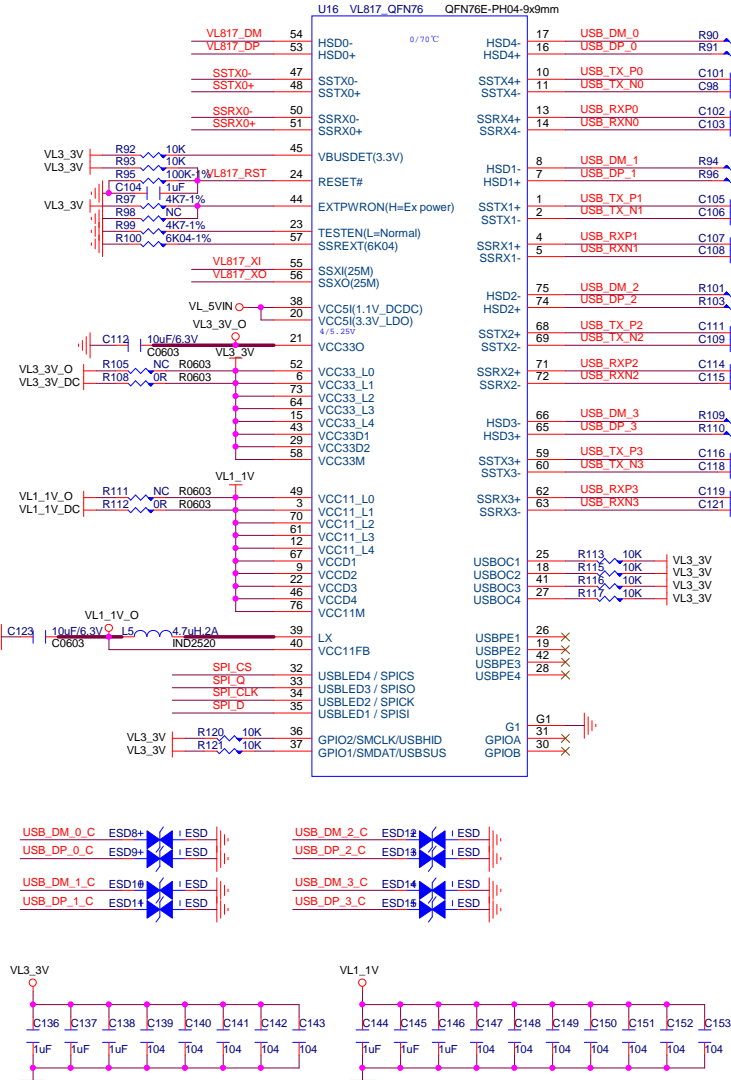
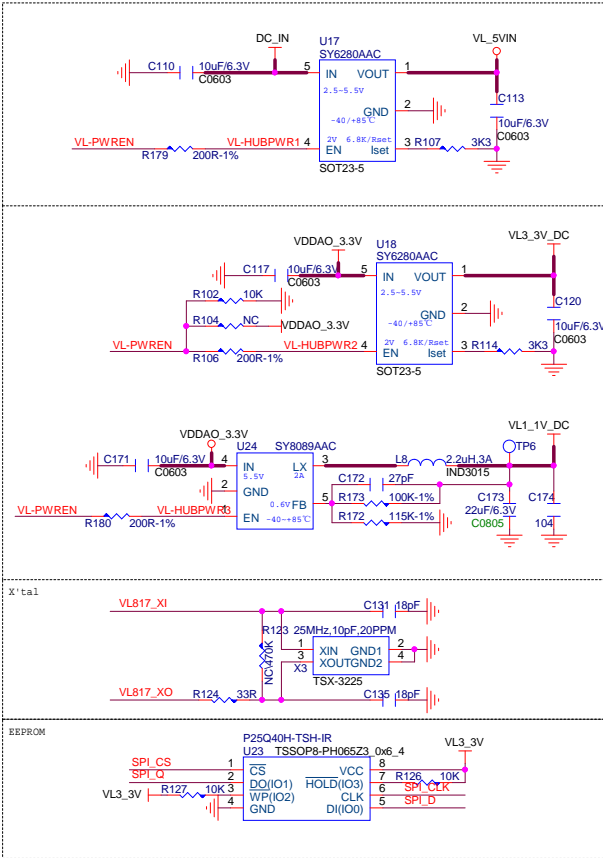
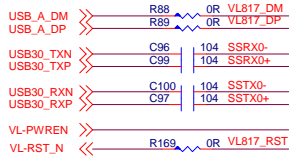


# 07-USB

## TypeC

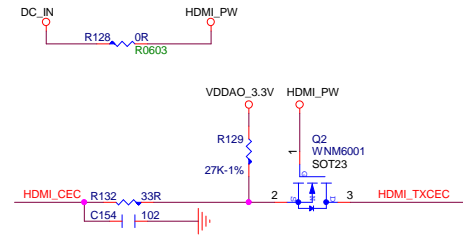
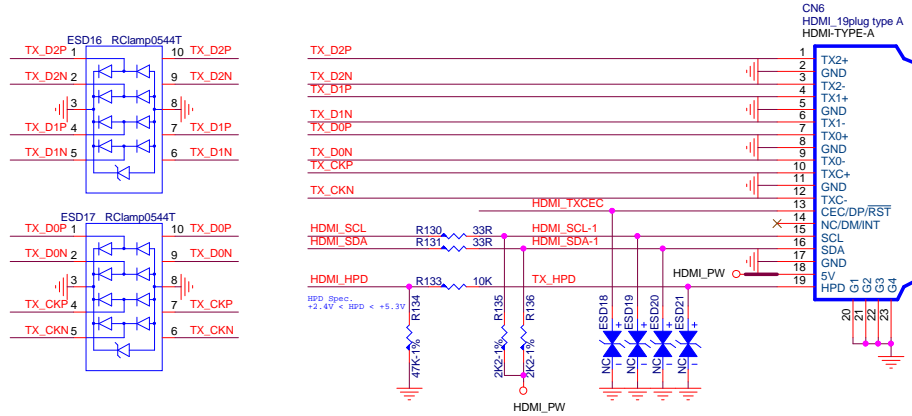
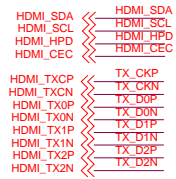


## USB3.0 HUB

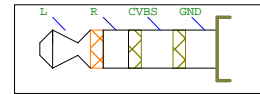
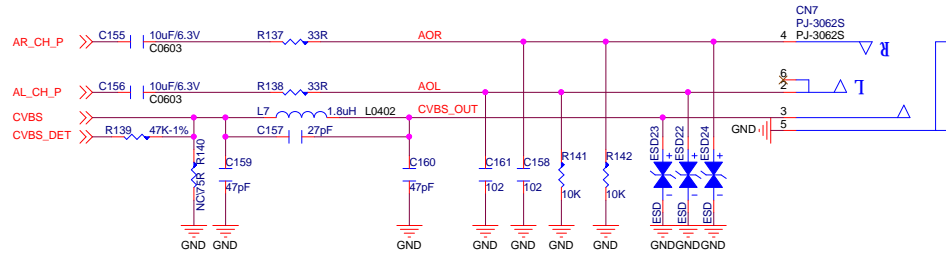


# 08 HDMI-GPIO

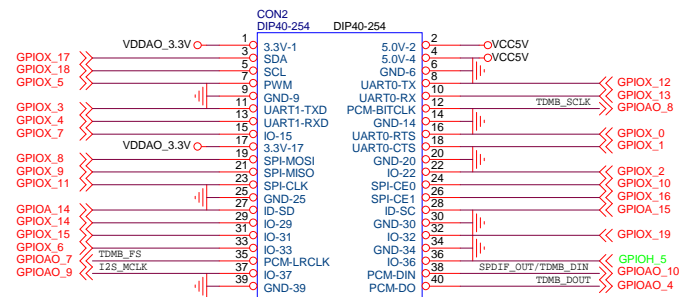
## HDMI OUT




## Audio DAC OUT



## 40 PIN GPIO



		<b>GUANGDONG BIPAI KEJI CPA.LTD</b>	
		Design Name <b>BPI-M5</b>	
Size A3	Page Name HDMI-GPIO	Rev V1.0	
Date: Friday, October 23, 2020		Sheet 8	of 9