

Sheet: Image Placement



File: placement.sch

Sheet: Image Data Processing



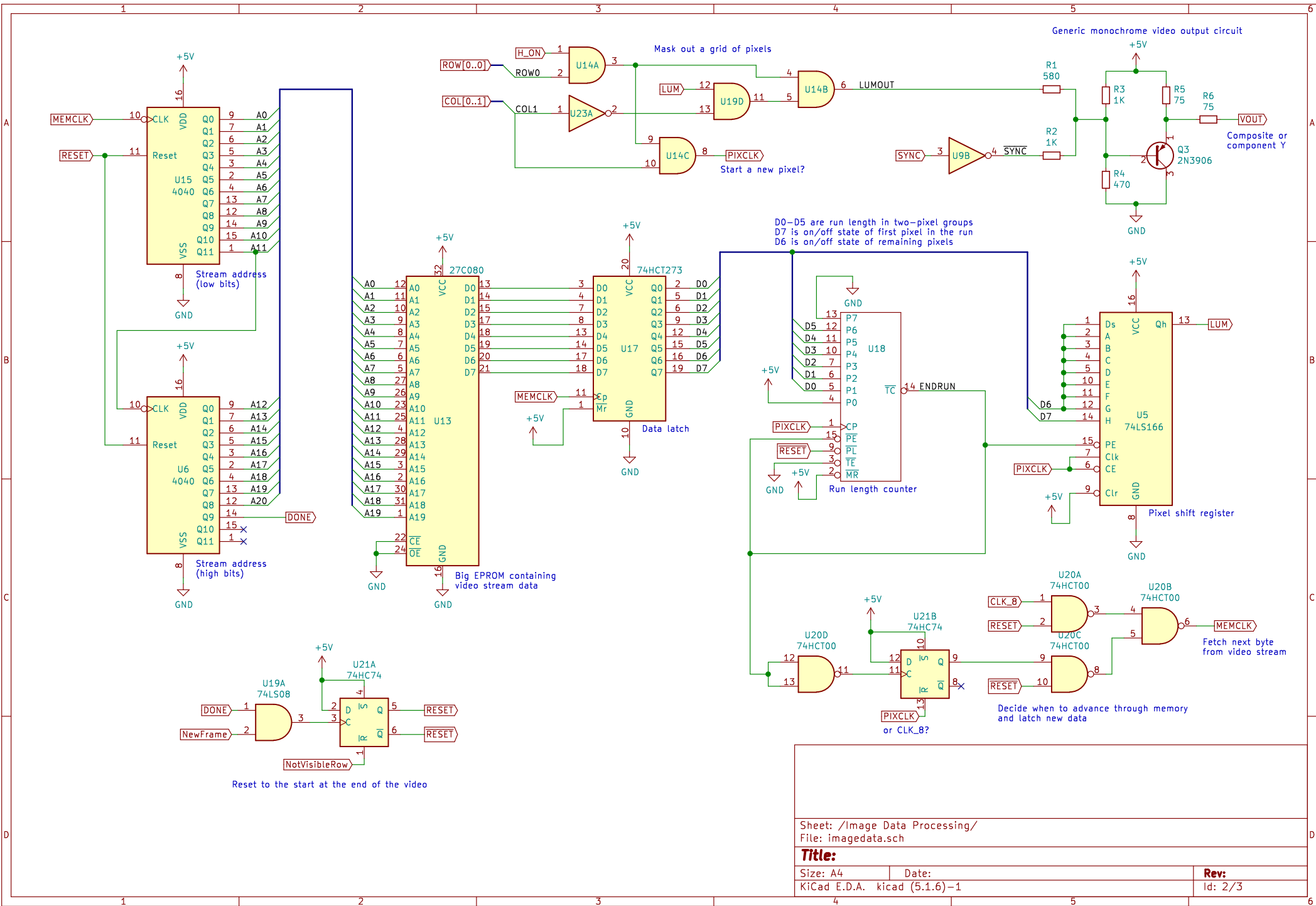
File: imagedata.sch

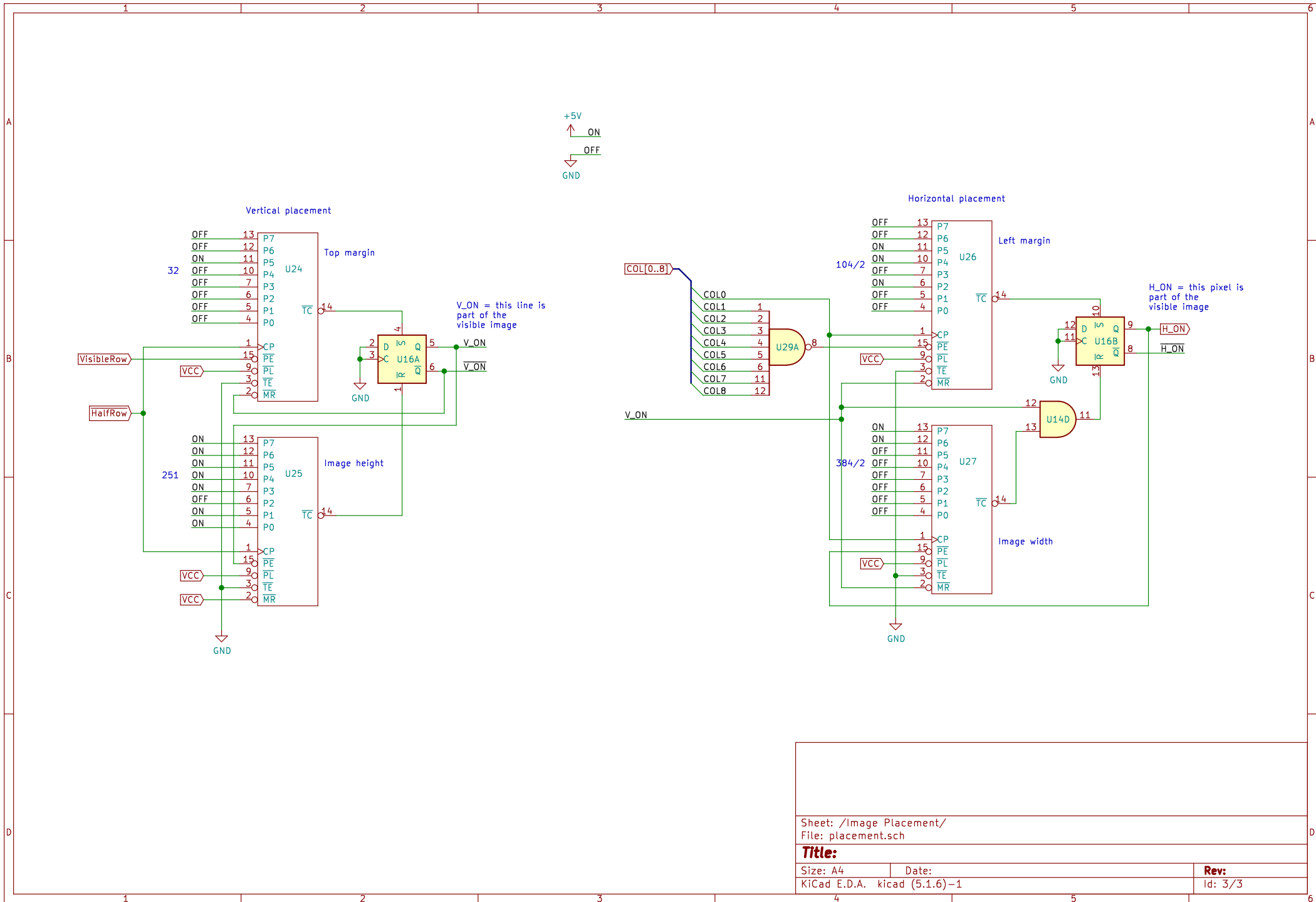
Sheet: /
 File: badapple.sch

Title:

Size: A4 Date:
 KiCad E.D.A. kicad (5.1.6)-1

Rev:
 Id: 1/3





Sheet: /Image Placement/
 File: placement.sch

Title:	
Size: A4	Date:
KiCad E.D.A. kicad (5.1.6)-1	Rev: Id: 3/3