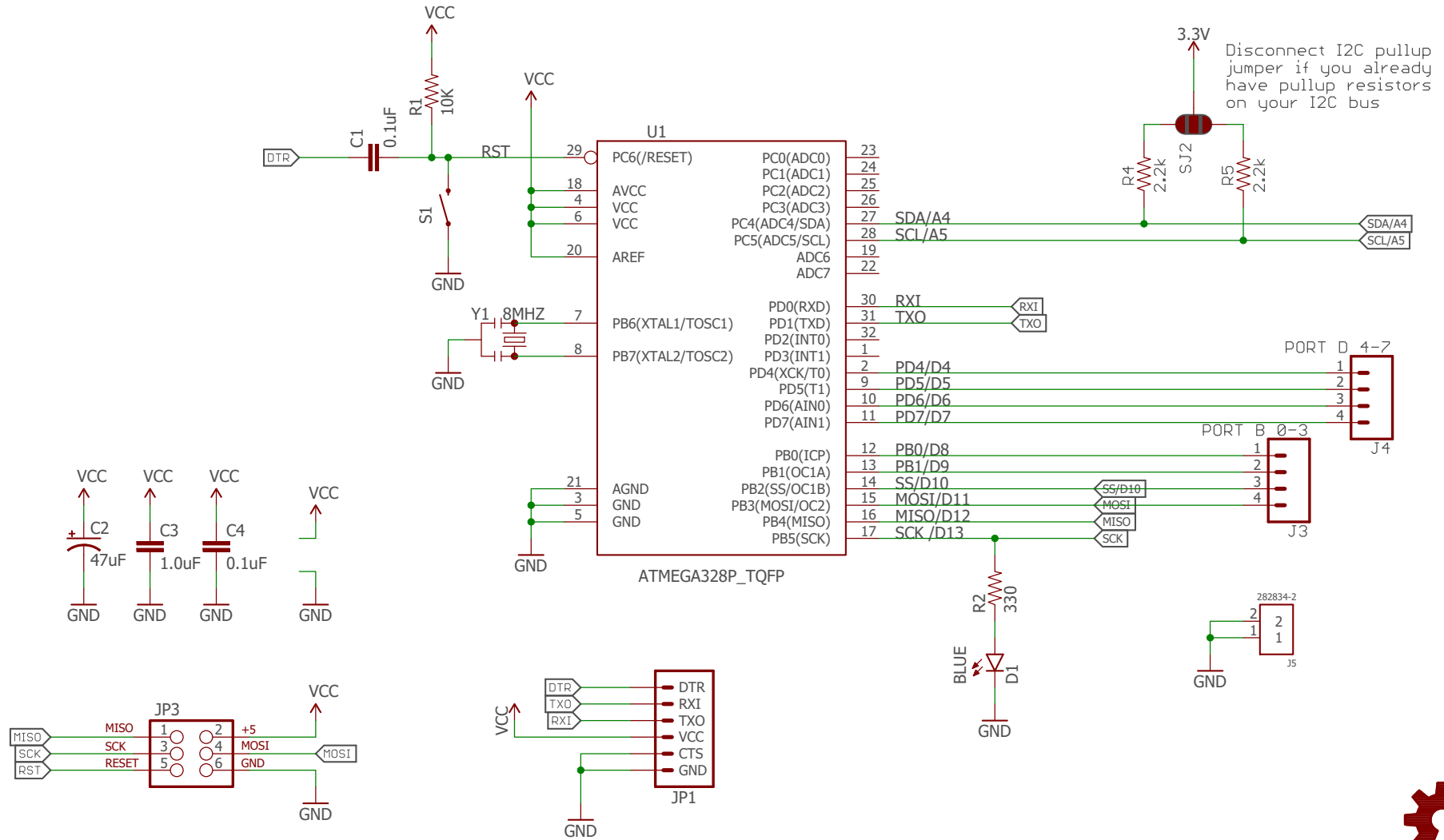


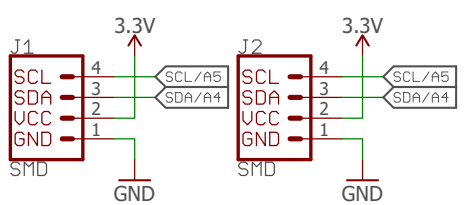
Compatible with 3.3V FTDI Serial IO Adapter
 STRUIX Meaty-3+
 Sparkfun Beefy 3



Disconnect I2C pullup jumper if you already have pullup resistors on your I2C bus



Qwiic Connectors/ I2C Interface



Released under the Creative Commons Attribution Share-Alike 4.0 License https://creativecommons.org/licenses/by-sa/4.0/	
TITLE: I2CIO v.01	
Design by: Mark D. Lougheed Leveraged from Sparkfun Lilypad 328p	REV: v0.1
Date: 10/9/2020 1:39 PM	Sheet: 1/1