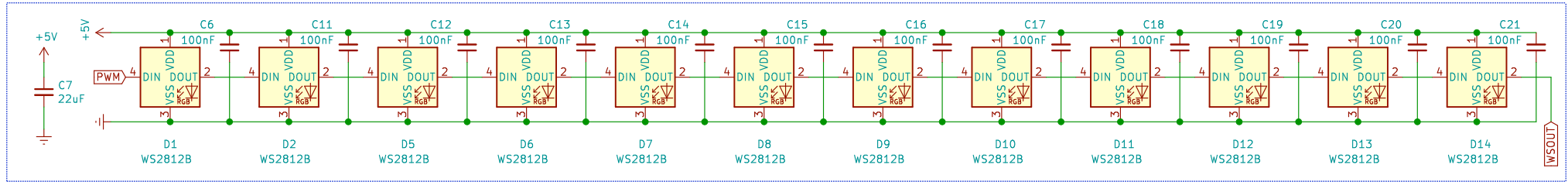
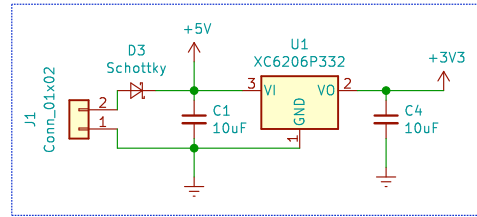


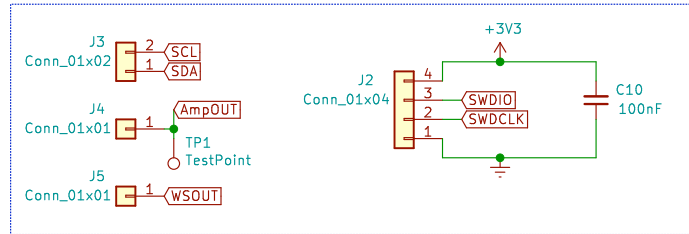
NEOPIXEL LEDS



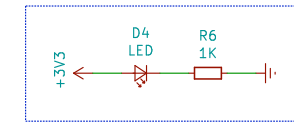
LDO



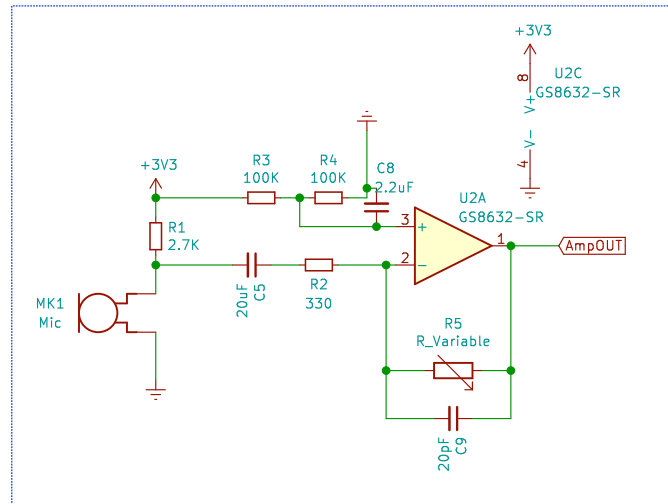
CONNECTORS



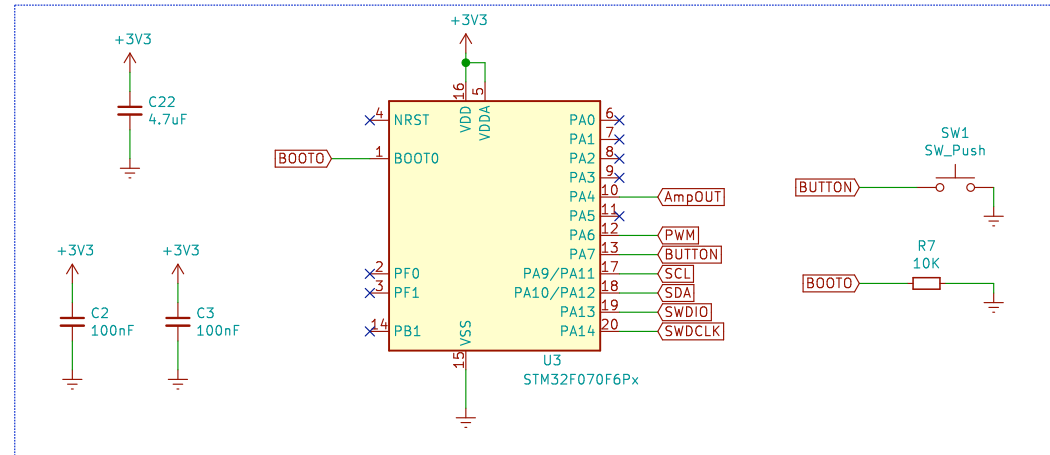
POWER LED



MIC



MCU



MAT

MAT

Sheet: /
File: SoundRing.sch

Title: 12BIT NEO-PIXEL

Size: A4 Date: 2020-08-11
KiCad E.D.A. kicad (5.1.6-0-10_14)

Rev: 1.1
Id: 1/1