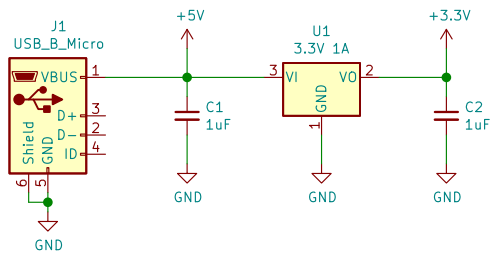
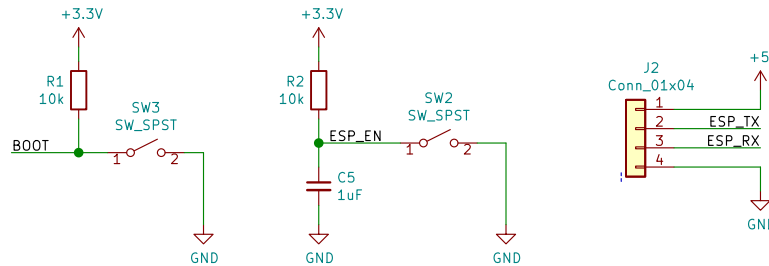


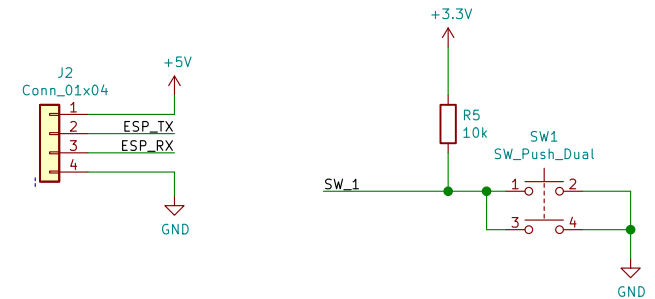
3.3V Power Supply



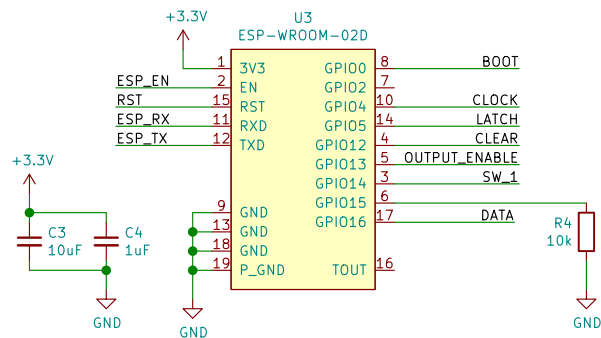
Programming



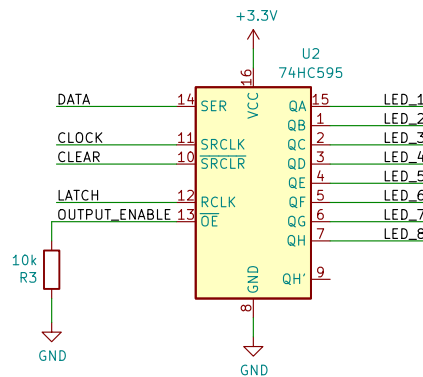
User Switch



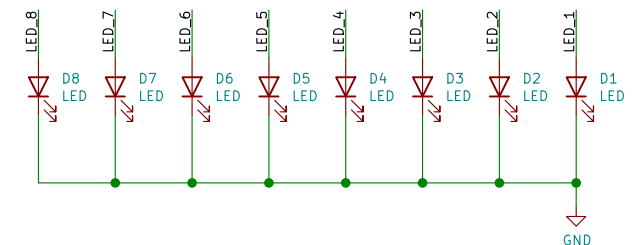
ESP8266 MCU



LED Driver



LEDs



8 Bit WiFi Visualizer

Title

Revision: A05 Sheet 1 of 1 2020-10-20

<https://github.com/stasiselectronics/8BitWiFiVisualizer>

License: CERN-OHL-S

It is recommended that users do not solder Pad 19 to the base board. If users do want to solder it, they need to ensure that the correct quantity of soldering paste is applied.