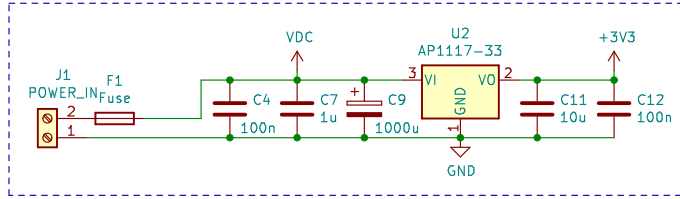
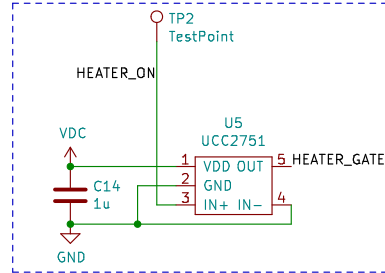


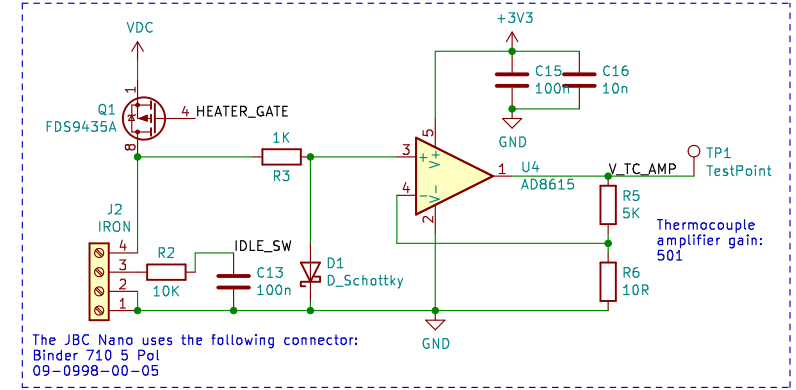
Power Input and 3V3 reg



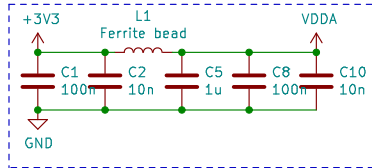
Gate driver and level shifter



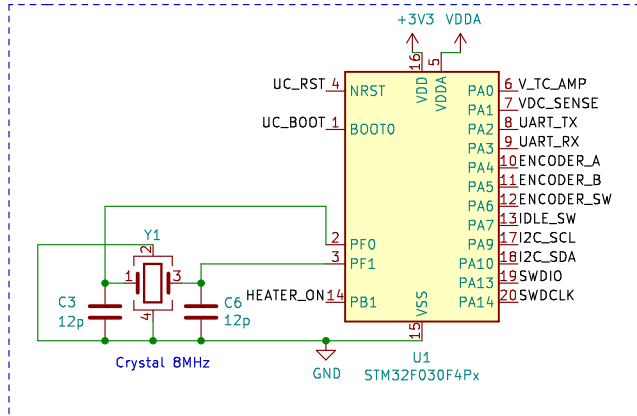
Power output and thermocouple amplifier



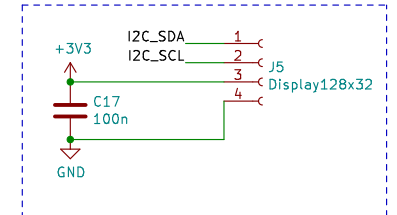
CPU power bypass and filter



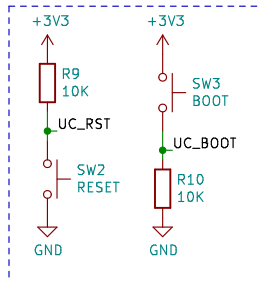
CPU



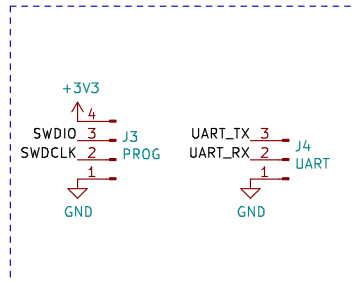
Display connector



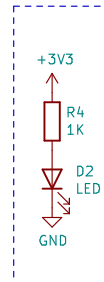
Reset / Boot buttons



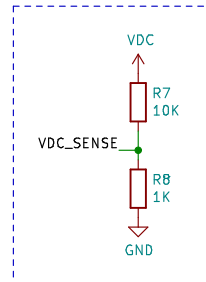
Programming / debug headers



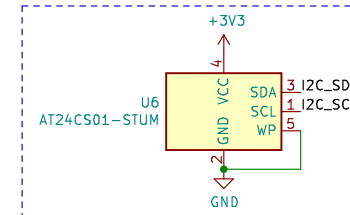
Power LED



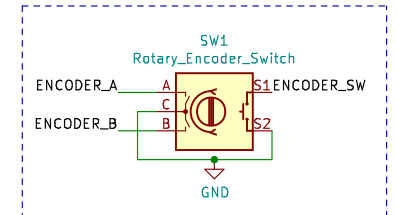
Input voltage measurement



Settings EEPROM



User input rotary encoder



Sheet: /		File: JBC_Nano_Hardware.kicad_sch	
Title: JBC Nano Control PCB by Daniel Frejek (Winkelkatze)			
Size: A4	Date:	Rev: 1.1	
KiCad E.D.A. kicad (6.0.4)		Id: 1/1	