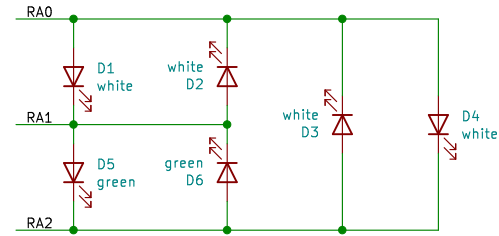
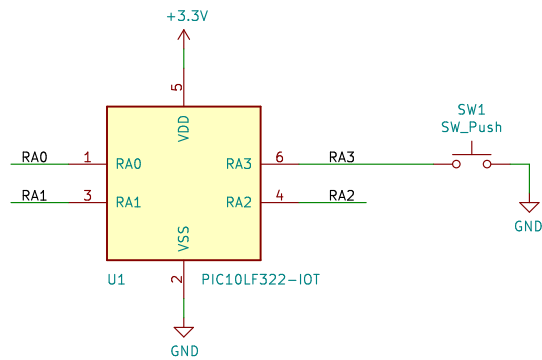


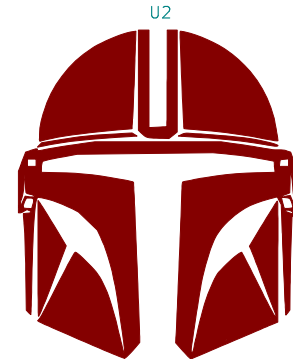
Power supply



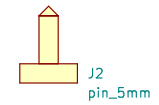
LED Charliplexing



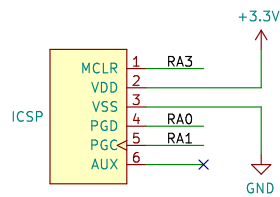
Microcontroller



PCB profile



Hardware pin



Programing terminal

Follow me on twitter @IObrizio

Design by Fabrizio

Sheet: /

File: Mando_pin.sch

Title: The mandalorian pin badge

Size: USLetter | Date: 2020-11-25

KiCad E.D.A. kicad (5.1.6)-1

Rev: 1

Id: 1/1