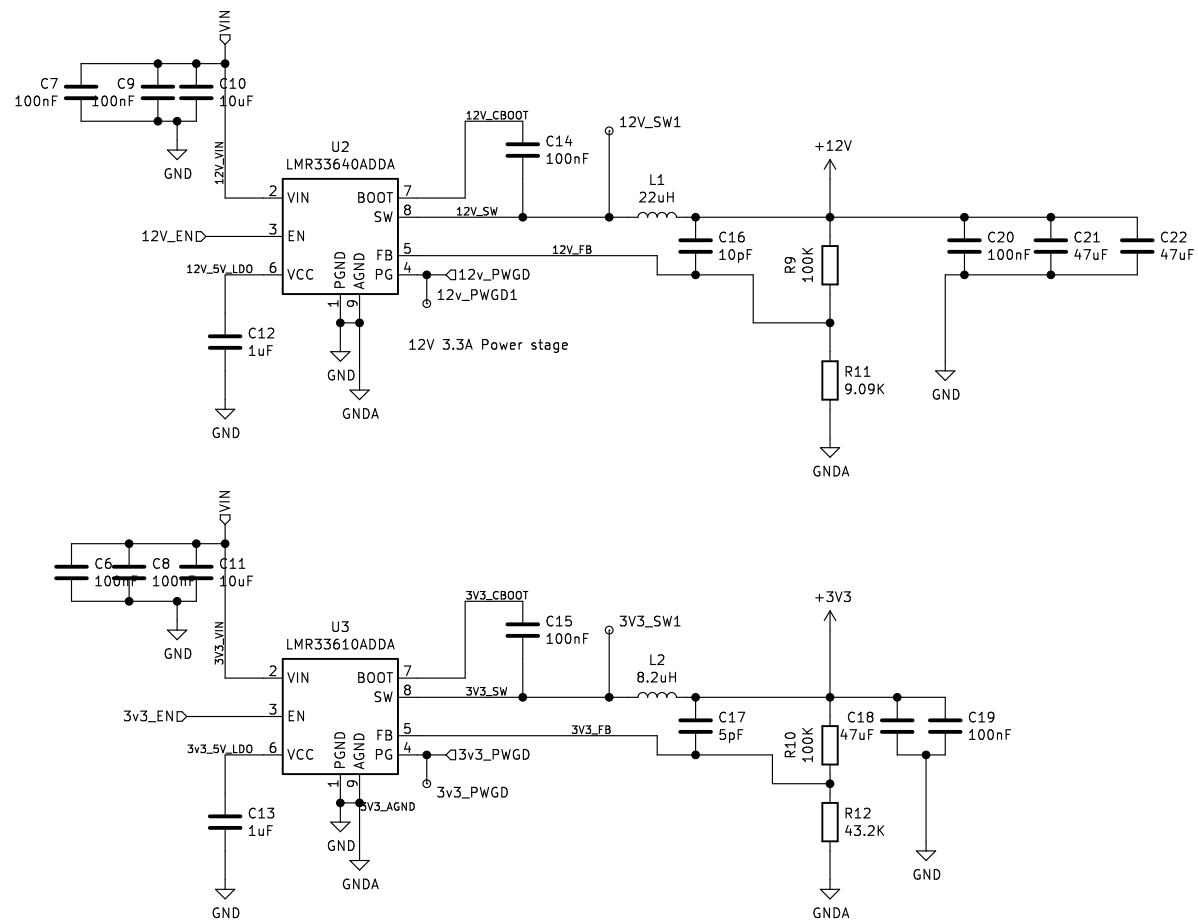


Sheet: /
 File: supernight2.sch

Title: SUPERNIGHT 2 Channel LED Driver

Size: A4	Date: 2020-11-22	Rev: 0.2.0
KiCad E.D.A. kicad (5.1.8-0-10_14)		Id: 1/5

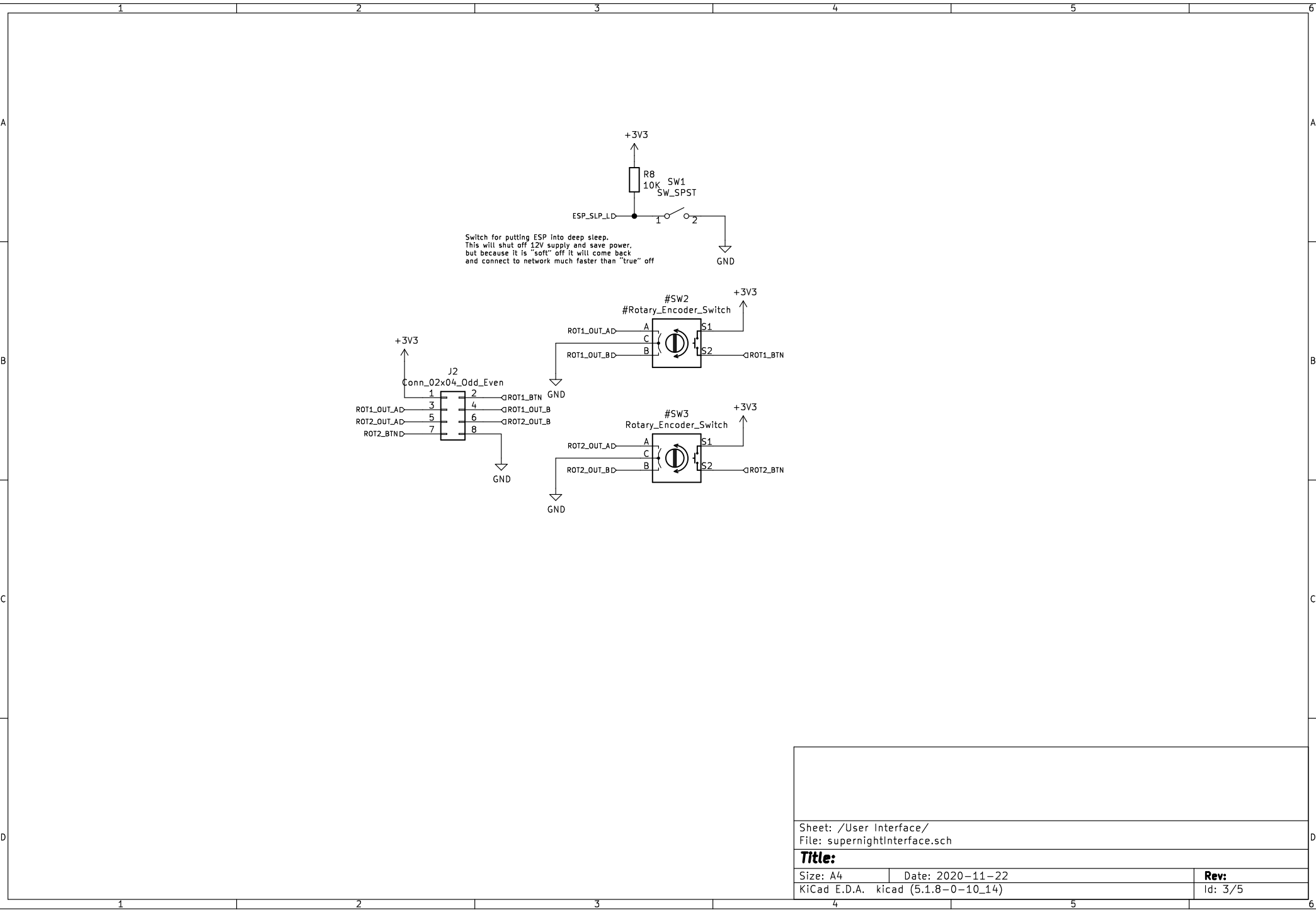


Sheet: /Power Supply/
 File: supernightPSU.sch

Title: 3.3V and 12V Power Supply

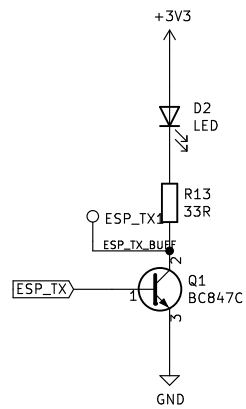
Size: A4 Date: 2020-11-22
 KiCad E.D.A. kicad (5.1.8-0-10_14)

Rev: 0.2.0
 Id: 2/5



Switch for putting ESP into deep sleep.
 This will shut off 12V supply and save power,
 but because it is "soft" off it will come back
 and connect to network much faster than "true" off

Sheet: /User Interface/ File: supernightInterface.sch		
Title:		
Size: A4	Date: 2020-11-22	Rev:
KiCad E.D.A. kicad (5.1.8-0-10_14)		Id: 3/5



Sheet: /TX LED/

File: 3v3tx_led_buff.sch

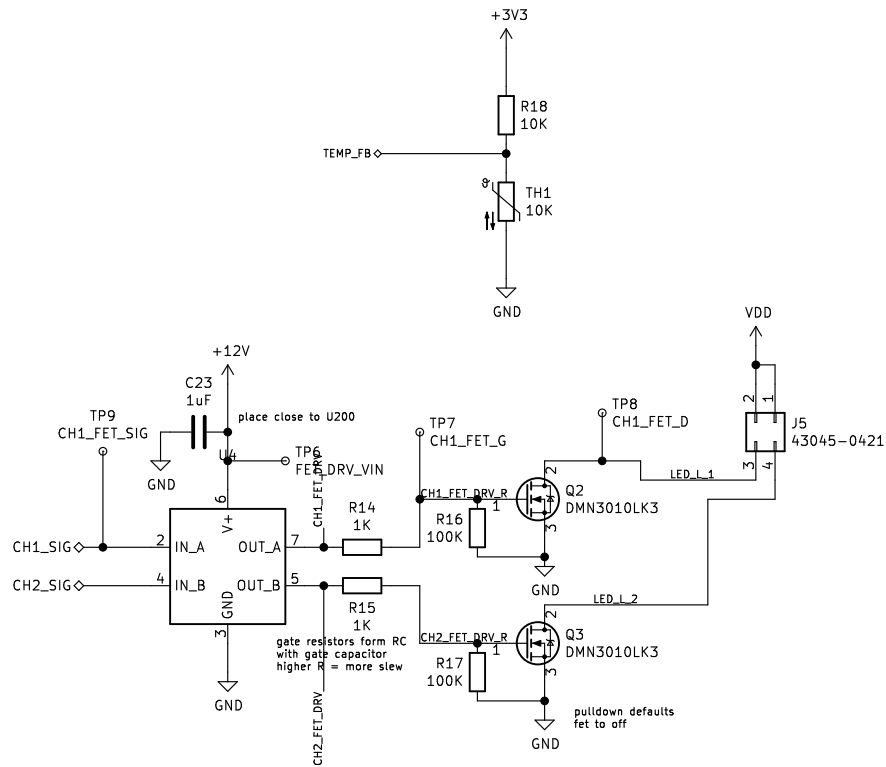
Title: TX LED Buffered

Size: A4 Date: 2020-11-22

Rev: 0.2

KiCad E.D.A. kicad (5.1.8-0-10_14)

Id: 4/5



Sheet: /MOSFET_DRIVE/
 File: dualFETDrive.sch

Title: Low side LED drive

Size: A4 Date: 2020-11-22
 KiCad E.D.A. kicad (5.1.8-0-10_14)

Rev: 0.2.0
 Id: 5/5