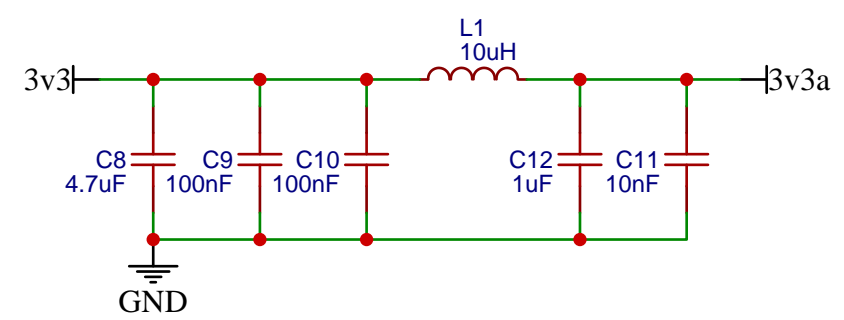
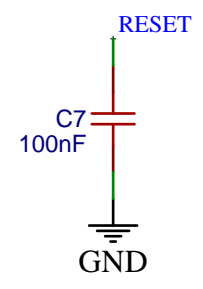
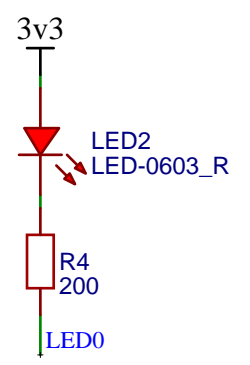
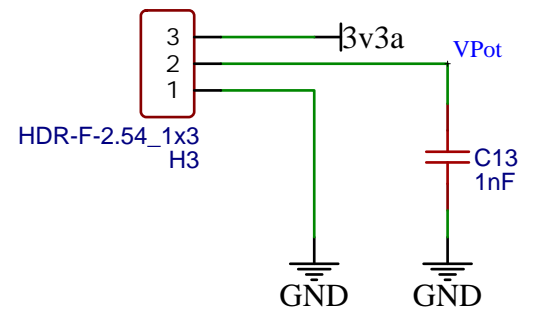
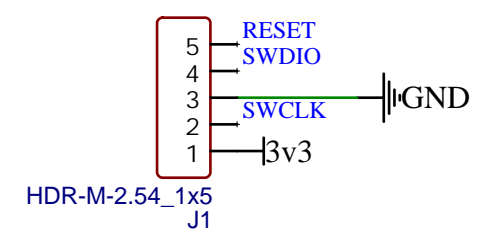
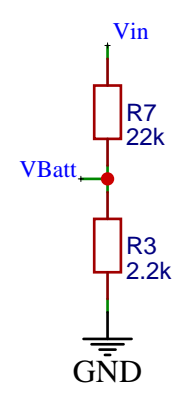


$I_{trip} = 1A$ (current chopping)
 $V_{trip} = 0.35V$ (current chopping)
 $R_{isen} = 0.35 / 1.0 = 0.35R$



TITLE: Smart Micro Servo (SMS) MOD		REV: 1.0
EasyEDA	Company: Section Robotique	Sheet: 1/1
	Date: 2020-12-23	Drawn By: Pat92fr