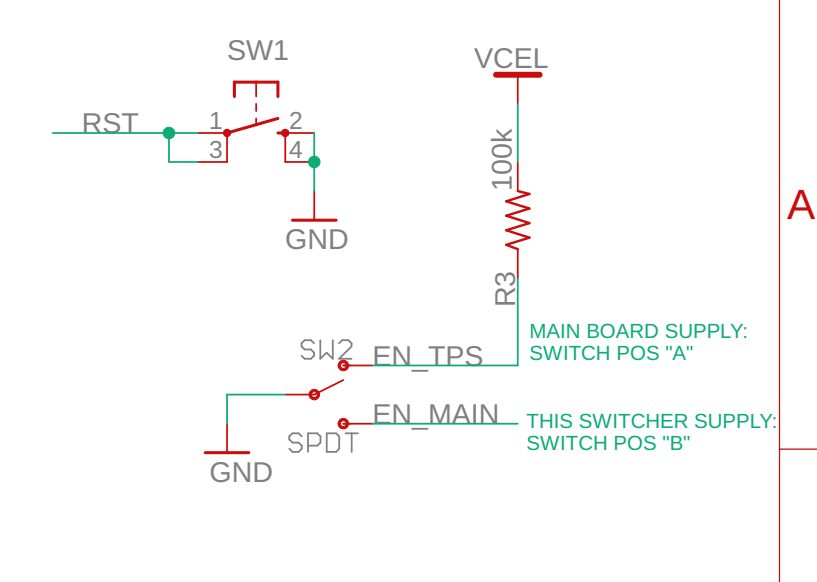
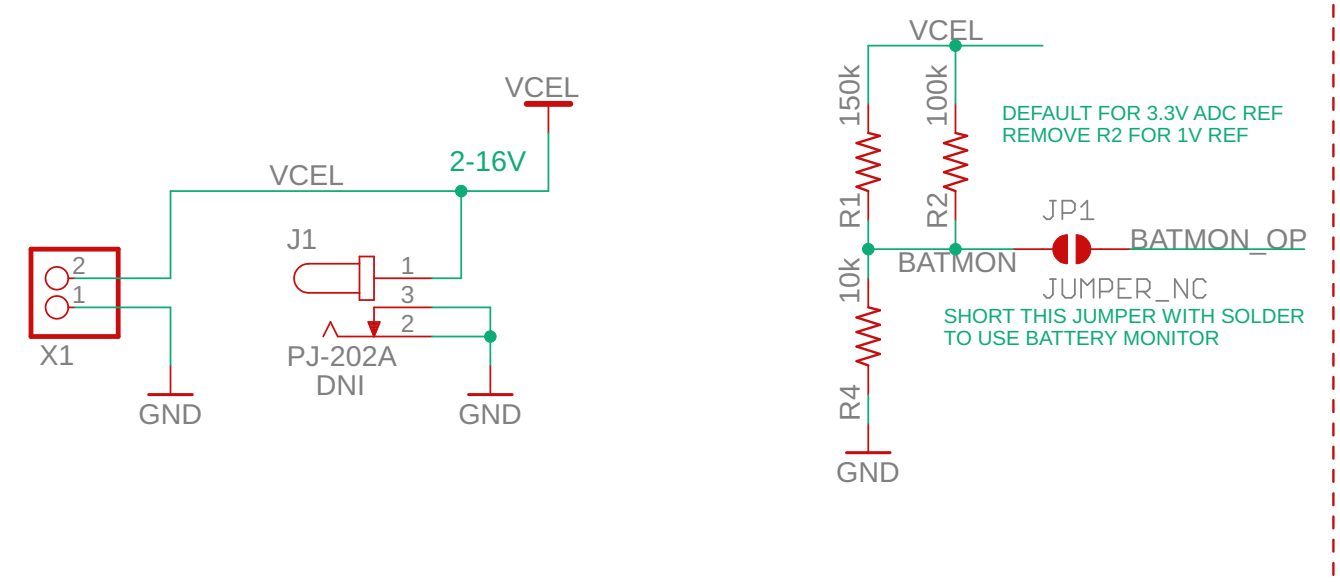
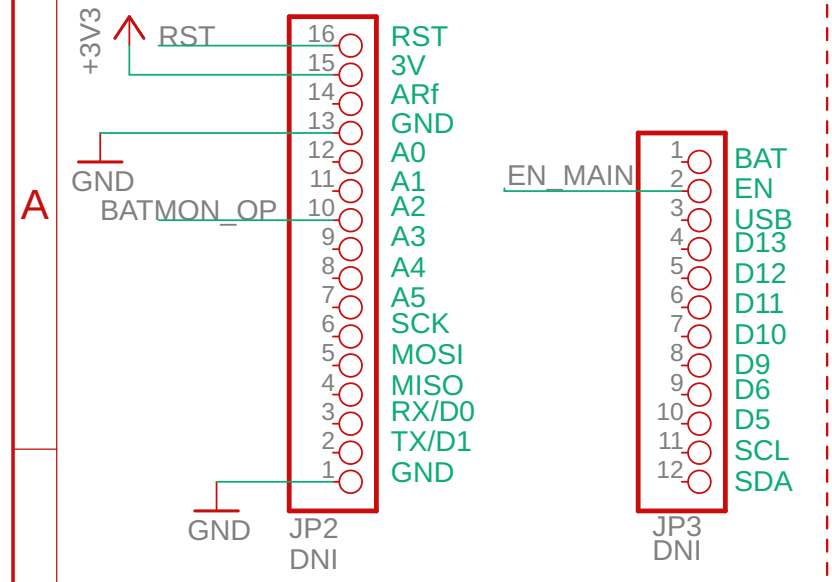


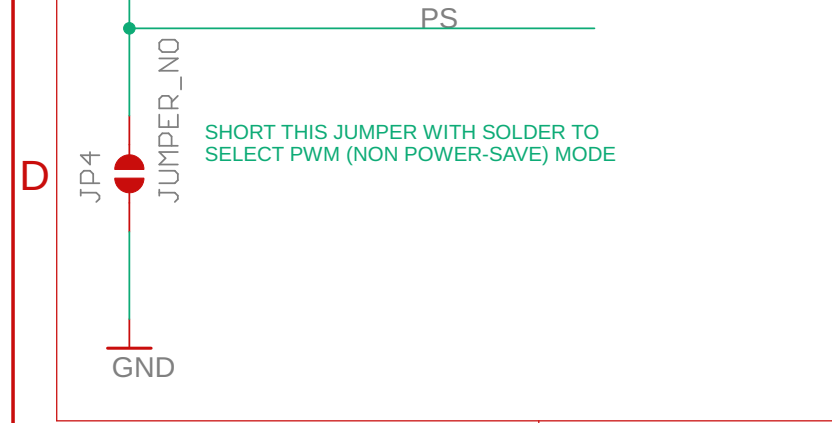
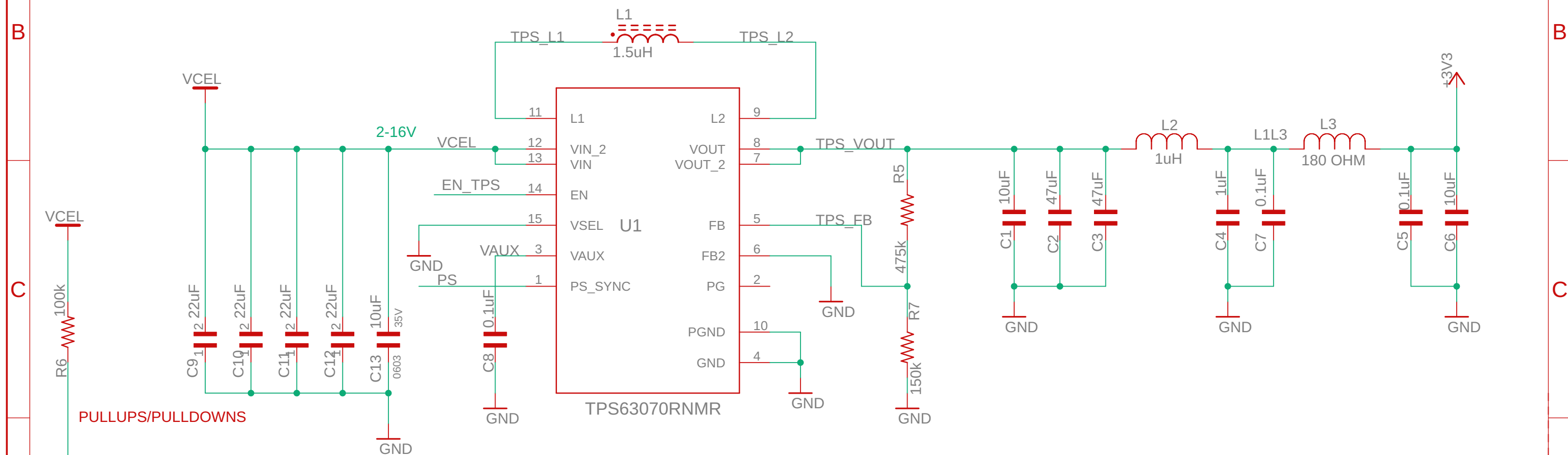
1 FEATHER-COMPATIBLE CONNECTORS

3 POWER CONNECTORS

5 SWITCHES



BUCK-BOOST SWITCHING POWER SUPPLY



TITLE: Battery_Squeezer_Proto_1_8	
Document Number:	REV:
Date: 1/5/2021 3:30 PM	Sheet: 1/1