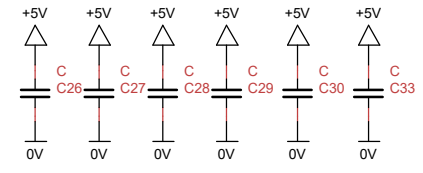
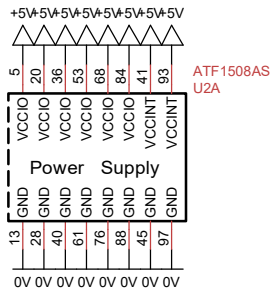
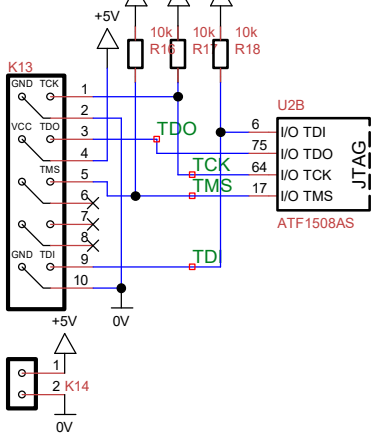
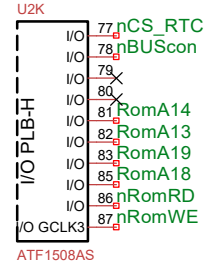
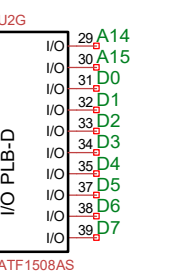
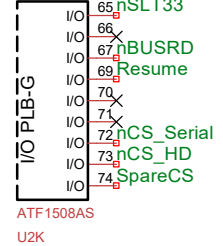
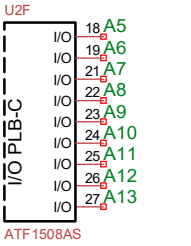
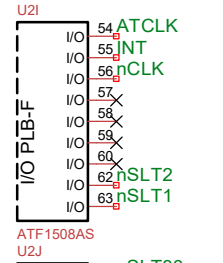
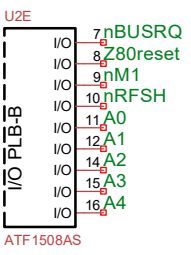
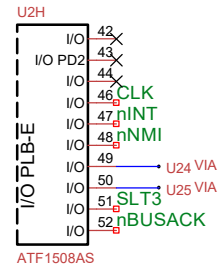
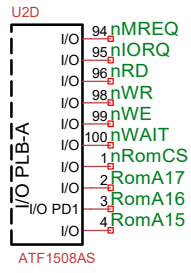
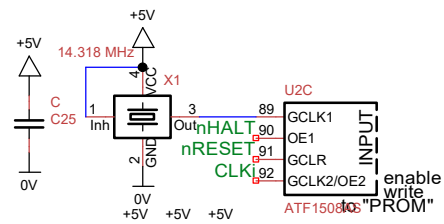


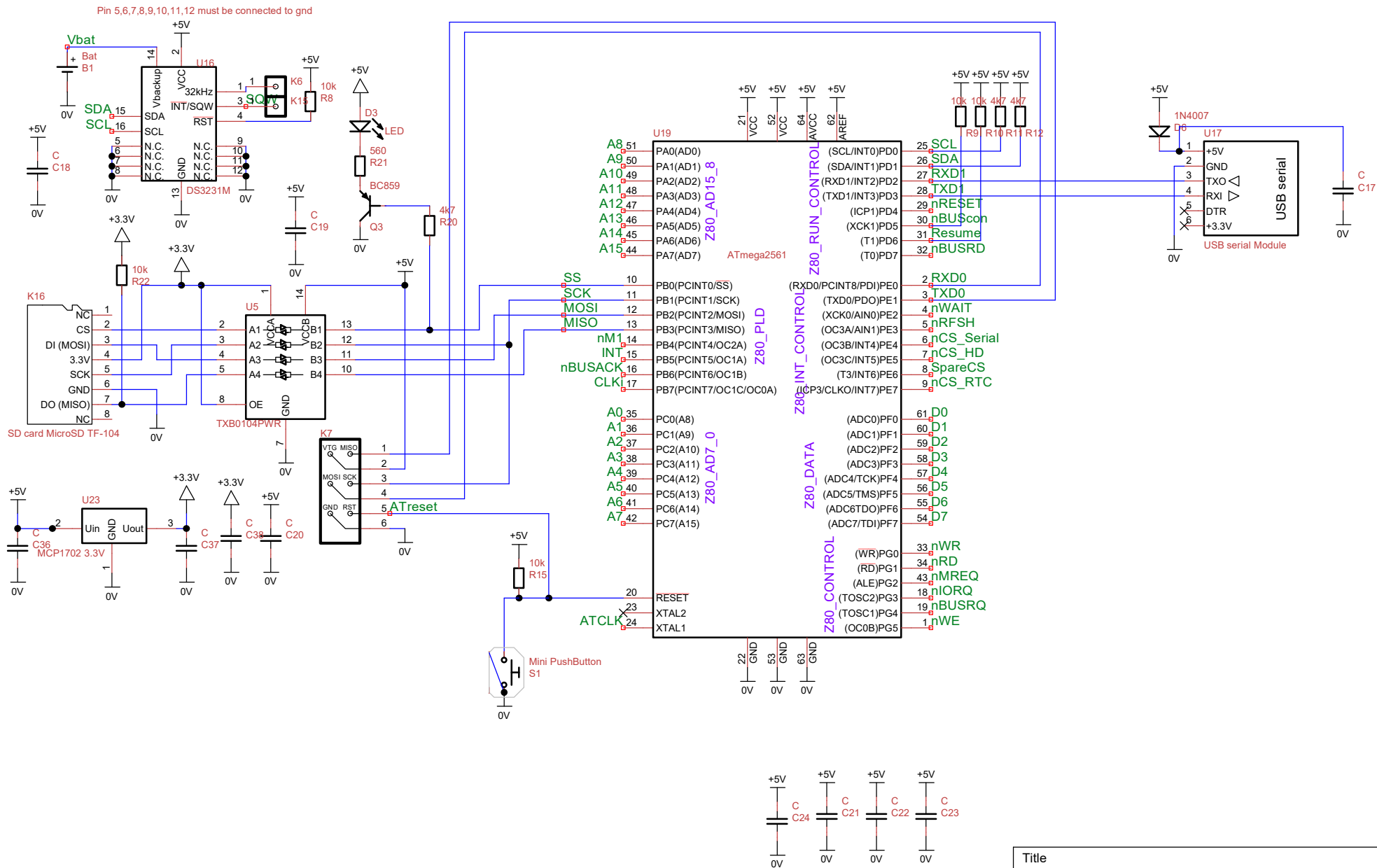
|  |          |                  |
|--|----------|------------------|
| Title<br>Z80 CPU V2                                  |          |                  |
| Author<br>Bert Hoogenboom<br>BHB Electronics         |          |                  |
| File<br>C:\Users\bert\Documents\0 ... Z80 MPU-V1.dsn | Document |                  |
| Revision<br>1.0                                      | Date     | Sheets<br>1 of 3 |

SLT3  
 nSLT2  
 SLT1  
 nSLT33  
 U28  
 U29

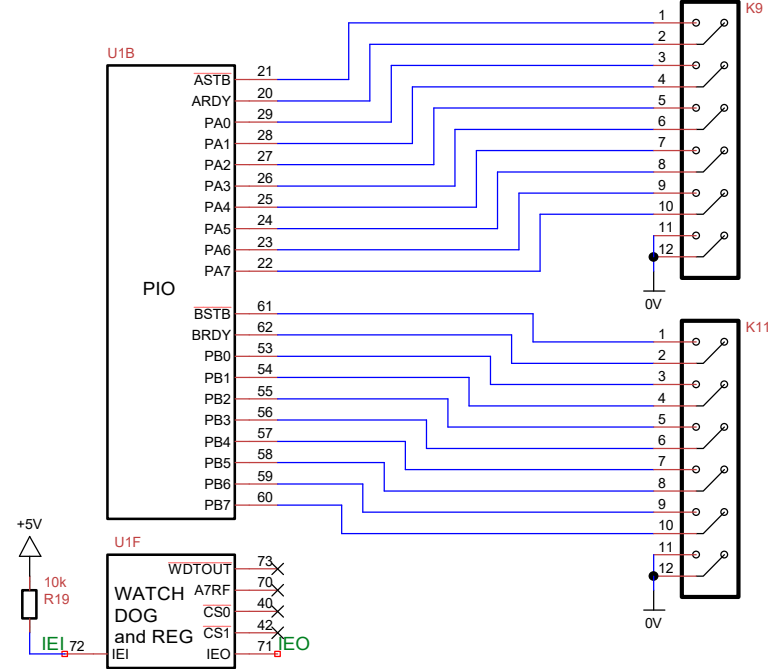
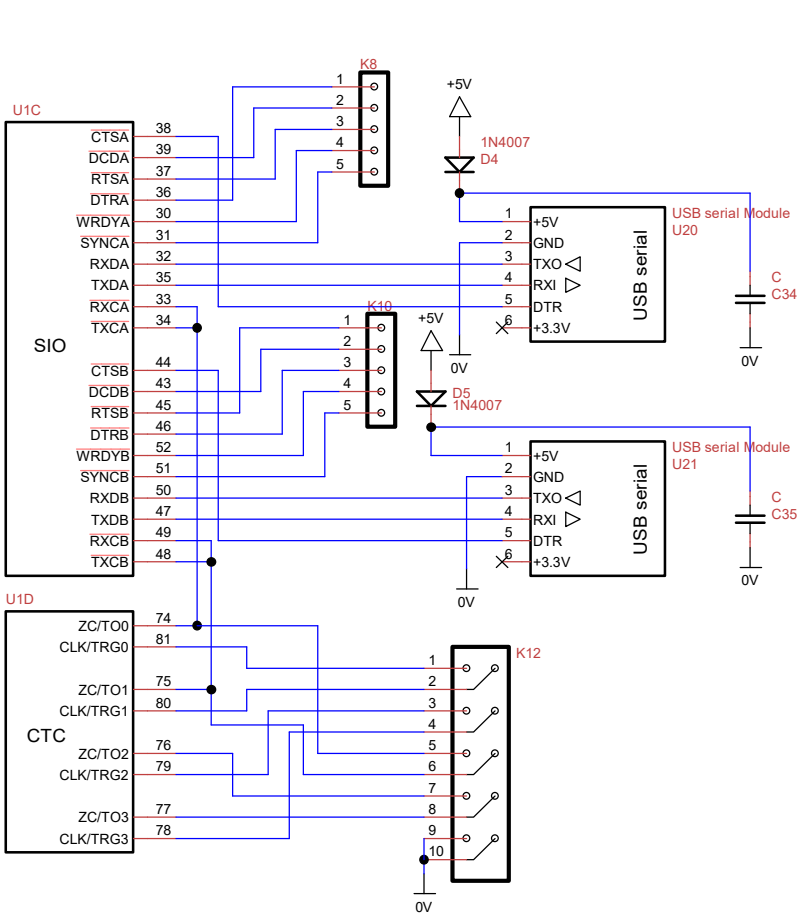
Mounting hole 3.5mm  
 Mounting hole 3.5mm  
 Mounting hole 3.5mm



|  |          |                  |
|--|----------|------------------|
| Title<br>Z80 CPU V1                                  |          |                  |
| Author<br>Bert Hoogenboom<br>BHB Electronics         |          |                  |
| File<br>C:\Users\bert\Documents\0 ... Z80 MPU-V1.dsn | Document |                  |
| Revision<br>1.0                                      | Date     | Sheets<br>3 of 3 |



|   |          |             |
|---|----------|-------------|
| Title<br>Z80 CPU V1                                   |          |             |
| Author<br>Bert Hoogenboom<br>BHB Electronics          |          |             |
| File<br>C:\Users\bert \Documents\0 ... Z80 MPU-V1.dsn | Document |             |
| Revision<br>1.0                                       | Date     | Sheets<br>4 |



|   |          |             |
|---|----------|-------------|
| Title<br>Z80 CPU V2                                   |          |             |
| Author<br>Bert Hoogenboom<br>BHB Electronics          |          |             |
| File<br>C:\Users\bert \Documents\0 ... Z80 MPU-V1.dsn | Document |             |
| Revision<br>1.0                                       | Date     | Sheets<br>4 |