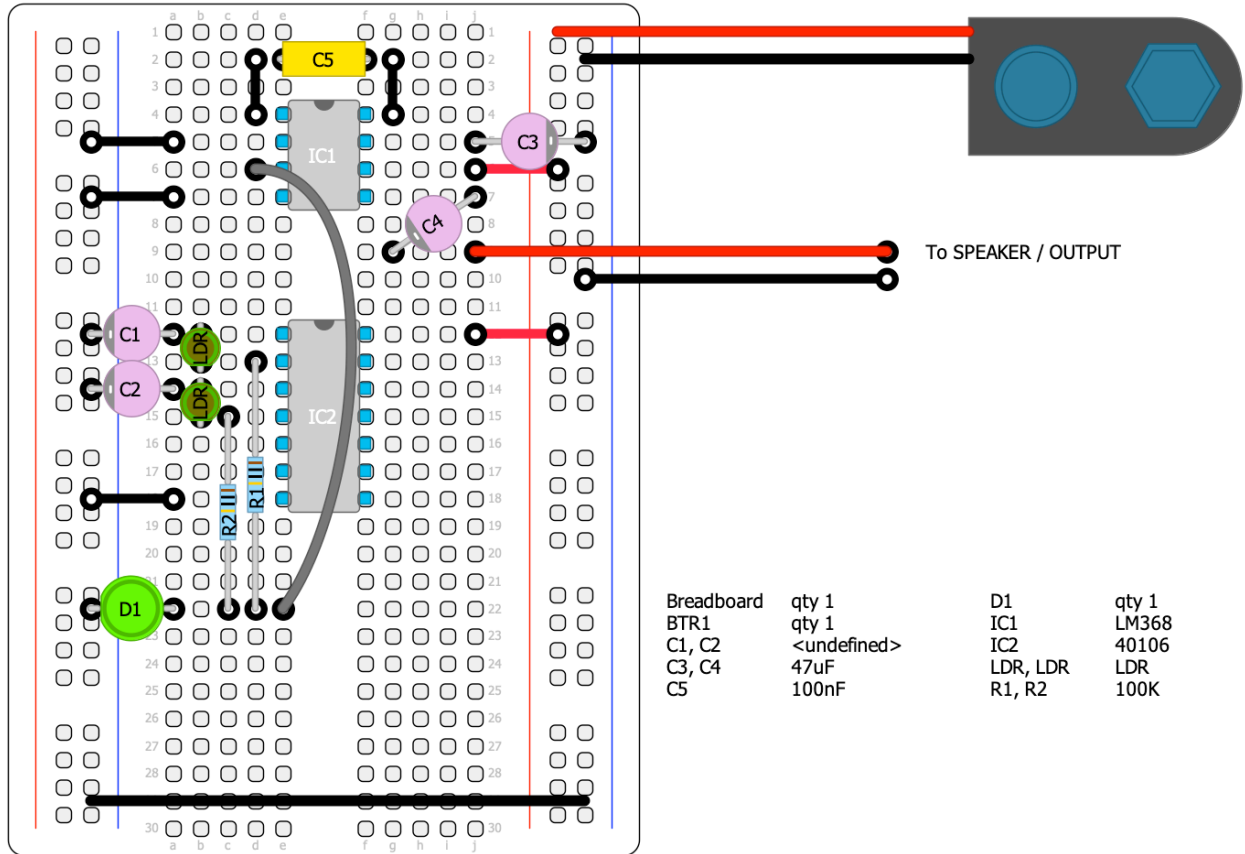


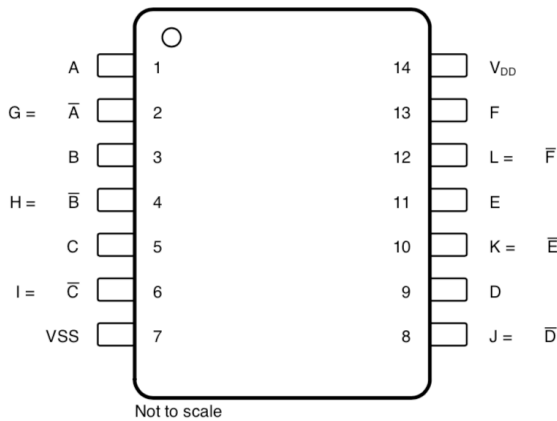
O'Scamp Workshop
(oscillator & amplifier)

RHA 020219

C = capacitor / BTR = battery / D = diode / IC = integrated circuit 'chip' /
LDR = light dependent resistor / R = resistor



D, J, N, NS, PW Packages
14-Pin SOIC, CDIP, PDIP, SO, TSSOP
Top View



D Package
8-Pin MSOP
Top View

