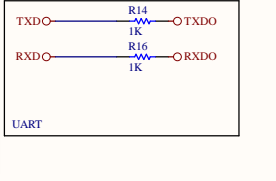
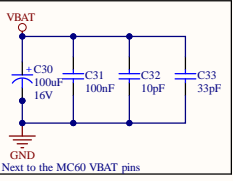
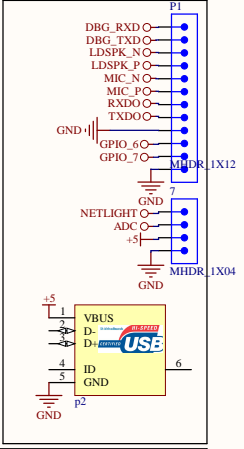
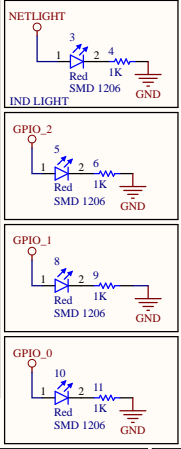
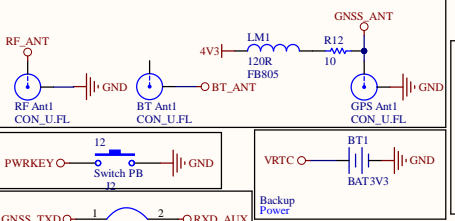
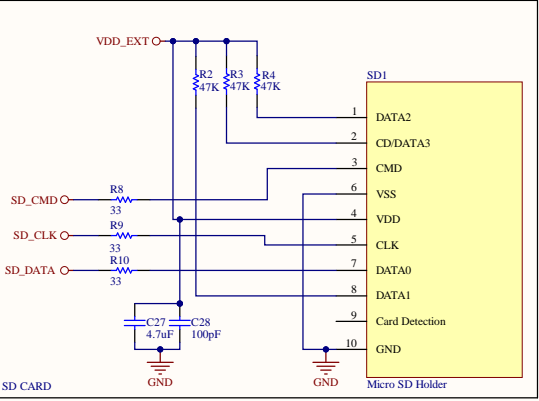
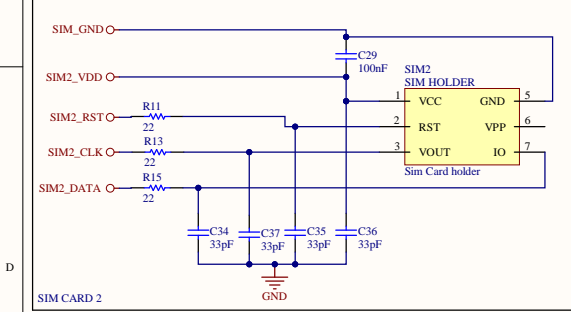
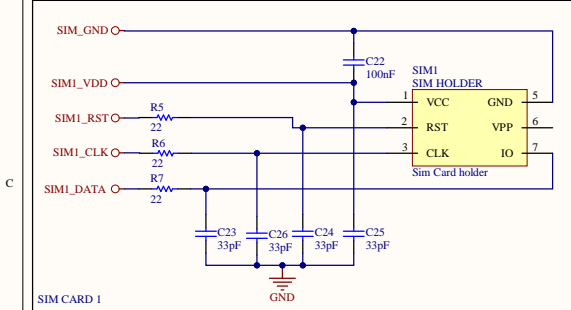
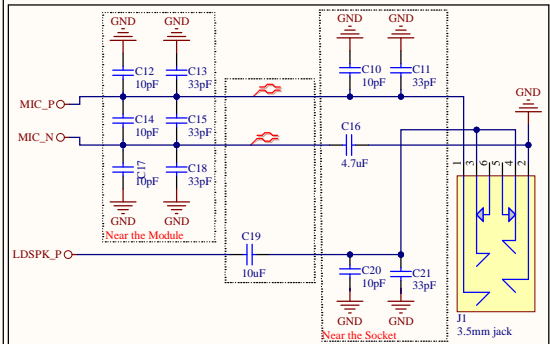


Circuit Designed by [Setrik.aZ](#)

Scan to contact me:

Revision by [Mahdi Hamzeh](#)



Title		MC60HB	
Size	Number	Revision	
C	1	Mahdi Hamzeh	
Date:	2/19/2021	Sheet 1 of 1	
Drawn By:		Setrik.aZ	