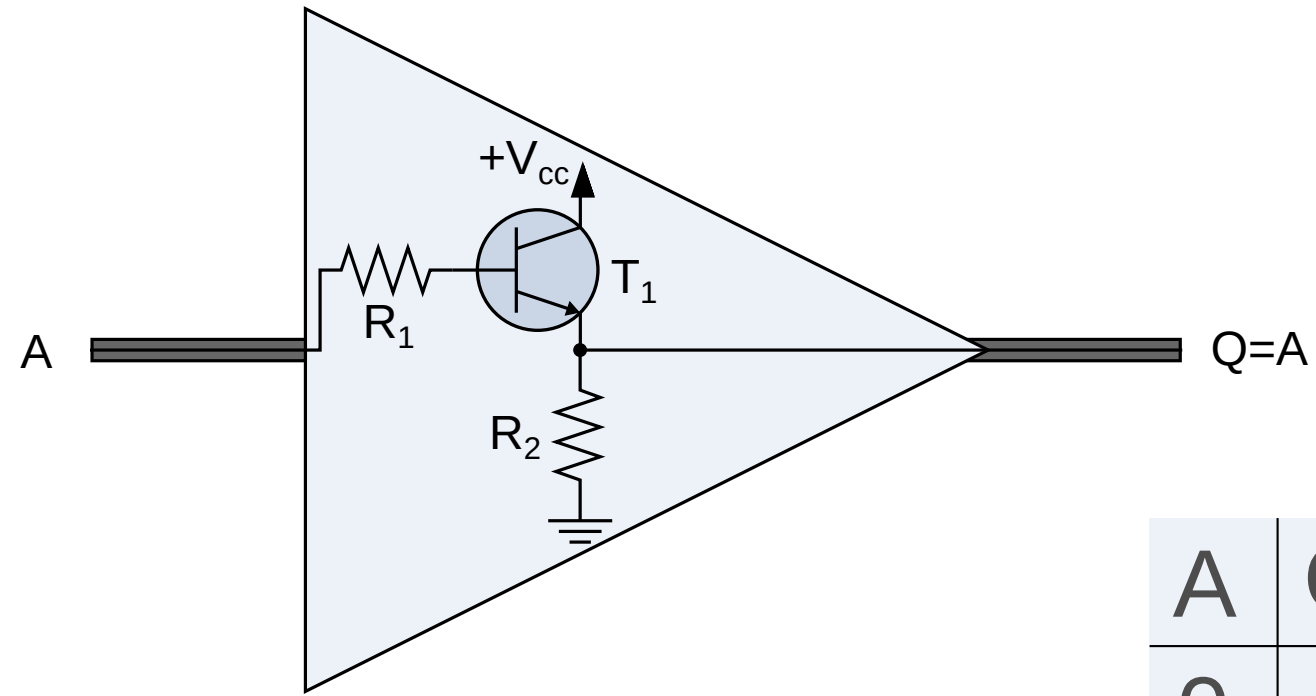


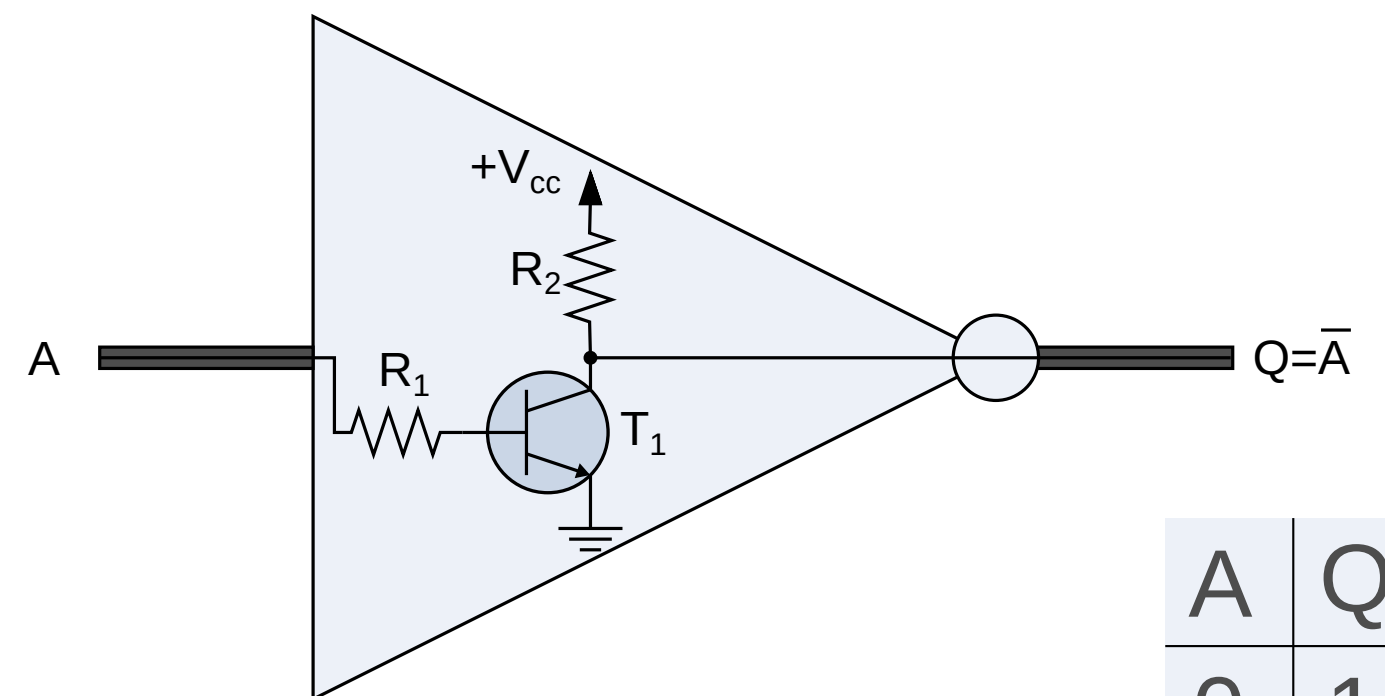
# Basic Digital Logic Gates

## BUF



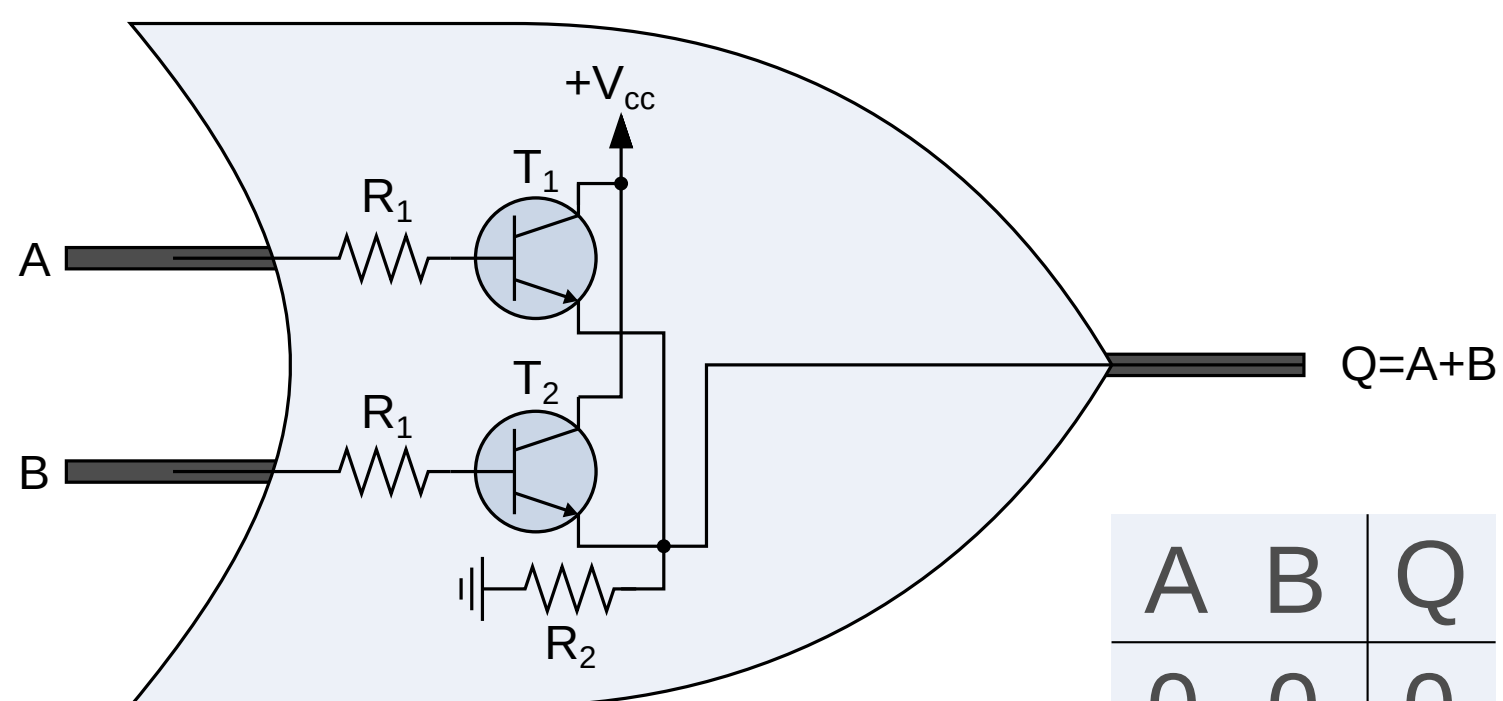
A	Q
0	0
1	1

## NOT



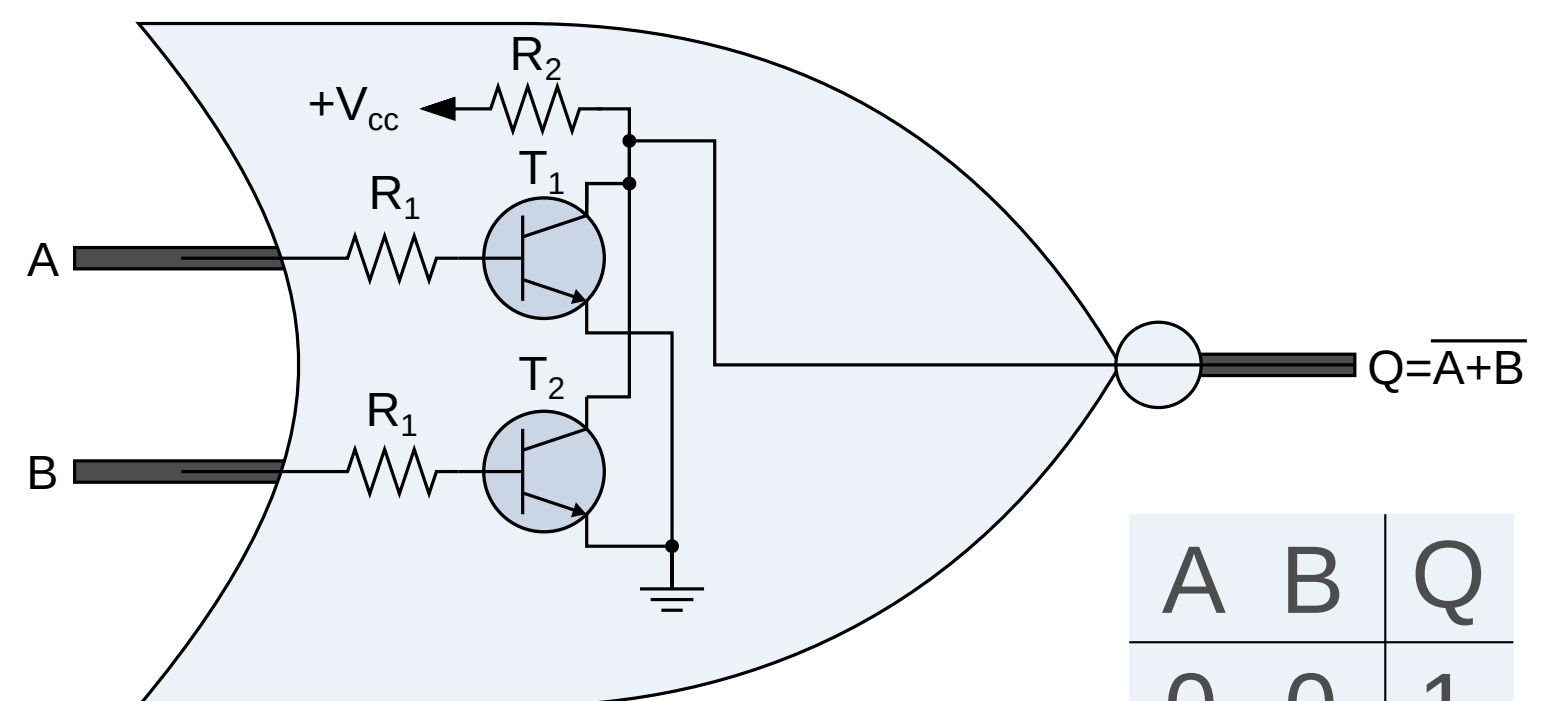
A	Q
0	1
1	0

## OR



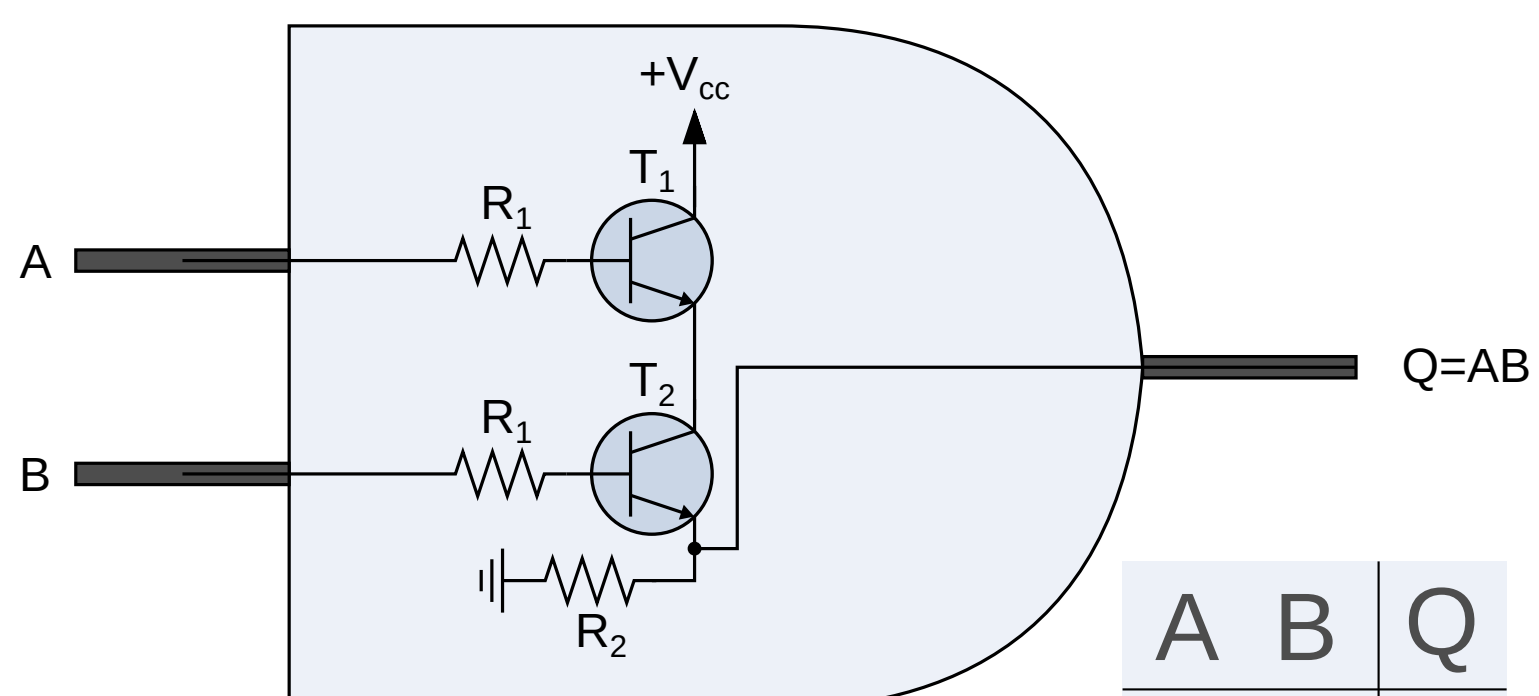
A	B	Q
0	0	0
0	1	1
1	0	1
1	1	1

## NOR



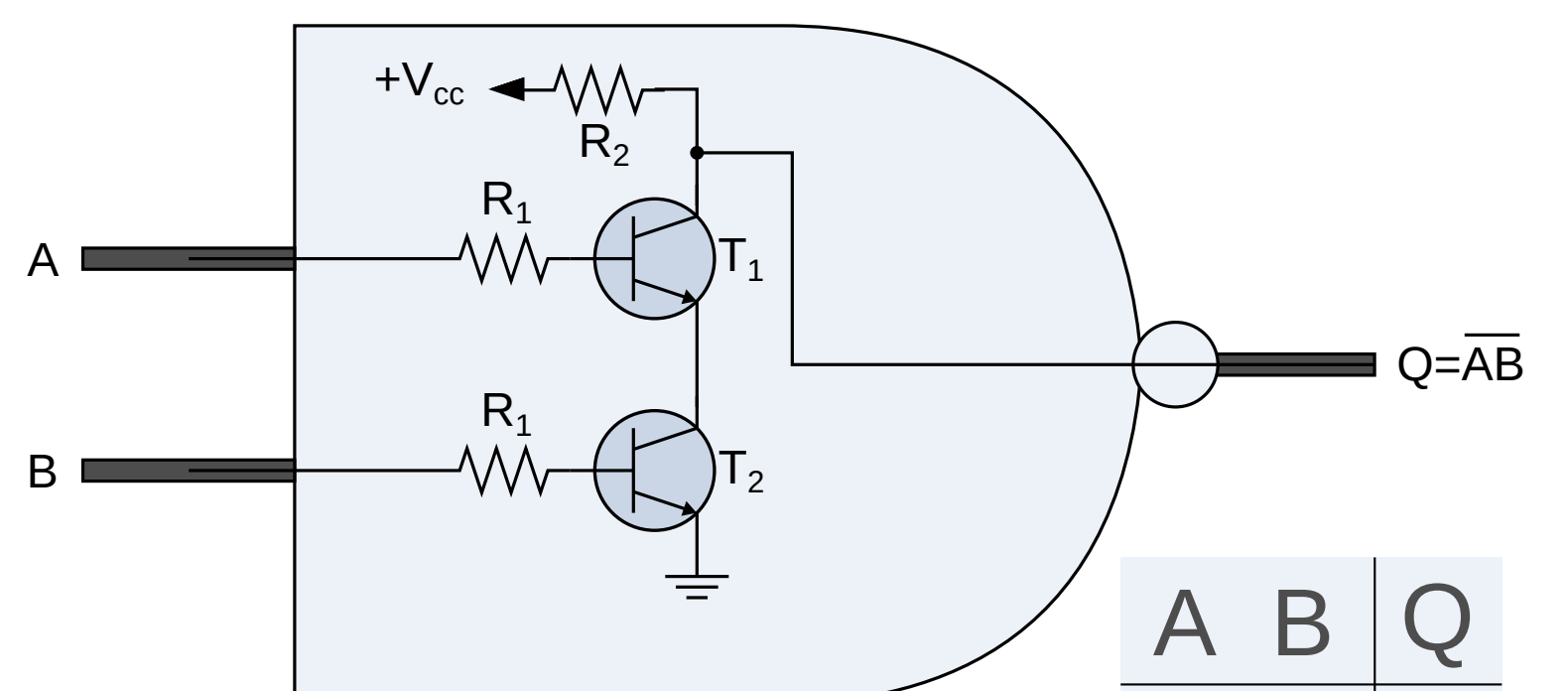
A	B	Q
0	0	1
0	1	0
1	0	0
1	1	0

## AND



A	B	Q
0	0	0
0	1	0
1	0	0
1	1	1

## NAND



A	B	Q
0	0	1
0	1	1
1	0	1
1	1	0