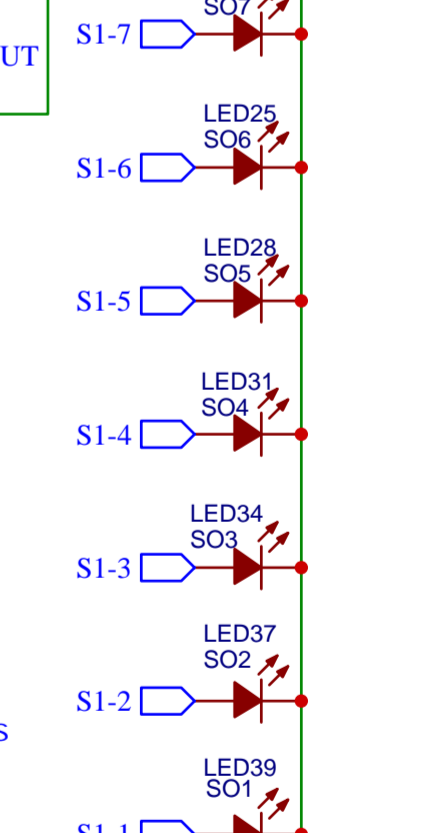
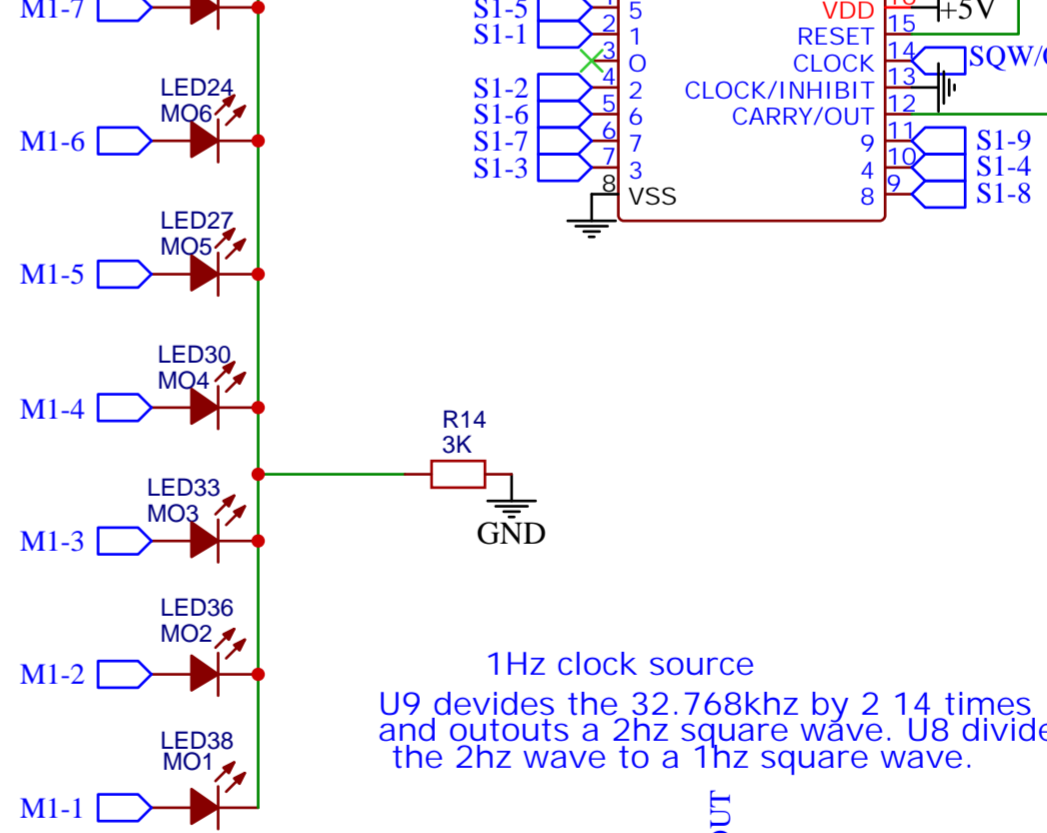
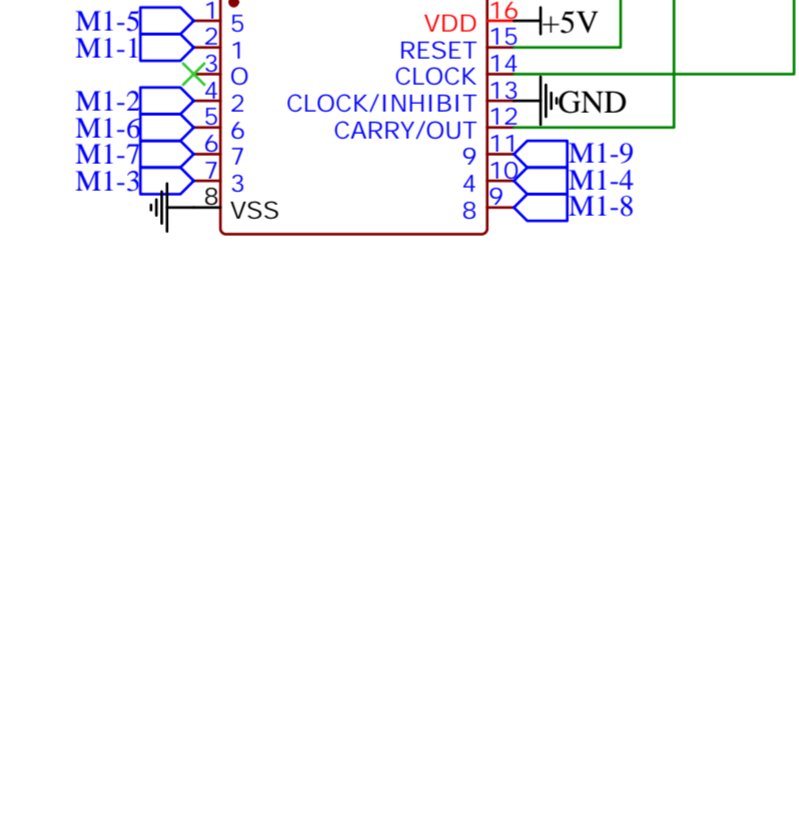
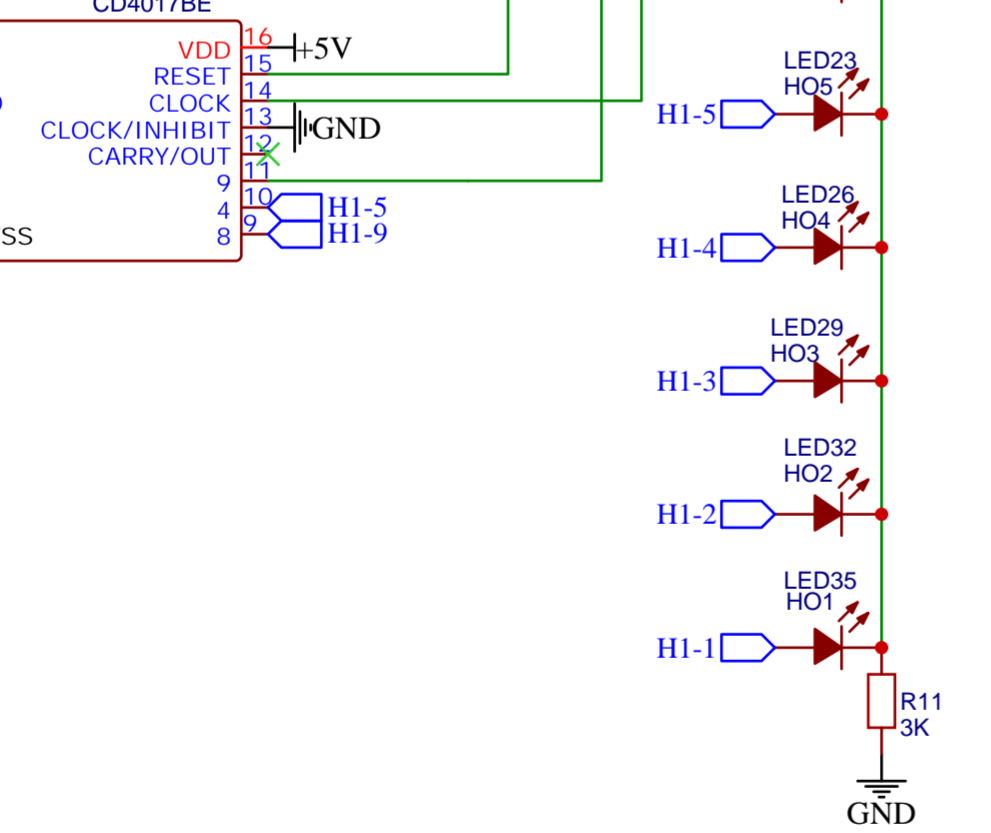
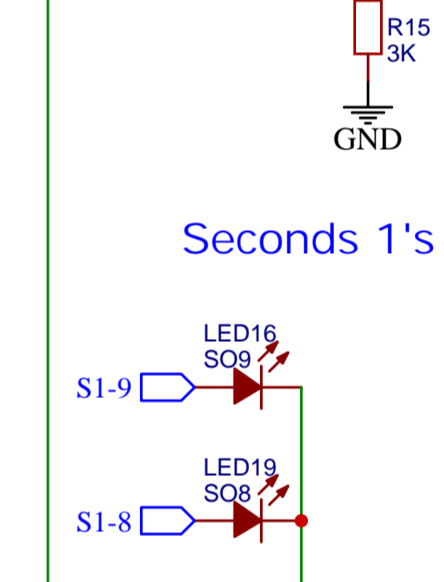
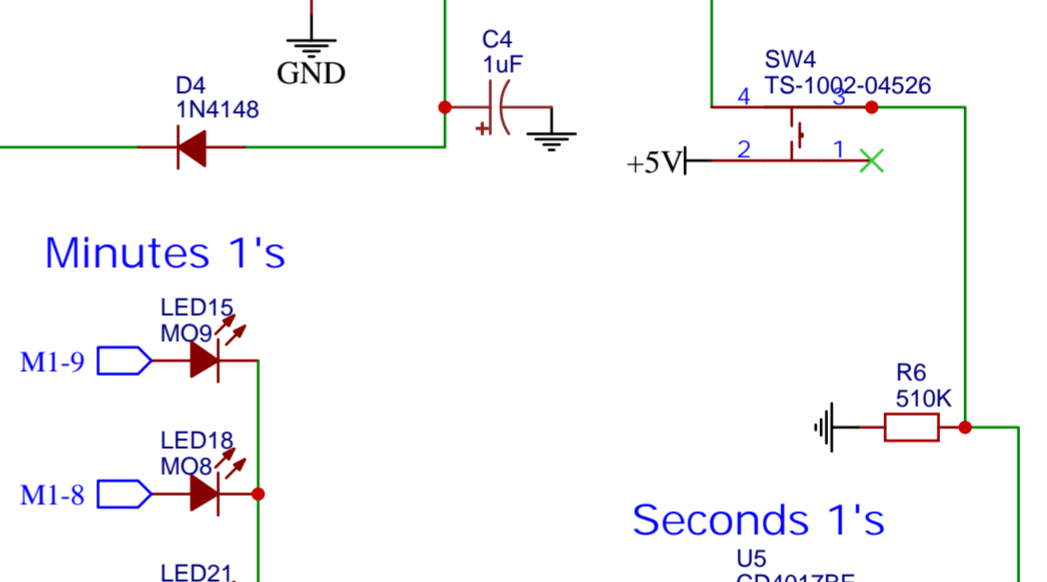
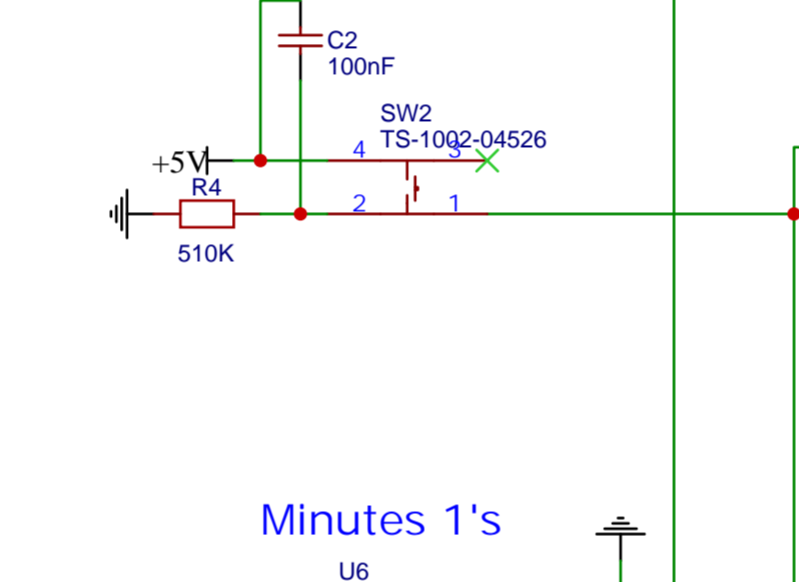
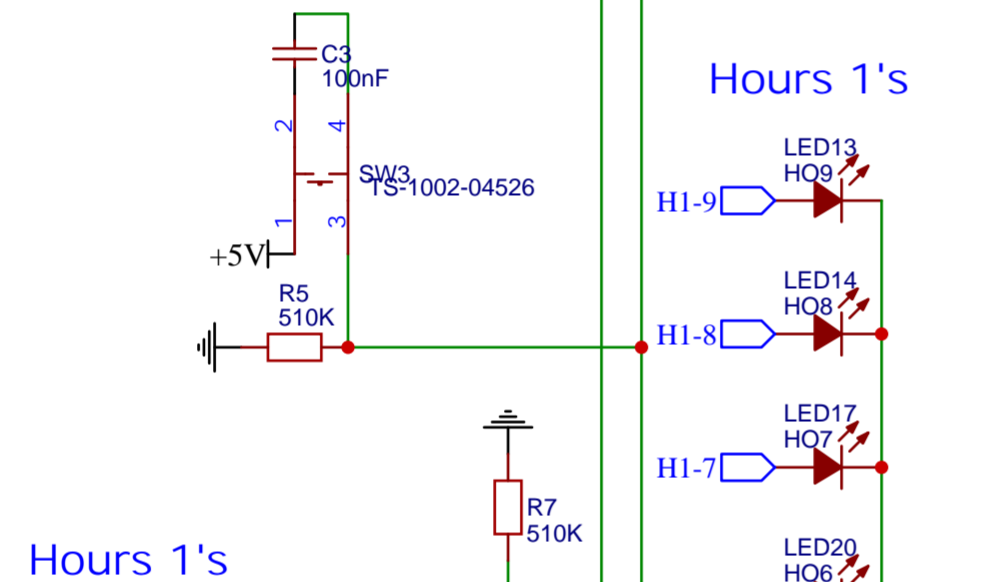
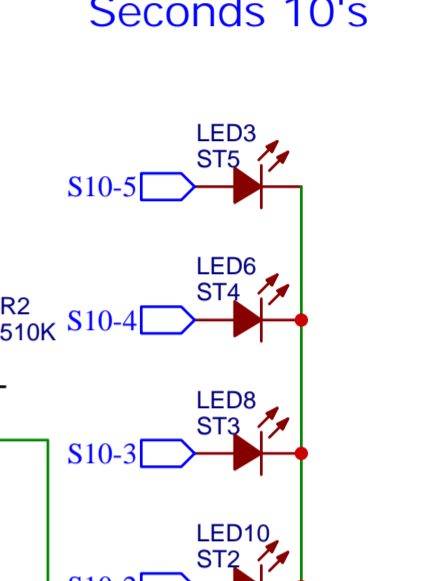
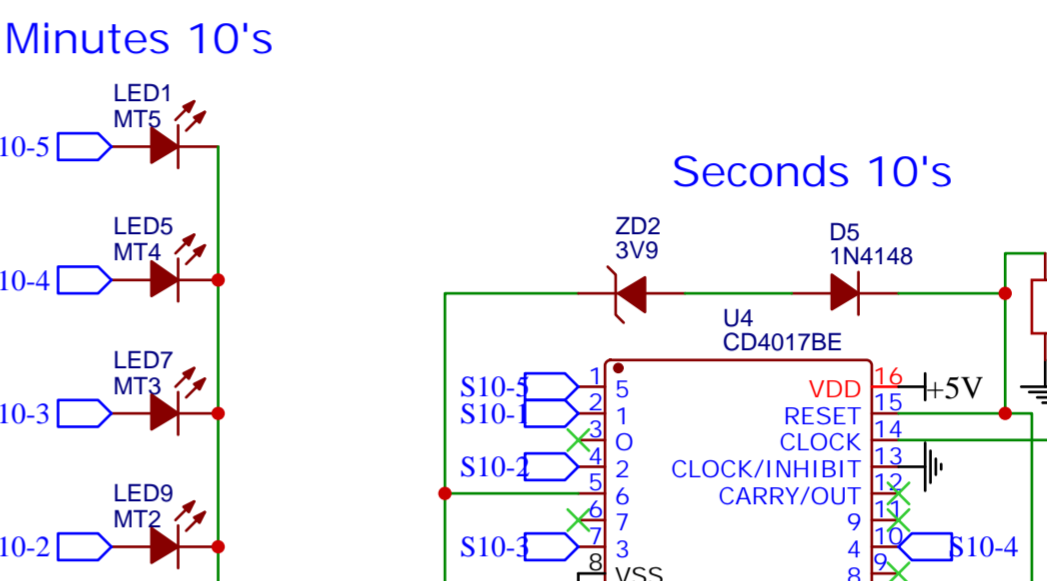
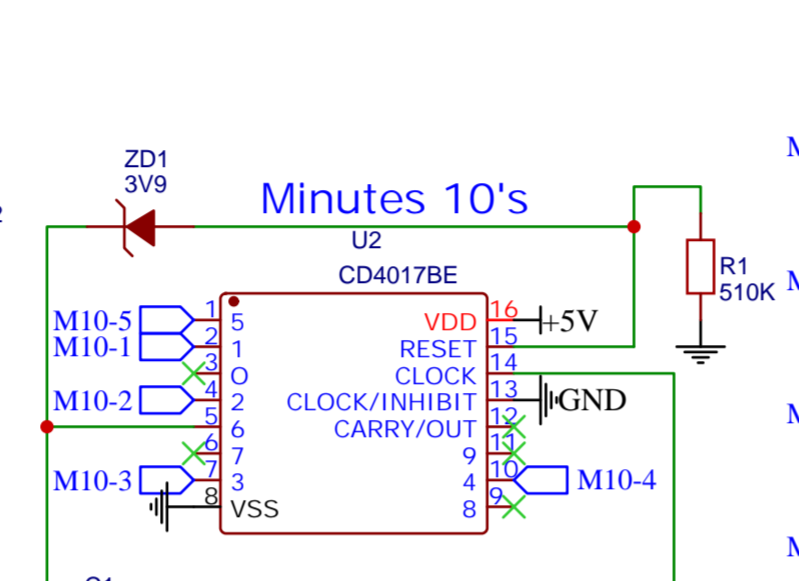
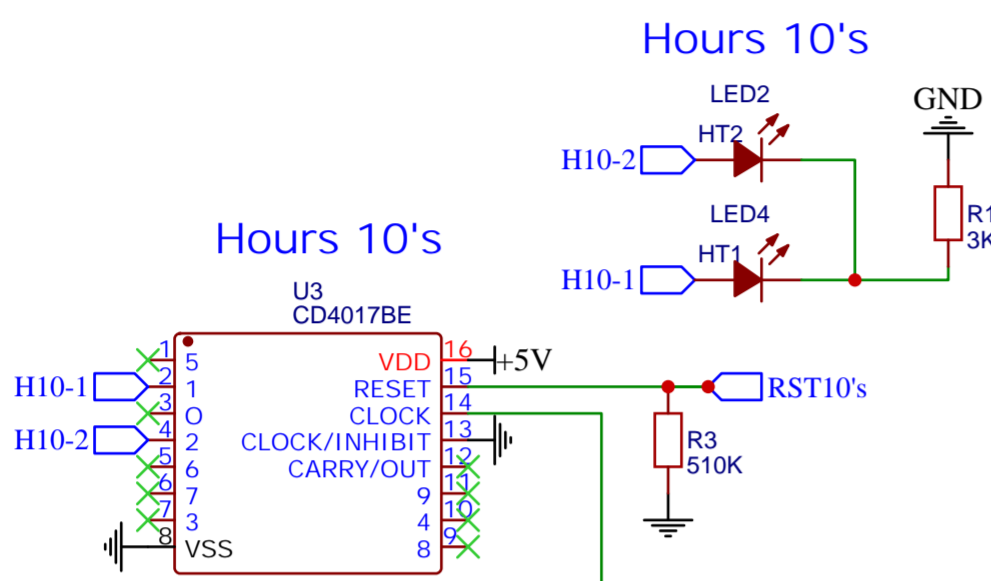
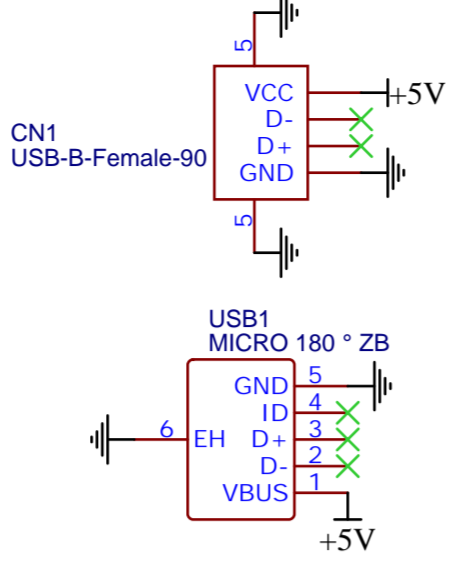
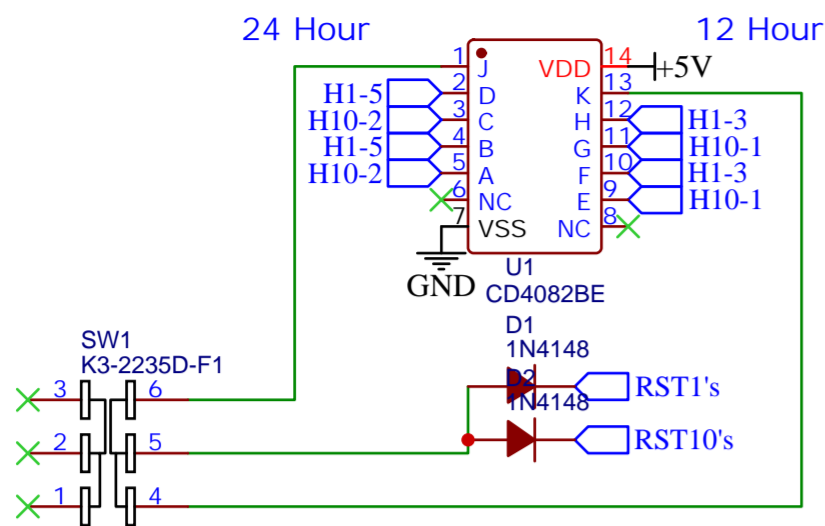


This is an AND gate that resets the hours when the count has reached 13 or 24.



1Hz clock source  
U9 divides the 32.768khz by 2 14 times and outouts a 2hz square wave. U8 divides the 2hz wave to a 1hz square wave.

