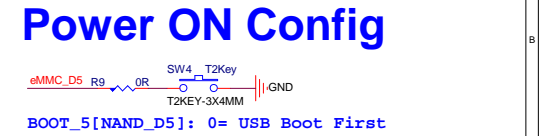
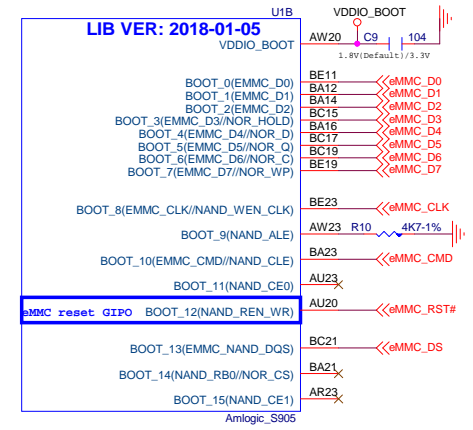
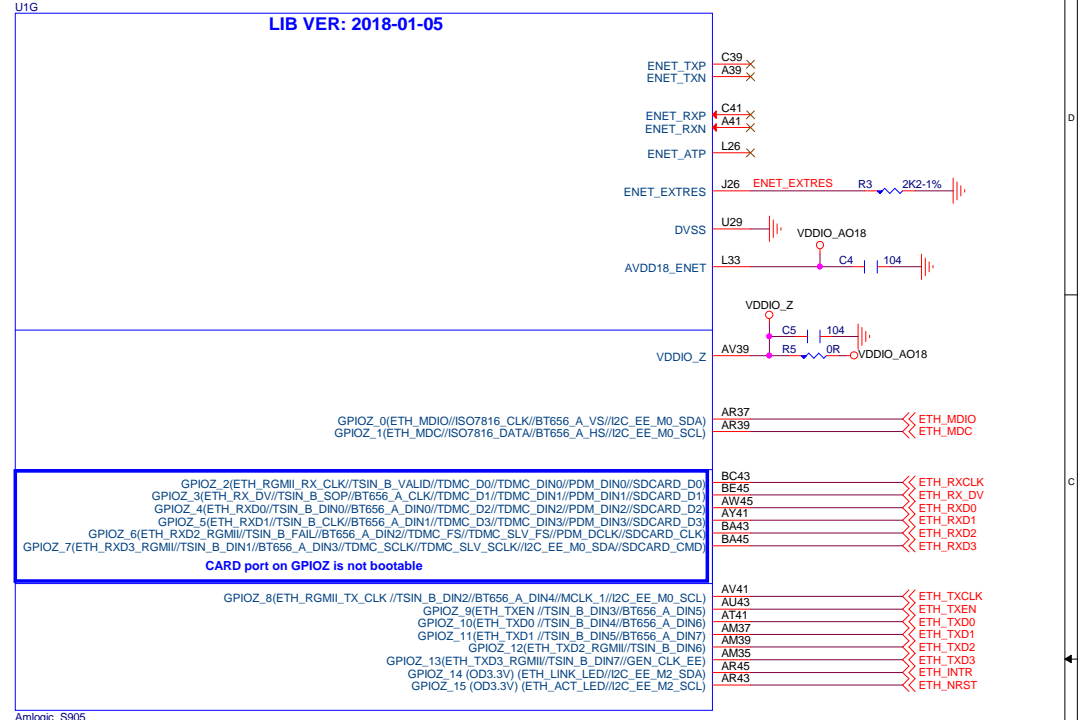
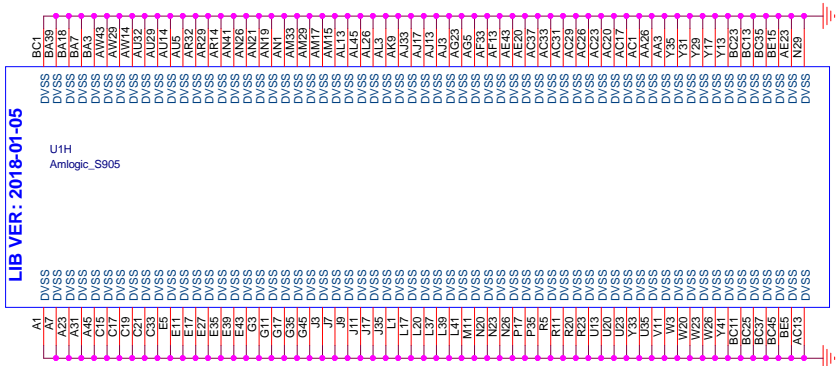
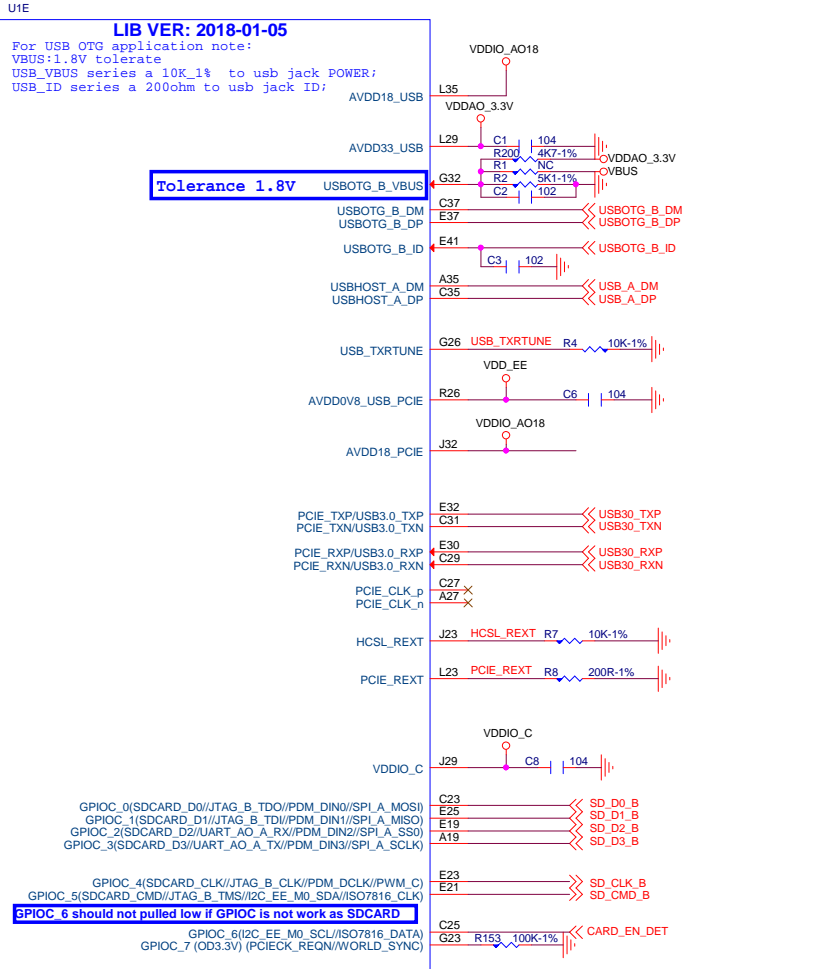
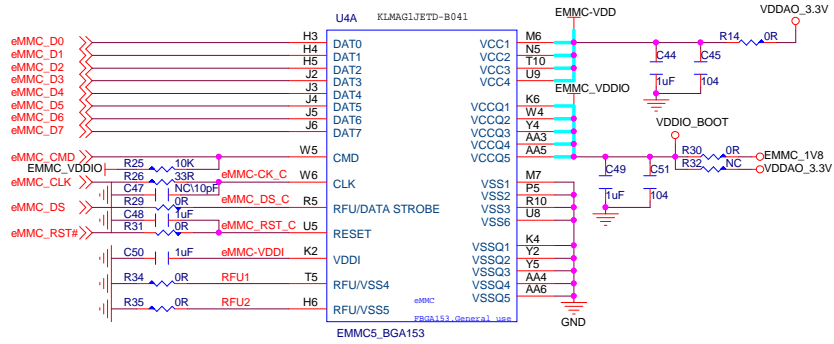


02 CPU01

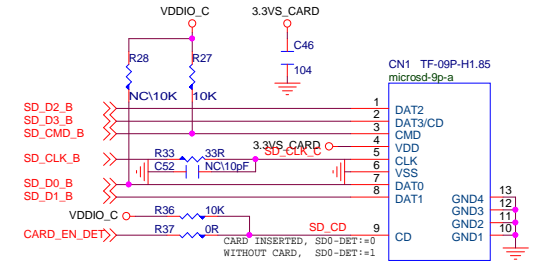
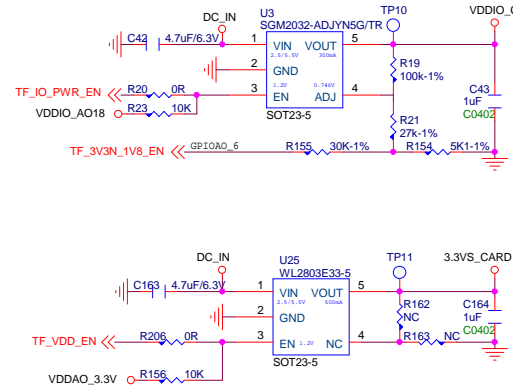


04 MSDC

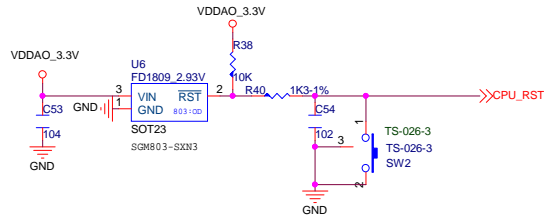
eMMC



MicroSD

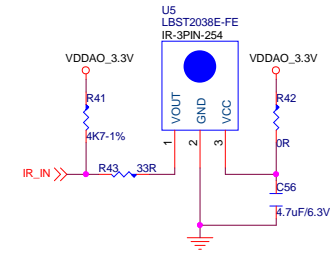


CPU reset



Update button

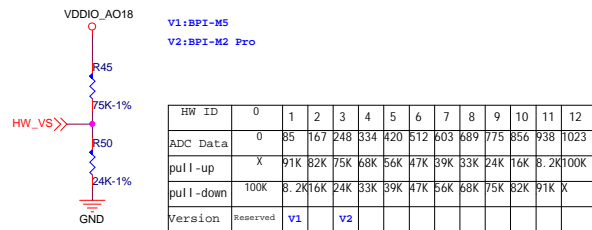
IR-IN



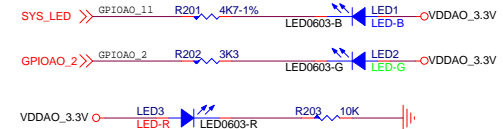
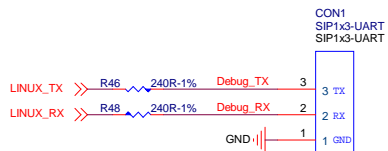
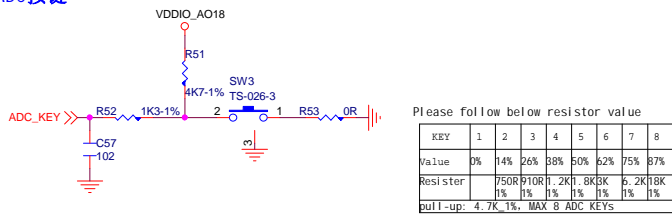
Linux debug

System LED

硬件版本

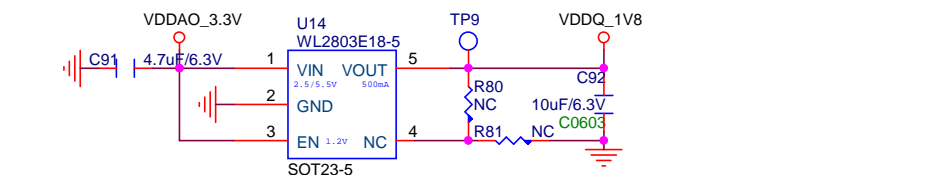
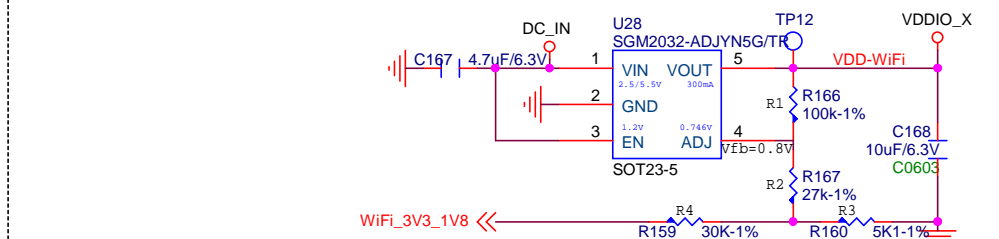
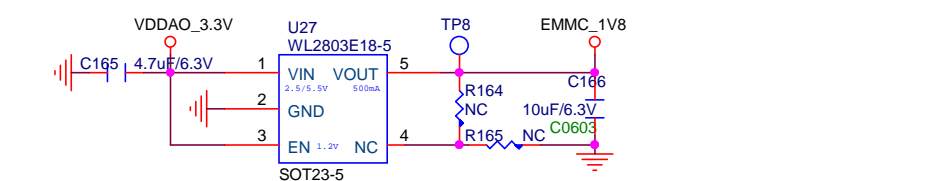
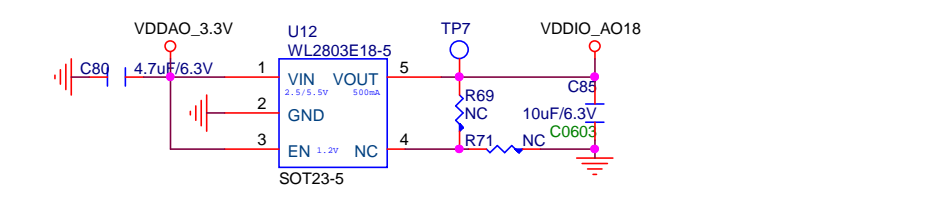
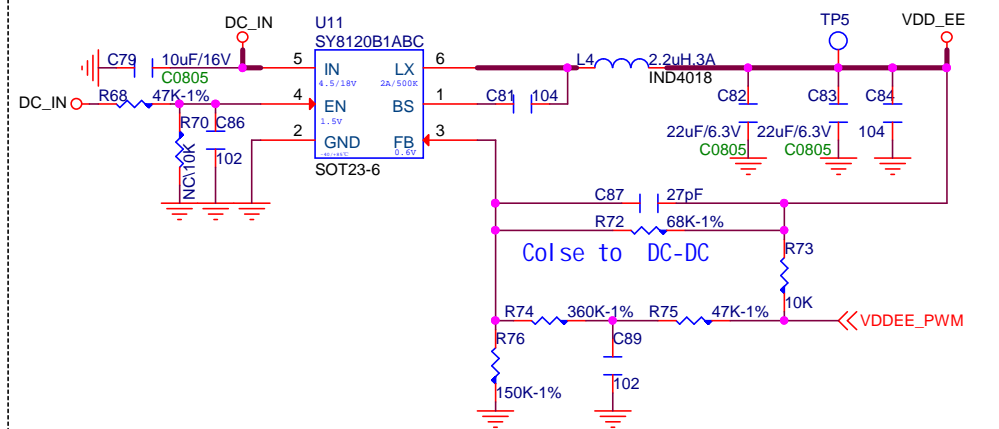
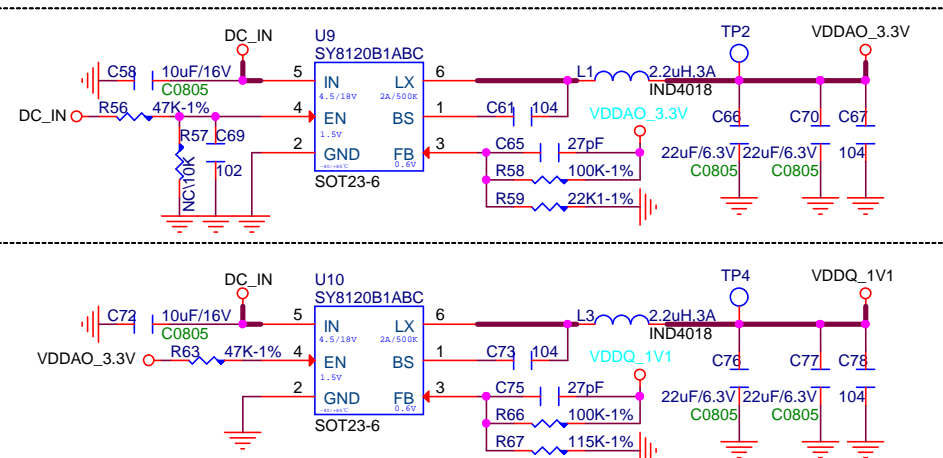
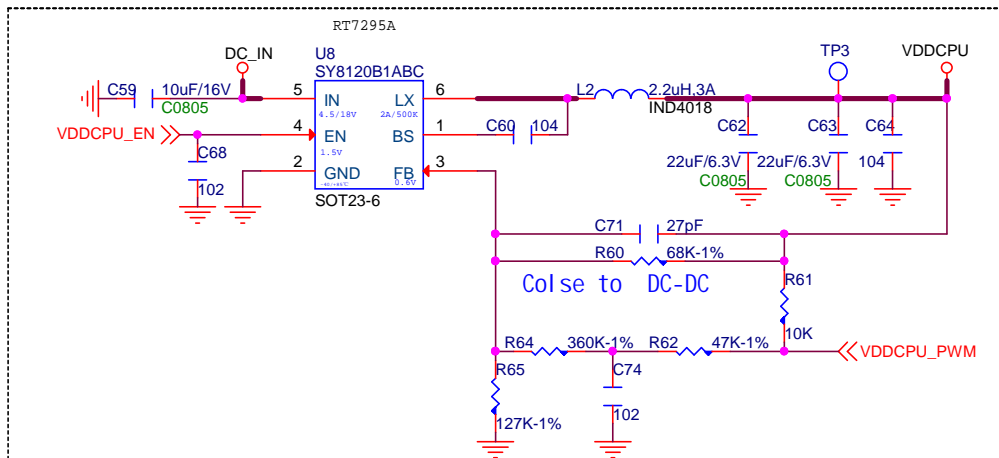



ADC按键



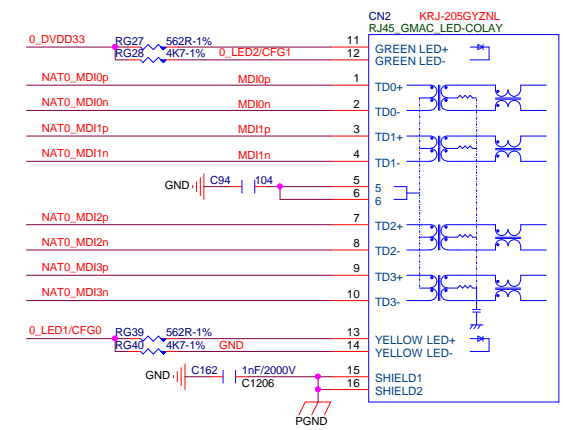
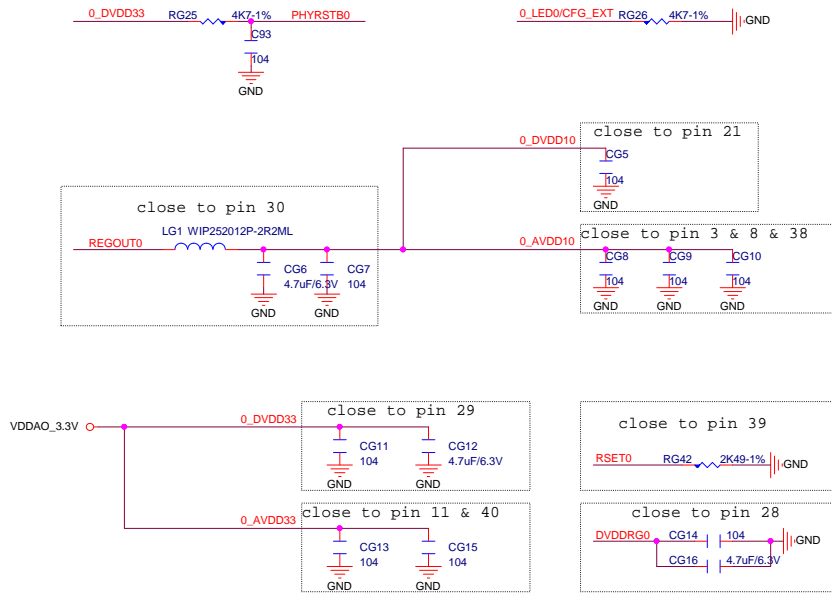
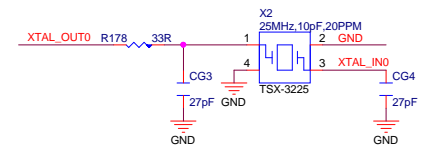
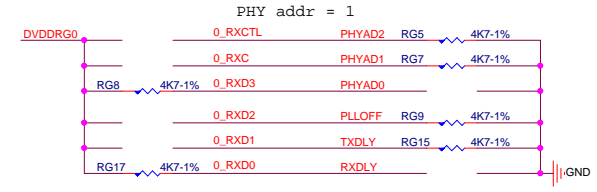
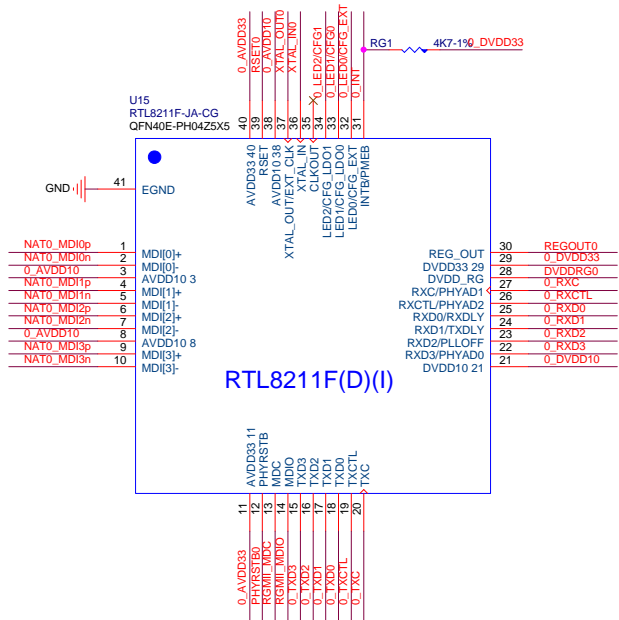
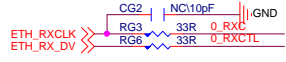
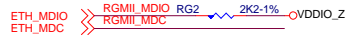
GUANGDONG BIPAI KEJI CPA.LTD			
Design Name		BPI-M2-Pro	
Size	Page Name	MSDC	
A3			Rev V1.0
Date:	Tuesday, March 02, 2021	Sheet	4 of 9

05 Power



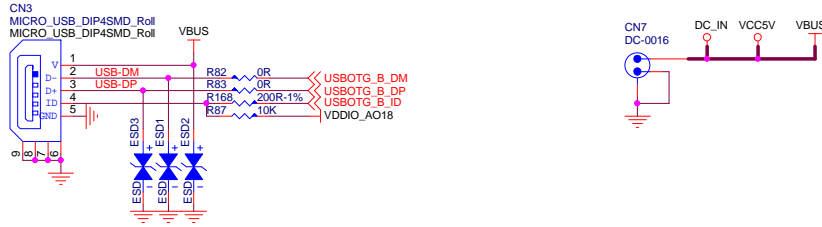
 http://www.banana-pi.org	GUANGDONG BIPAI KEJI CPA.LTD		
	Design Name BPI-M2-Pro		
	Size A4	Page Name Power	Rev V1.0
	Date: Tuesday, March 02, 2021		Sheet 5 of 9

06-Ethernet

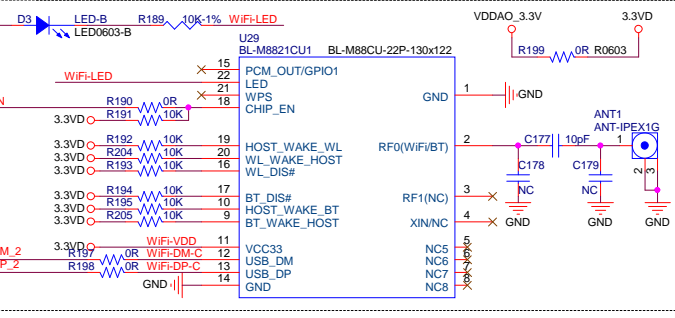
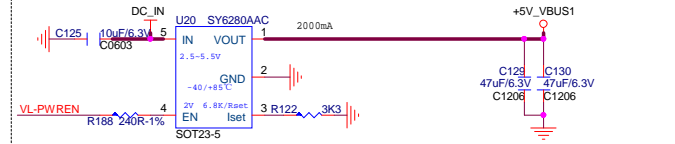
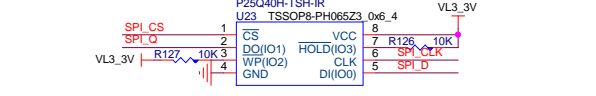
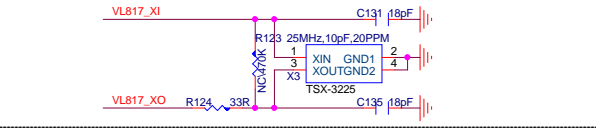
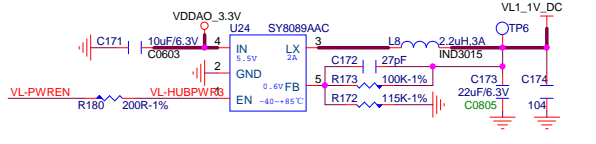
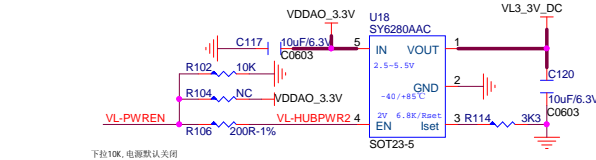
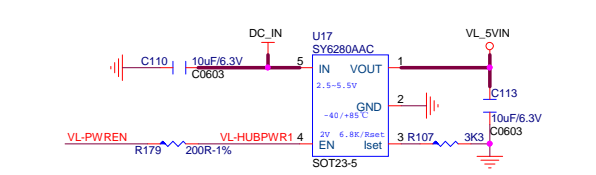
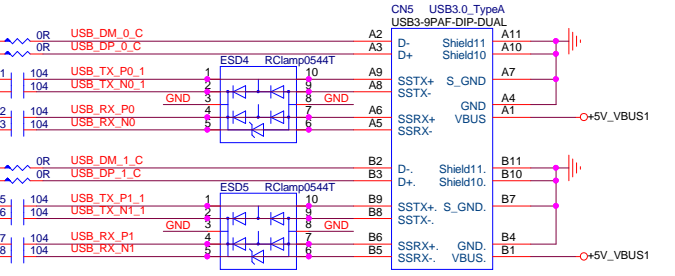
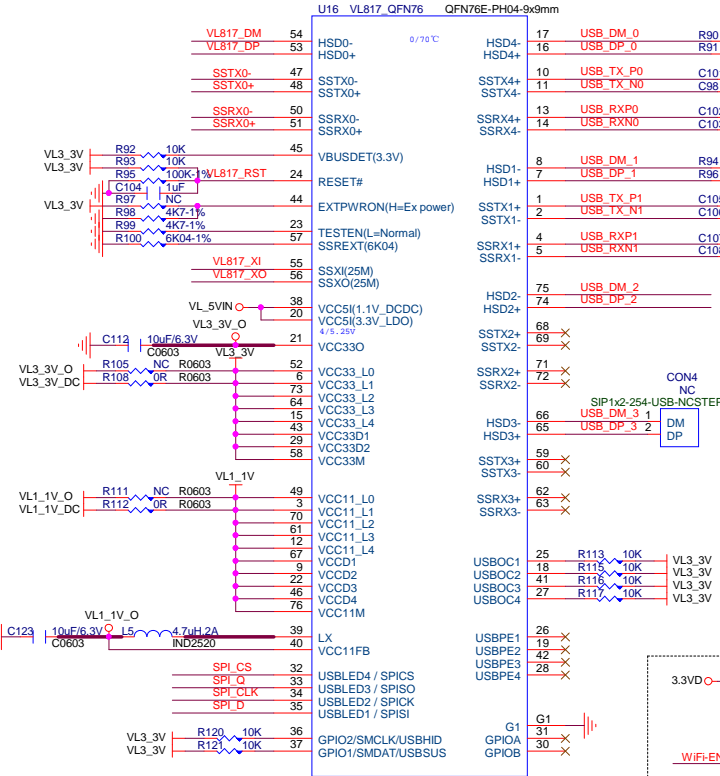
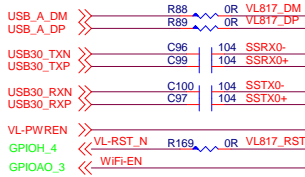



07-USB

TypeC



USB3.0 HUB



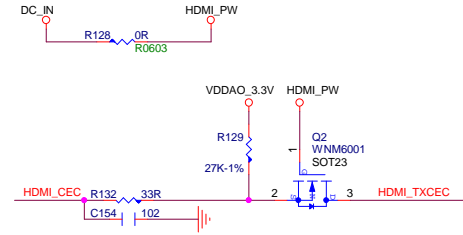
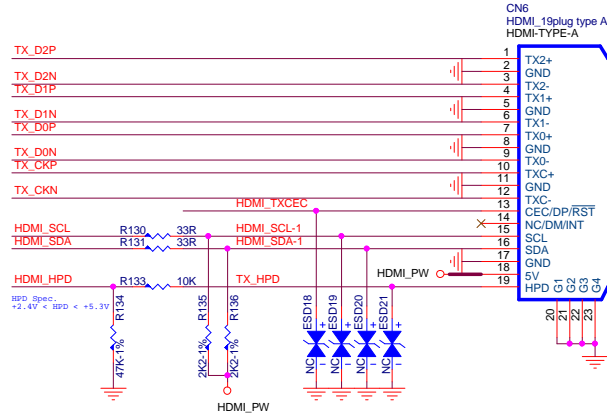
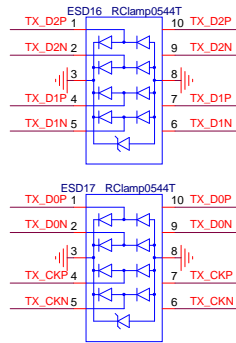
		GUANGDONG BIPAI KEJI CPA.LTD	
		Design Name BPI-M2-Pro	
Size A3	Page Name USB		Rev V1.0
Date: Tuesday, March 02, 2021		Sheet 7 of 9	

08 HDMI-GPIO

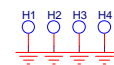
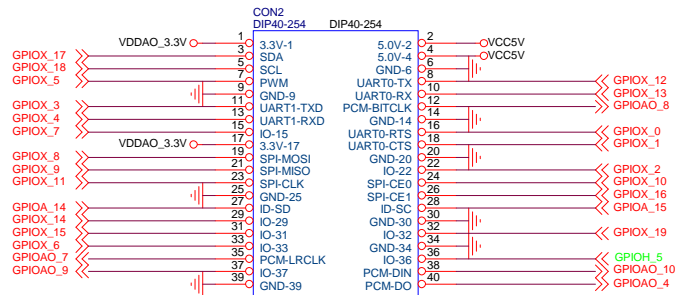
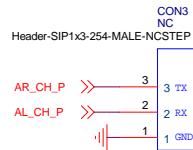
HDMI OUT

HDMI_SDA <-> HDMI_SDA
 HDMI_SCL <-> HDMI_SCL
 HDMI_HPD <-> HDMI_HPD
 HDMI_CEC <-> HDMI_CEC

HDMI_TXCP <-> TX_CKP
 HDMI_TXCN <-> TX_CKN
 HDMI_TX0P <-> TX_D0P
 HDMI_TX0N <-> TX_D0N
 HDMI_TX1P <-> TX_D1P
 HDMI_TX1N <-> TX_D1N
 HDMI_TX2P <-> TX_D2P
 HDMI_TX2N <-> TX_D2N



Audio DAC OUT



		GUANGDONG BIPAI KEJI CPA.LTD	
		Design Name BPI-M2-Pro	
Size A3	Page Name HDMI-GPIO	Rev V1.0	
Date: Tuesday, March 02, 2021		Sheet 8 of 9	