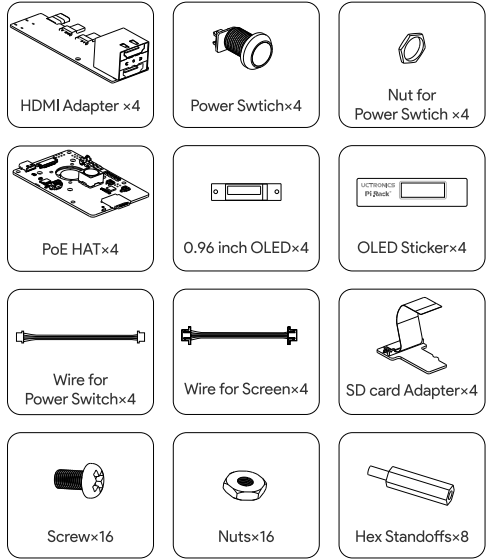
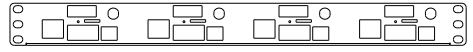
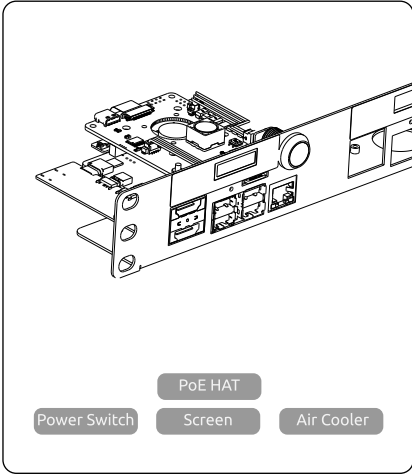


UCTRONICS

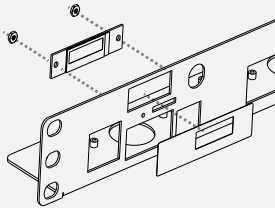
Rackmount with PoE functionality for Raspberry Pi 4



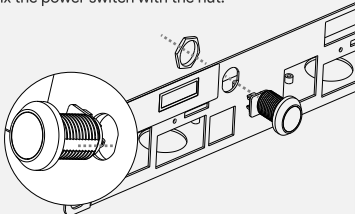
INSTALLATION

INSTALLATION

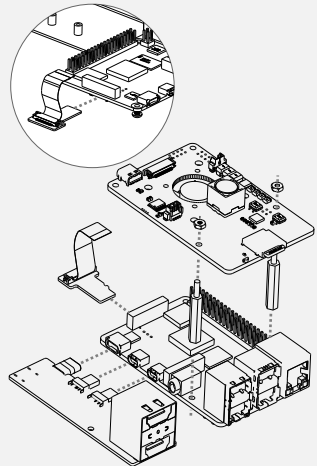
- 1 Fix the OLED on the rack with nut and stick the OLED sticker.



- 2 Fix the power switch with the nut.

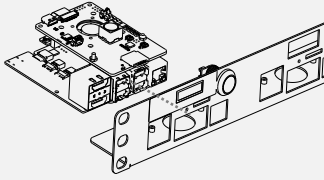


- 3 Assemble the HDMI adapter and PoE HAT, and plug in the SD card adapter.

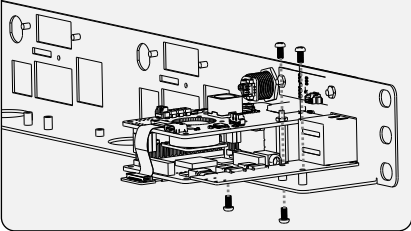


INSTALLATION

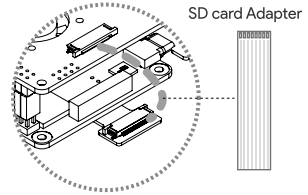
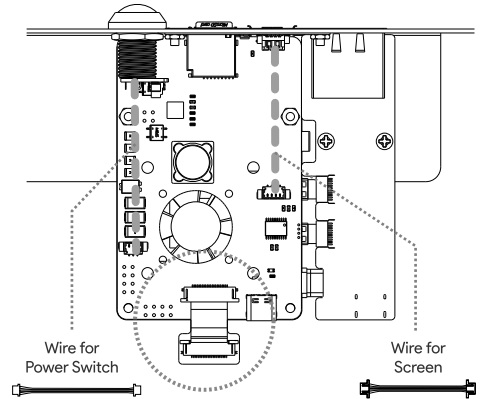
- 4 Align the holes and insert RPi into the rack.



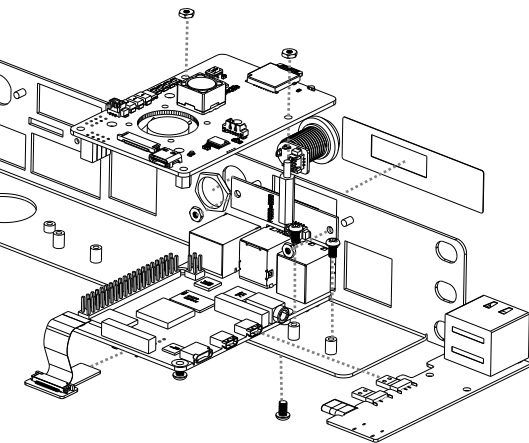
- 5 Fix with screws.



WIRING



EXPLODED VIEW



NOTE

The OLED display will turn on automatically and read the stats (CPU/Memory load, IP address, temperature, etc.) as soon as Raspbian's booted up, you can also program it to show something else.

Code library:
https://github.com/UCTRONICS/U6143_ssd1306.git

