

A

B

C

D

E

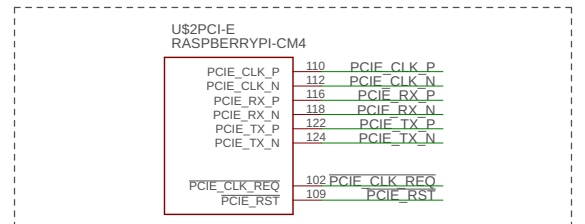
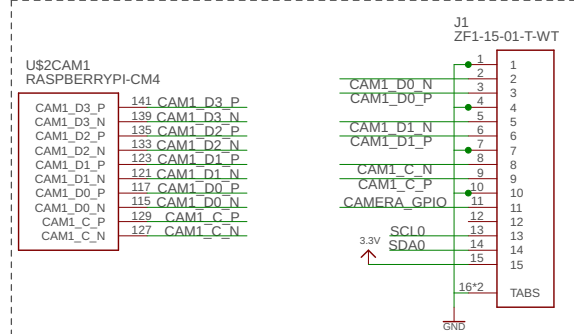
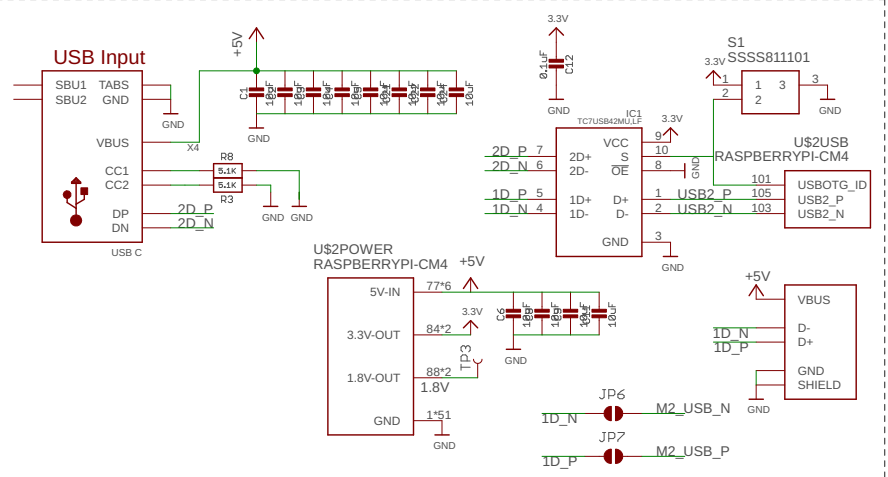
A

B

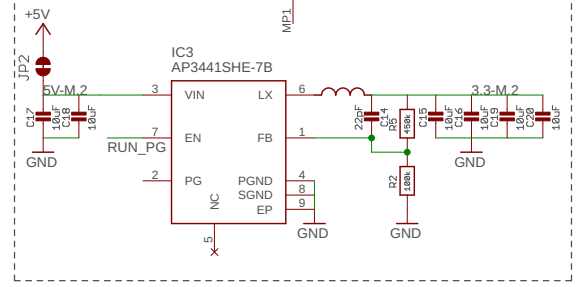
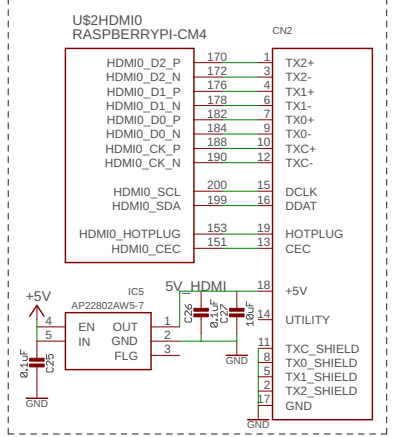
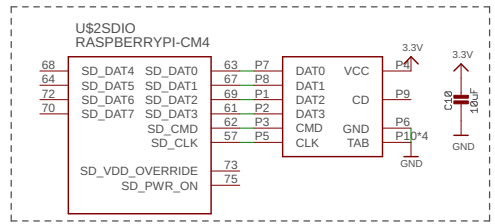
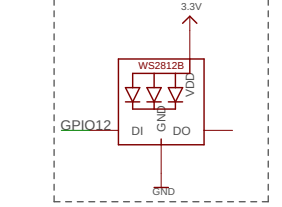
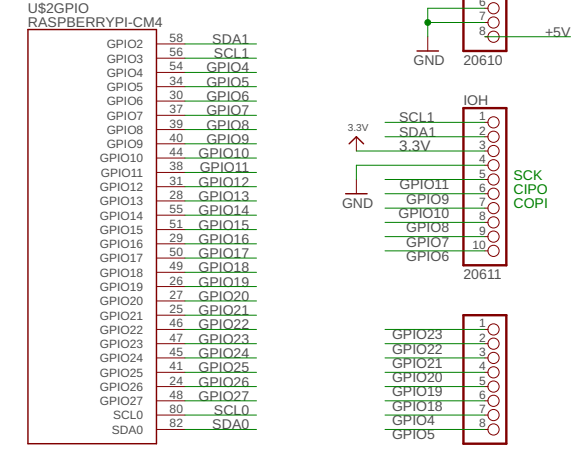
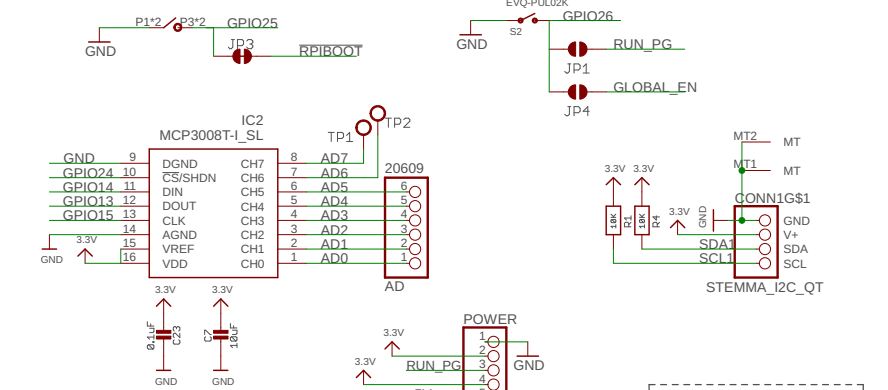
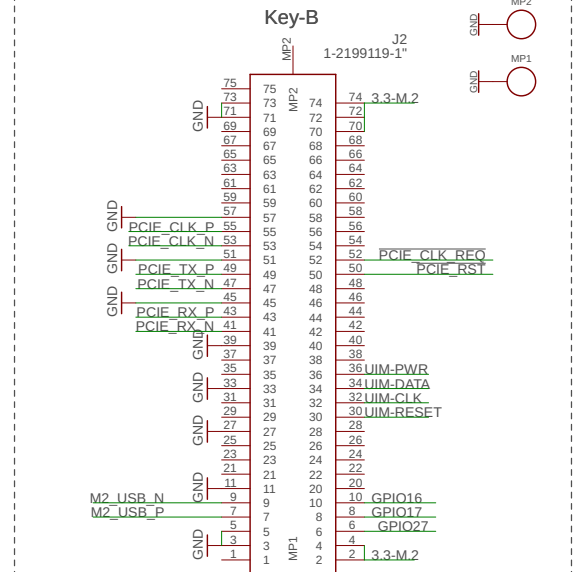
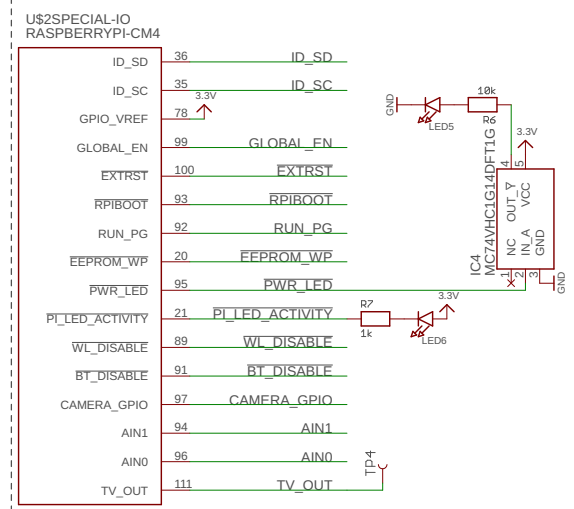
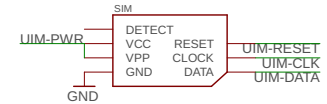
C

D

E



[https://web.archive.org/web/20200613074028/http://read.pudn.com/downloads/794/doc/project/3133918/PCIe\\_M\\_2\\_Electromechanical\\_Spec\\_Rev1.0\\_Final\\_11012013\\_RS\\_Clean.pdf](https://web.archive.org/web/20200613074028/http://read.pudn.com/downloads/794/doc/project/3133918/PCIe_M_2_Electromechanical_Spec_Rev1.0_Final_11012013_RS_Clean.pdf)  
Page 154



Author: Timon Skurtsch  
Piunora  
24/08/2021 13:12  
Sheet: 1/1