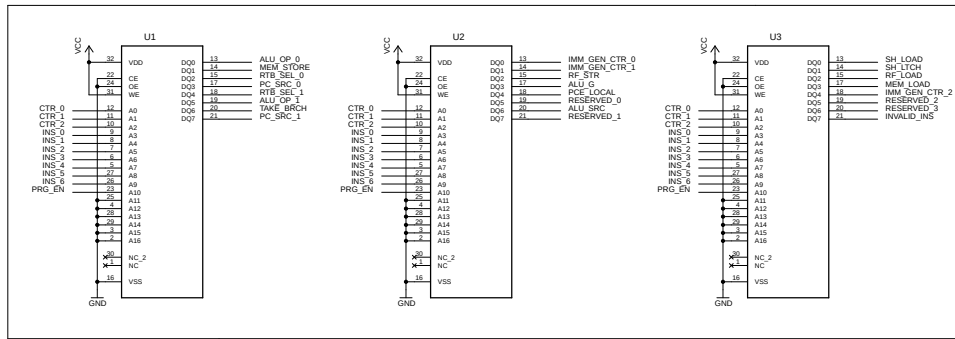
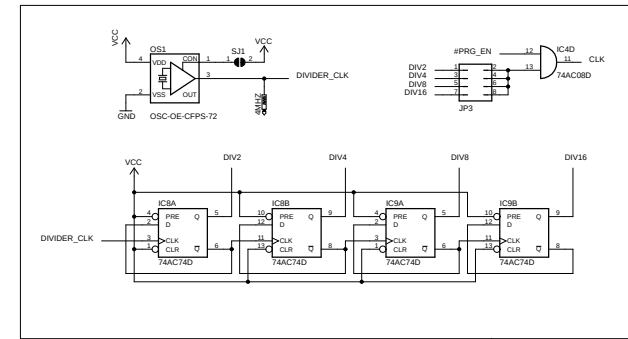


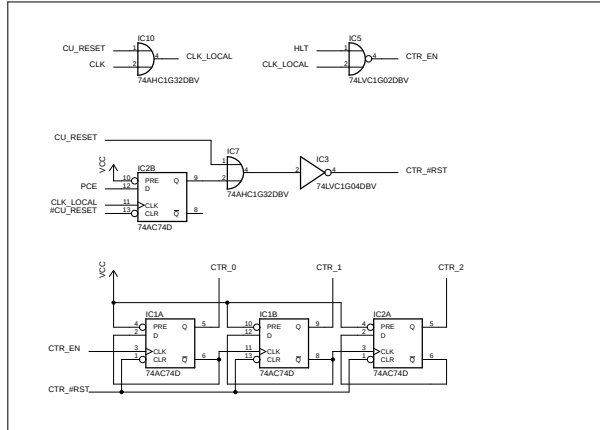
Control Unit



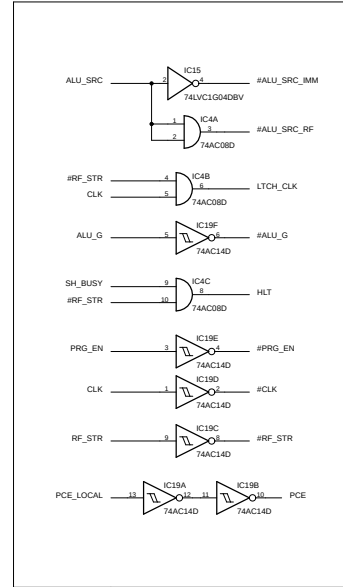
Clock



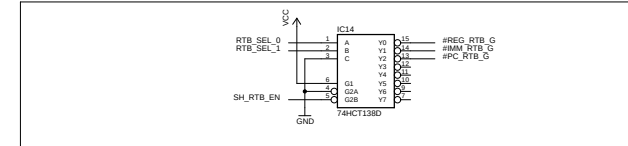
Micro Counter



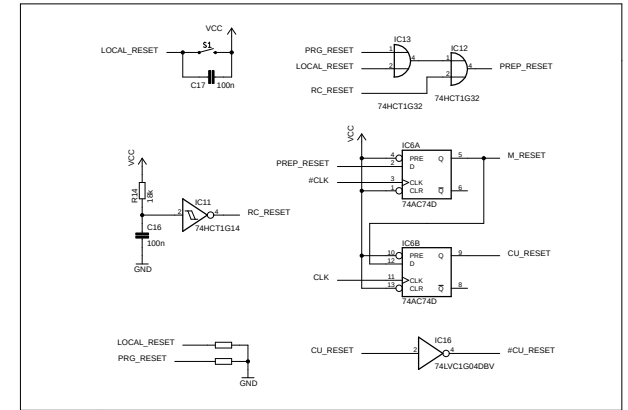
Additional logic



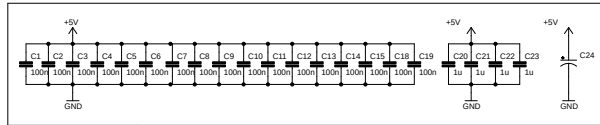
Return BUS select



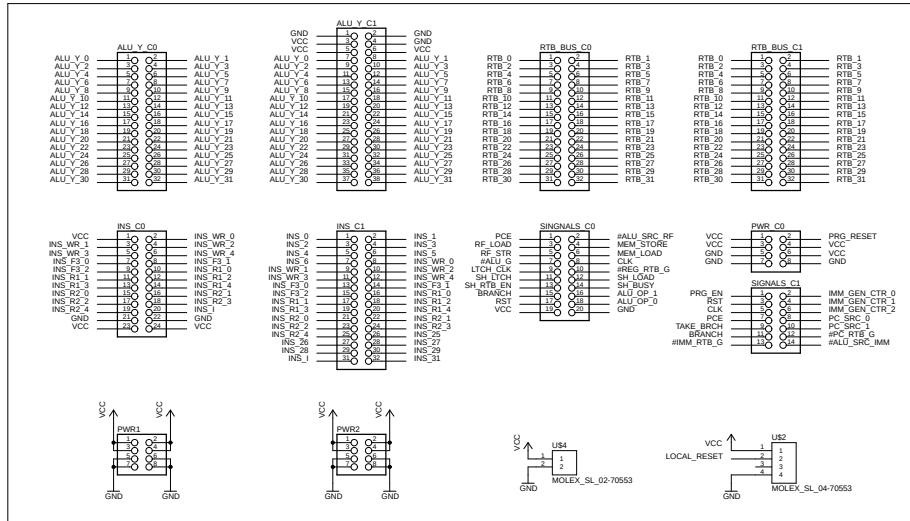
Reset



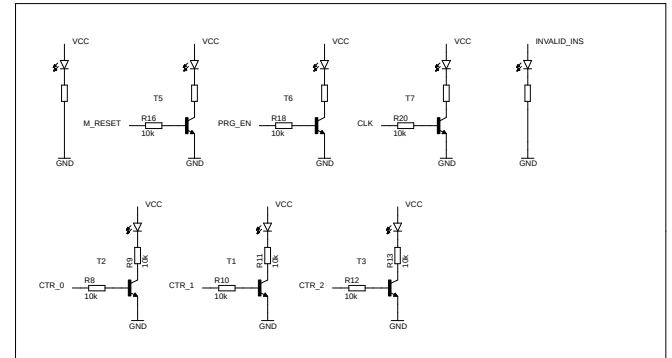
Decoupling capacitors



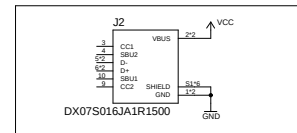
Connectors



LEDs



USB-C



CONTROL UNIT  
28/10/2020