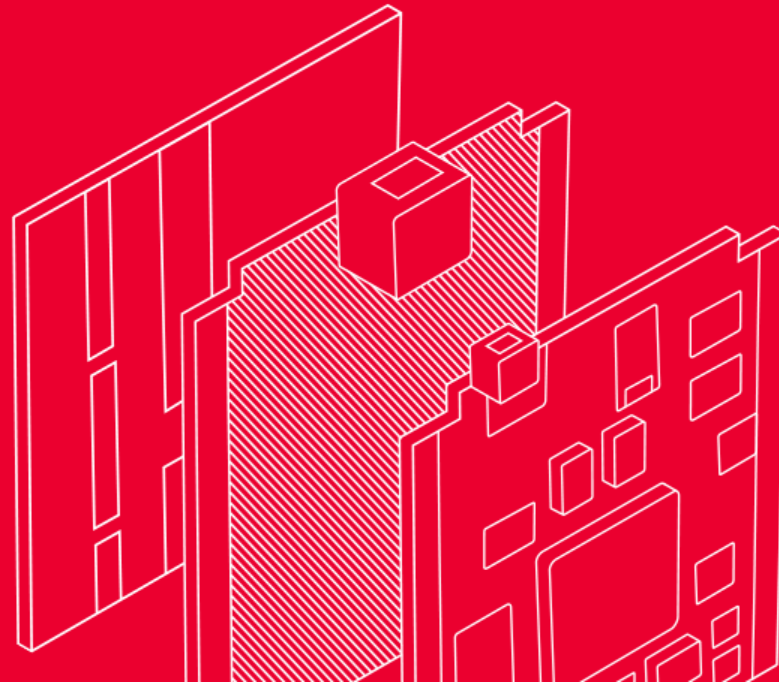
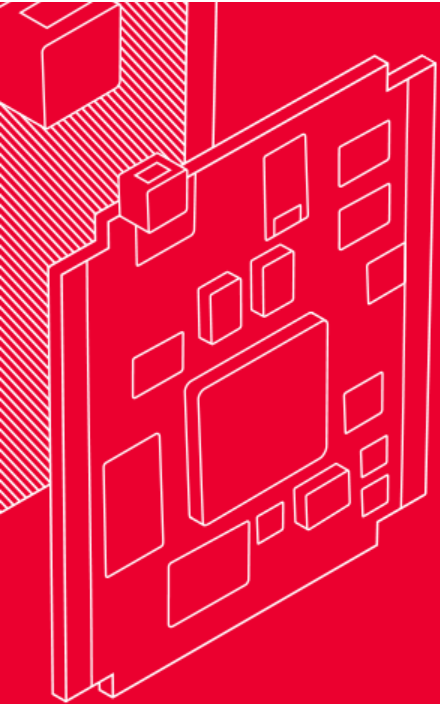
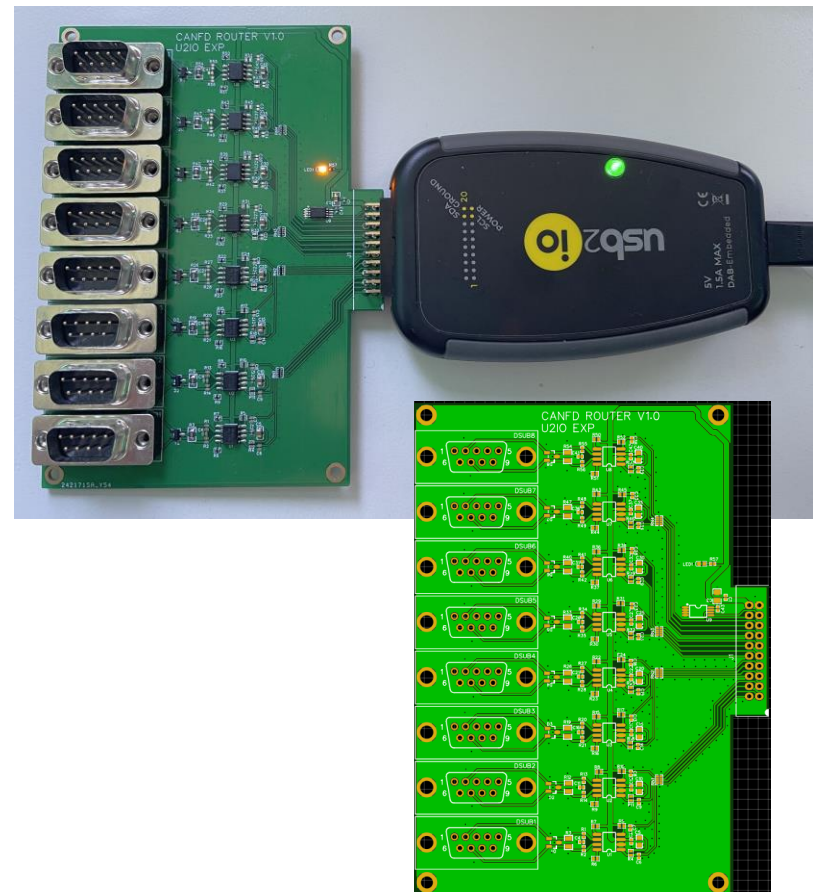


# CAN ROUTER



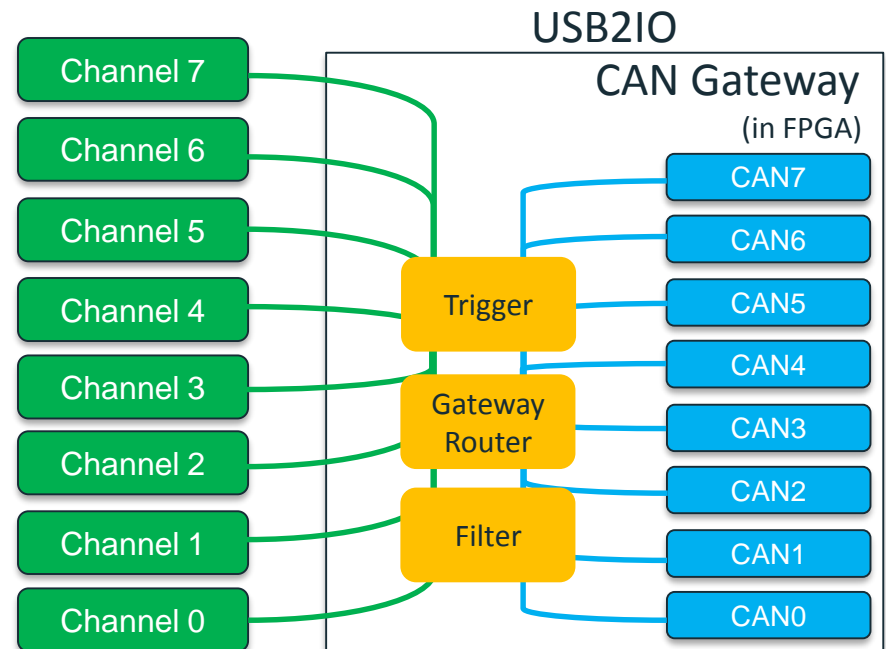
# CAN ROUTER

- 8x CAN 2.0 A/B/ FD channels
- Up to 5 Mbps (FD rate)
- Compatible with ISO 11898-2
- ESD protection
- Hardware CAN router/gateway
- Routing between channels
- Filters (by mask and range)
- Inclusive and exclusive filters
- Data analysis
- Data collection (recording on PC)
- Triggering system



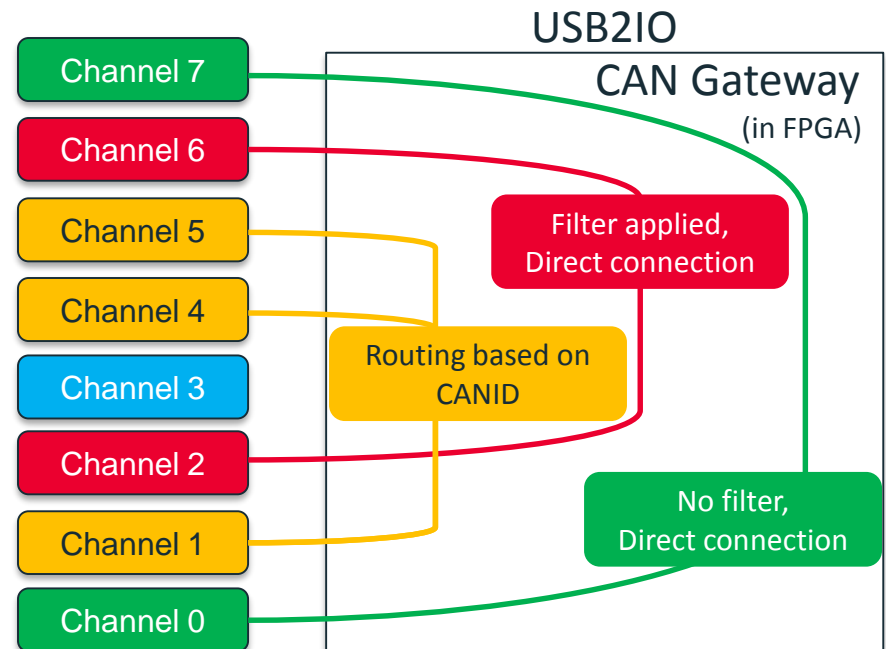
# CAN ROUTER – INTERNAL STRUCTURE

- Gateway/router
- Filter
- 8x independent CAN controllers
- 8x channels



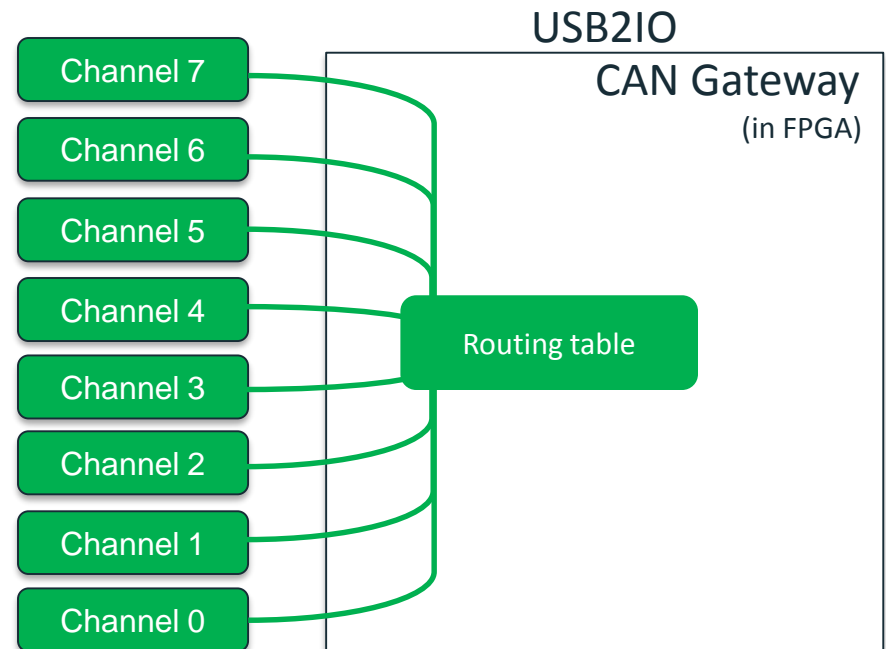
## CAN ROUTER – GATEWAY FEATURE

- Direct channel-to-channel connection
- Routing based on CAN-ID or data, including filters
- Various filters (inclusive, exclusive, range filters) based on CAN-ID and data field
- PC controls gateway feature (set/clear filter can be done from PC over USB channel)



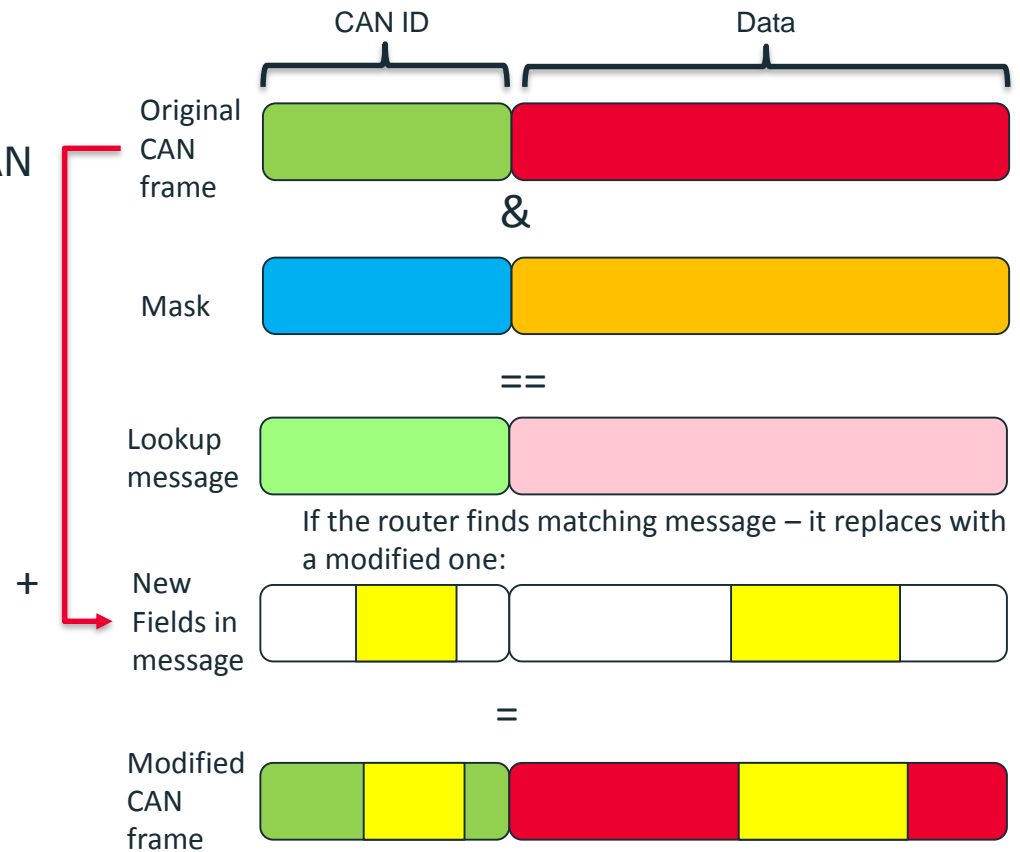
## CAN ROUTER – GATEWAY FEATURES

- X-entry router table
- Router table with:
  - CANID (11- and 29- bits)
  - Data
  - Data size
  - Masks
  - Channel ID + Mask
- Routing table can be changed from PC



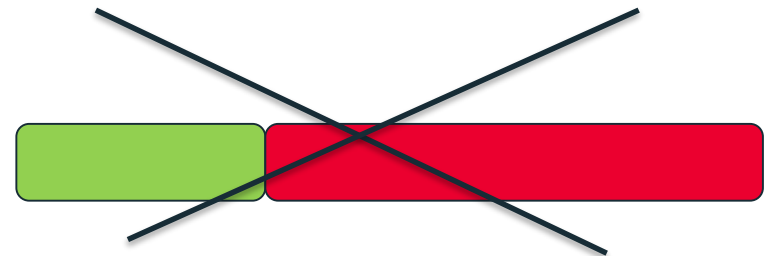
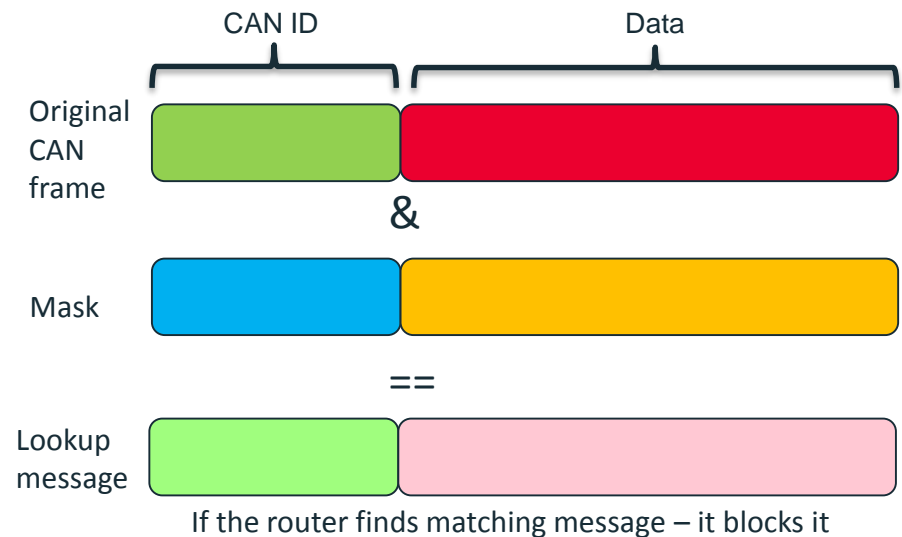
# CAN ROUTER – GATEWAY FEATURES

- CAN ID or Data replacement
  - Looking for matching CAN ID or Data
  - Replace CAN ID (bits) and/or Data field



# CAN ROUTER – GATEWAY FEATURES

- CAN ID or Data blacklist
  - Blocking CAN messages by matching CANID or data field





Karel Van de Woestijnelaan 2  
Aartselaar 2630, Belgium

[www.dab-embedded.com](http://www.dab-embedded.com)

[info@dab-embedded.com](mailto:info@dab-embedded.com)

phone +32 472 889 105