

6 5 4 3 2 1

D

D

C

C

B

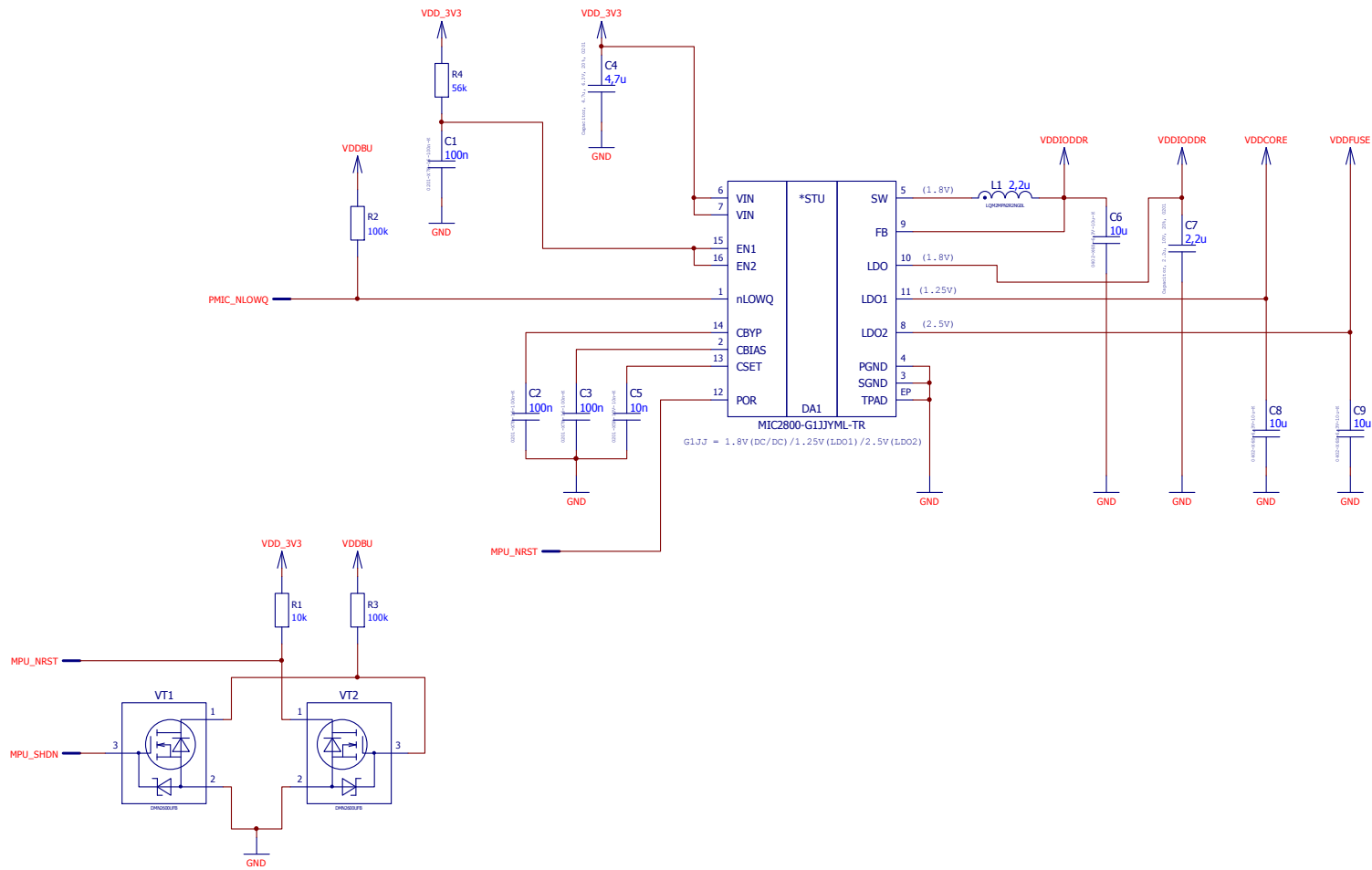
B

A

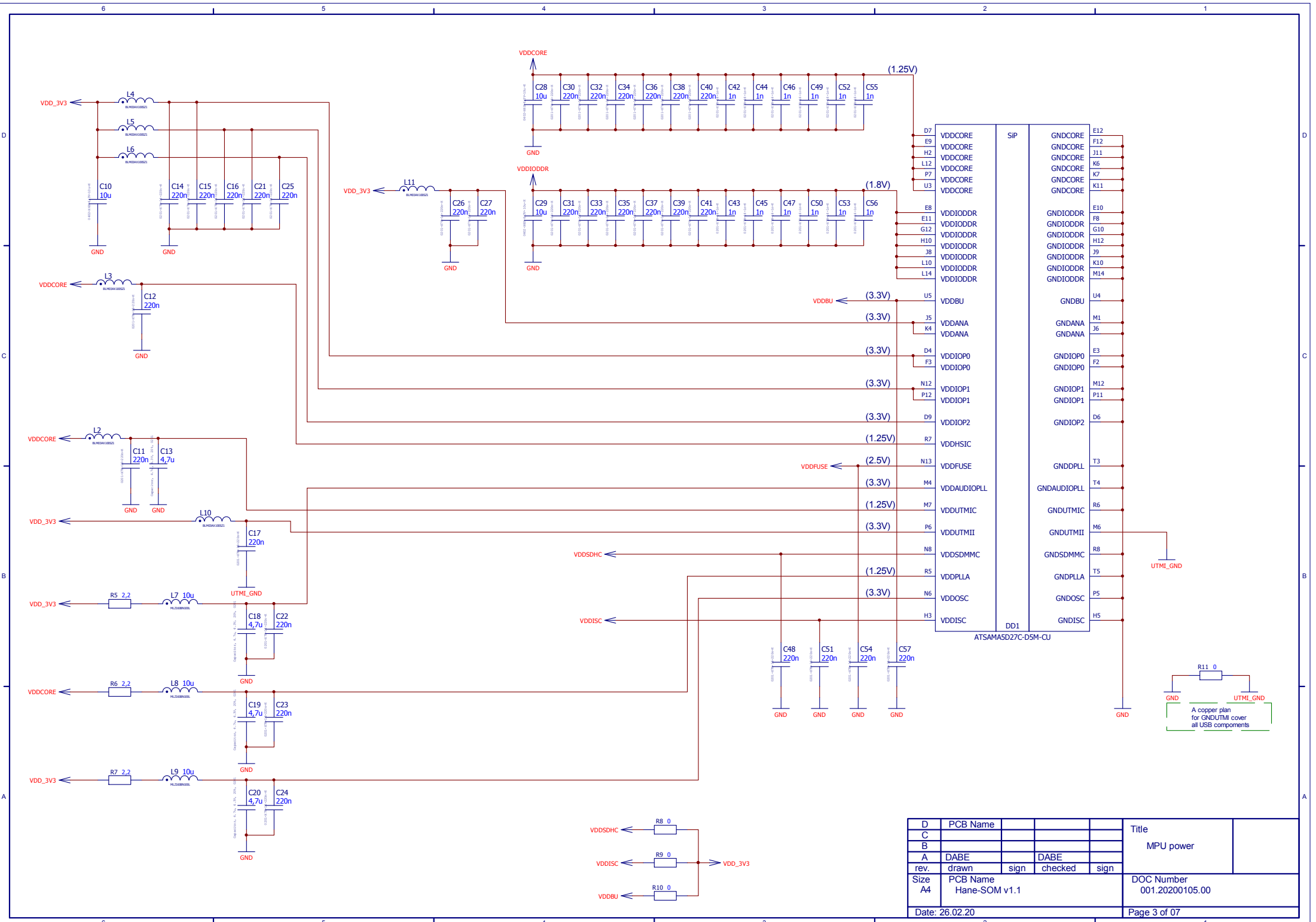
A

D					Title Block schematic	
C						
B						
A	DABE		DABE			
rev.	drawn	sign	checked	sign		
Size A4	PCB Name Hane-SOM v1.1			DOC Number 001.20200105.00		
Date: 26.02.20					Page 1 of 07	

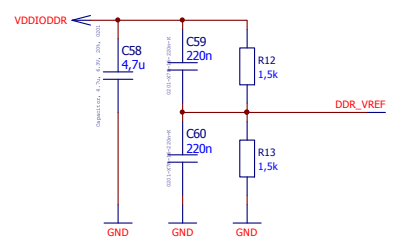
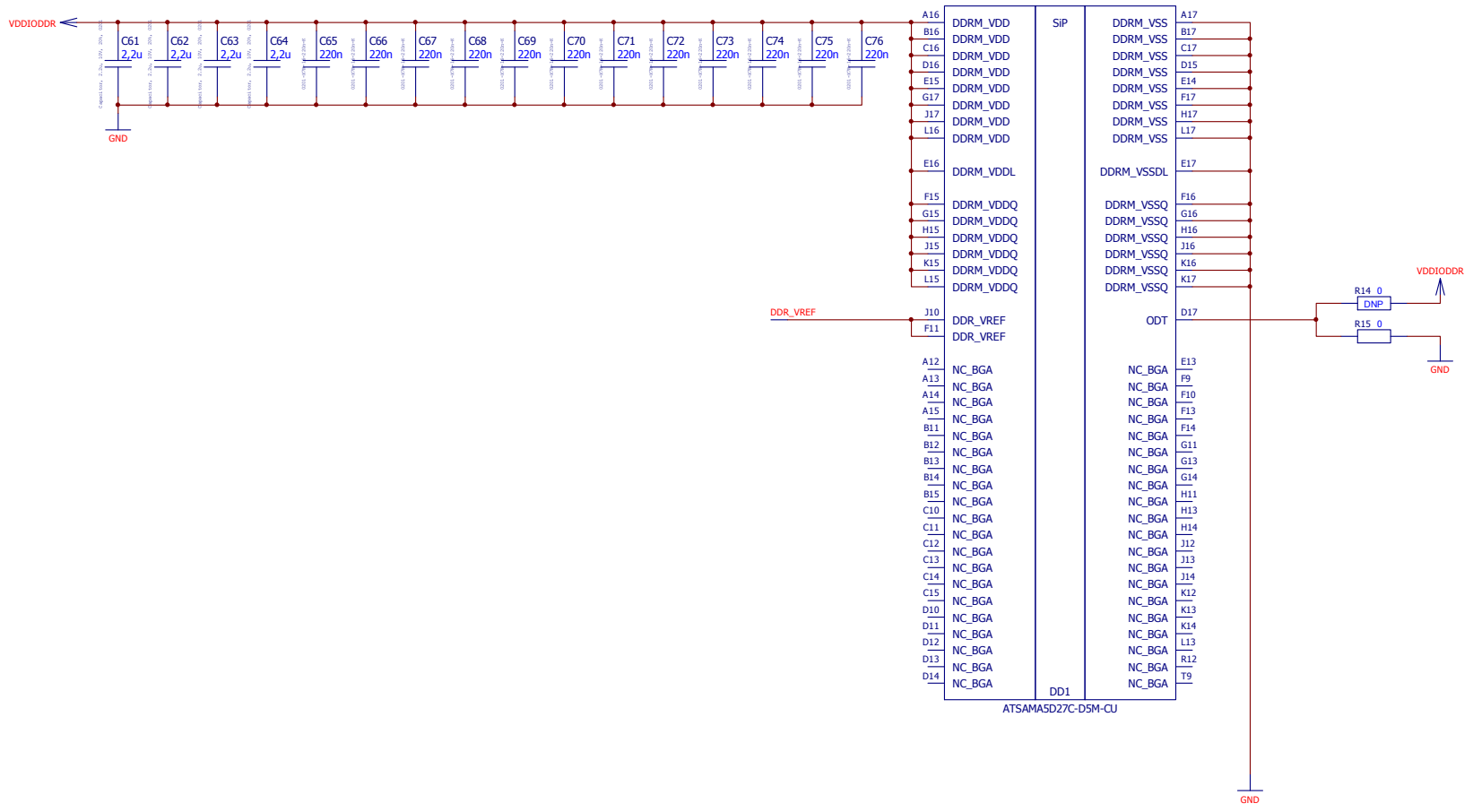
6 5 4 3 2 1



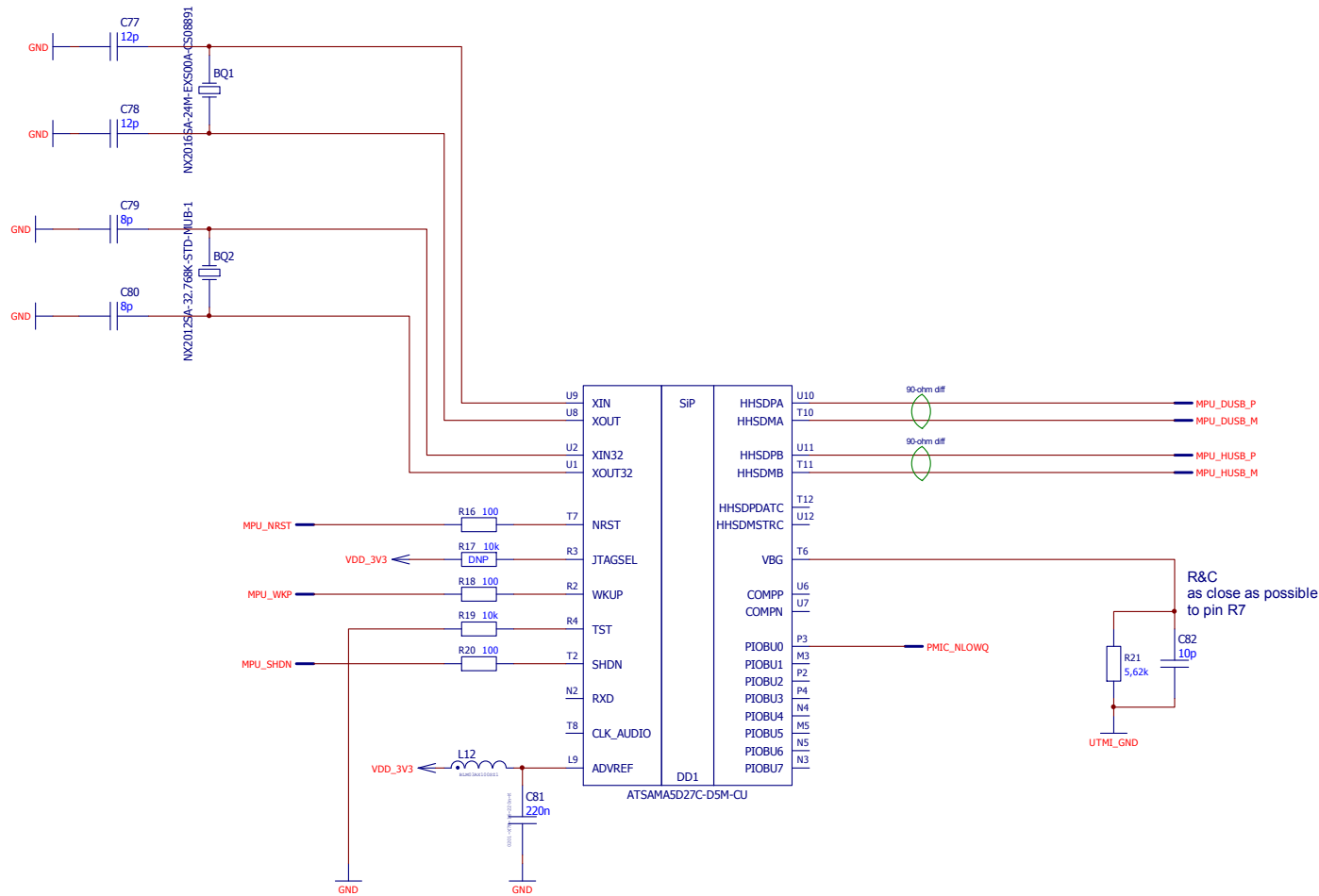
D					Title Power
C					
B					
A	DABE		DABE		
rev.	drawn	sign	checked	sign	
Size A4	PCB Name Hane-SOM v1.1			DOC Number 001.20200105.00	
Date: 26.02.20				Page 2 of 07	



D	PCB Name				Title MPU power
C					
B					
A	DABE		DABE		
rev.	drawn	sign	checked	sign	
Size A4	PCB Name Hane-SOM v1.1			DOC Number 001.20200105.00	
Date: 26.02.20				Page 3 of 07	



D	PCB Name				Title MPU DDR2 power
C					
B					
A	DABE		DABE		
rev.	drawn	sign	checked	sign	
Size A4	PCB Name Hane-SOM v1.1			DOC Number 001.20200105.00	
Date: 26.02.20				Page 4 of 07	



D	PCB Name				Title MPU system
C					
B					
A	DABE		DABE		
rev.	drawn	sign	checked	sign	
Size A4	PCB Name Hane-SOM v1.1			DOC Number 001.20200105.00	
Date: 26.02.20				Page 5 of 07	

		6	5	4	3	2	1
		U13	PA0/SDMMCO_CK/QSP10_SCK/D0	*2C	SIP		
		N7	PA1/SDMMCO_CMD/QSP10_CS/D1	*2C			
		U14	PA2/SDMMCO_DAT0/QSP10_I00/D2	*2C			
		T13	PA3/SDMMCO_DAT1/QSP10_I01/D3	*2C			
		U15	PA4/SDMMCO_DAT2/QSP10_I02/D4	*2C			
		U16	PA5/SDMMCO_DAT3/QSP10_I03/D5	*2C			
		U17	PA6/SDMMCO_DAT4/QSP11_SCK/TIOA5/FLEXCOM2_I00/D6	*2C			
		R11	PA7/SDMMCO_DAT5/QSP11_I00/TIOB5/FLEXCOM2_I01/D7	*2C			
		R9	PA8/SDMMCO_DAT6/QSP11_I01/TCLK5/FLEXCOM2_I02/NWNE/NANDWE	*2C			
		P8	PA9/SDMMCO_DAT7/QSP11_I02/TIOA4/FLEXCOM2_I03/NC53	*2C			
		R10	PA10/SDMMCO_RSTN/QSP11_I03/TIOB4/FLEXCOM2_I04/A21/NANDALE	*2C			
		P15	PA11/SDMMCO_1V8SEL/QSP11_CS/TCLK4/A22/NANDCLE	*2C			
		N17	PA12/SDMMCO_WP/IRQ/NRD/NANDOE	*2C			
		P16	PA13/SDMMCO_CD/FLEXCOM3_I01/D8	*2C			
		M17	PA14/SPI0_SPCK/TK1/QSP10_SCK/I25C1_MCK/FLEXCOM3_I02/D9				
		N16	PA15/SPI0_MOSI/TF1/QSP10_CS/I25C1_CK/FLEXCOM3_I00/D10				
		M11	PA16/SPI0_MISO/TD1/QSP10_I00/I25C1_WS/FLEXCOM3_I03/D11				
		N14	PA17/SPI0_NPCS0/RD1/QSP10_I01/I25C1_D10/FLEXCOM3_I04/D12				
		T16	PA18/SPI0_NPCS1/RK1/QSP10_I02/I25C1_D00/SDMMCO_DAT0/D13				
		T15	PA19/SPI0_NPCS2/RF1/QSP10_I03/TIOA0/SDMMCO_DAT1/D14				
		P9	PA20/SPI0_NPCS3/TIOB0/SDMMCO_DAT2/D15				
		P10	PA21/IRQ/PCK2/TCLK0/SDMMCO_DAT3/NANDRDY				
		T17	PA22/FLEXCOM1_I02/D0/TCK/SPI1_SPCK/SDMMCO_CK/QSP10_SCK				
		T14	PA23/FLEXCOM1_I01/D1/TD1/SPI1_MOSI/QSP10_CS				
		R17	PA24/FLEXCOM1_I00/D2/TDO/SPI1_MISO/QSP10_I00				
		R16	PA25/FLEXCOM1_I03/D3/TMS/SPI1_NPCS0/QSP10_I01				
		P17	PA26/FLEXCOM1_I04/D4/NTRST/SPI1_NPCS1/QSP10_I02				
		R15	PA27/TIOA1/D5/SPI0_NPCS2/SPI1_NPCS2/SDMMCO_RSTN/QSP10_I03				
		R14	PA28/TIOB1/D6/SPI0_NPCS3/SPI1_NPCS3/SDMMCO_CMD/CLASSD_L0				
		P14	PA29/TCLK1/D7/SPI0_NPCS1/SDMMCO_WP/CLASSD_L1				
		R13	PA30/NWNE/NANDWE/SPI0_NPCS0/PWMH0/SDMMCO_CD/CLASSD_L2				
		P13	PA31/NC53/SPI0_MISO/PWML0/CLASSD_L3				
					DD1		

ATSAMA527C-D5M-CU

		6	5	4	3	2	1
		F5	PB0/A21/NANDALE/SPI0_MOSI/PWMH1		SIP		
		C8	PB1/A22/NANDCLE/SPI0_SPCK/PWML1/CLASSD_R0				
		C7	PB2/NRD/NANDOE/PWMF0/CLASSD_R1				
		B8	PB3/URXD4/D8/IRQ/PWMEXTRG1/CLASSD_R2				
		B7	PB4/UTXD4/D9/FIQ/CLASSD_R3				
		A10	PB5/TCLK2/D10/PWMH2/QSP11_SCK/GTSUCOMP				
		A9	PB6/TIOA2/D11/PWML2/QSP11_CS/GTXEN				
		D5	PB7/TIOB2/D12/PWMH3/QSP11_I00/GRXCK				
		E5	PB8/TCLK3/D13/PWML3/QSP11_I01/GCRS				
		C6	PB9/TIOA3/D14/PWMF1/QSP11_I02/GCOL				
		AB	PB10/TIOB3/D15/PWMEXTRG2/QSP11_I03/GRX2				
		A7	PB11/LCDDAT0/A0/NB50/URXD3/PDMIC_DAT/GRX3			*2C	
		B6	PB12/LCDDAT1/A1/UTXD3/PDMIC_CLK/GTX2			*2C	
		C5	PB13/LCDDAT2/A2/PCK1/GTX3			*2C	
		A6	PB14/LCDDAT3/A3/TK1/I25C1_MCK/QSP11_SCK/GTXCK			*2C	
		E4	PB15/LCDDAT4/A4/TF1/I25C1_CK/QSP11_CS/GTXEN			*2C	
		B5	PB16/LCDDAT5/A5/TD1/I25C1_WS/QSP11_I00/GRXDV			*2C	
		C4	PB17/LCDDAT6/A6/RD1/I25C1_D10/QSP11_I01/GRXER			*2C	
		A5	PB18/LCDDAT7/A7/RK1/I25C1_D00/QSP11_I02/GRX01			*2C	
		B4	PB19/LCDDAT8/A8/RF1/TIOA3/QSP11_I03/GRX1			*2C	
		A4	PB20/LCDDAT9/A9/TK0/TIOB3/PCK1/GTX0			*2C	
		D3	PB21/LCDDAT10/A10/TF0/TCLK3/FLEXCOM3_I02/GTX1			*2C	
		C3	PB22/LCDDAT11/A11/TD0/TIOA2/FLEXCOM3_I01/GMDC			*2C	
		B3	PB23/LCDDAT12/A12/RD0/TIOB2/FLEXCOM3_I00/GMDIO			*2C	
		E2	PB24/LCDDAT13/A13/RK0/TCLK2/FLEXCOM3_I03/ISC_D10			*2C	
		A3	PB25/LCDDAT14/A14/RF0/FLEXCOM3_I04/ISC_D11			*2C	
		G3	PB26/LCDDAT15/A15/URXD0/PDMIC_DAT/ISC_D0			*2C	
		F4	PB27/LCDDAT16/A16/UTXD0/PDMIC_CLK/ISC_D1			*2C	
		D2	PB28/LCDDAT17/A17/FLEXCOM0_I00/TIOA5/ISC_D2			*2C	
		G8	PB29/LCDDAT18/A18/FLEXCOM0_I01/TIOB5/ISC_D3				
		C2	PB30/LCDDAT19/A19/FLEXCOM0_I02/TCLK5/ISC_D4				
		G7	PB31/LCDDAT20/A20/FLEXCOM0_I03/TW00/ISC_D5				
					DD1		

ATSAMA527C-D5M-CU

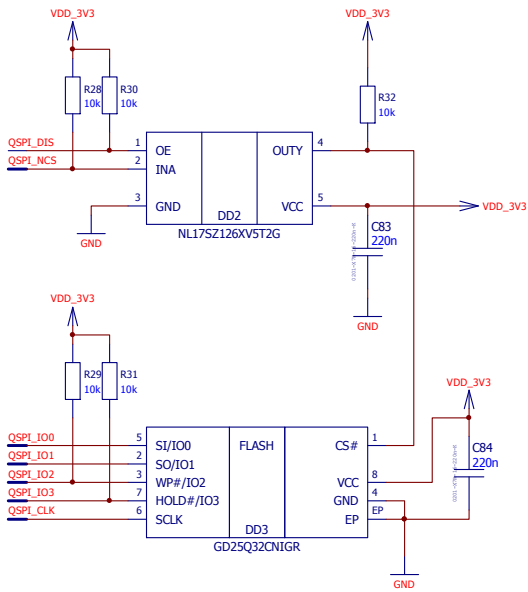
		6	5	4	3	2	1
		N10	PC0/LCDDAT21/A23/FLEXCOM0_I04/TWCK0/ISC_D6	*2C	SIP		
		N11	PC1/LCDDAT22/A24/CANTX0/SPI1_SPCK/I25C0_CK/ISC_D7	*2C			
		N9	PC2/LCDDAT23/A25/CANRX0/SPI1_MOSI/I25C0_MCK/ISC_D8	*2C			
		M10	PC3/LCDPWM/NWAIT/TIOA1/SPI1_MISO/I25C0_WS/ISC_D9	*2C			
		N15	PC4/LCDDISP/NWR1/NBS1/TIOB1/SPI1_NPCS0/I25C0_D10/ISC_PCK				
		M16	PC5/LCDVSYNC/NC50/TCLK1/SPI1_NPCS1/I25C0_D00/ISC_VSYNC				
		L11	PC6/LCDHSYNC/NC51/TW01/SPI1_NPCS2/ISC_HSYNC	*2C			
		M15	PC7/LCDPCK/NC52/TWCK1/SPI1_NPCS3/URXD1/ISC_MCK	*2C			
		M13	PC8/LCDDEN/NANDRDY/FIQ/PCK0/UTXD1/ISC_FIELD	*2C			
		B2	PC9/FIQ/GTSUCOMP/ISC_D0/TIOA4	*2C			
		G4	PC10/LCDDAT2/GTXCK/ISC_D1/TIOB4/CANTX0	*2C			
		A2	PC11/LCDDAT3/GTXEN/ISC_D2/TCLK4/CANRX0/A0/NBS0	*2C			
		A1	PC12/LCDDAT4/GRXDV/ISC_D3/URXD3/TK0/A1	*2C			
		B1	PC13/LCDDAT5/GRXER/ISC_D4/UTXD3/TF0/A2	*2C			
		G5	PC14/LCDDAT6/GRX0/ISC_D5/TD0/A3	*2C			
		G2	PC15/LCDDAT7/GRX1/ISC_D6/RD0/A4	*2C			
		G6	PC16/LCDDAT10/GTX0/ISC_D7/RK0/A5	*2C			
		C1	PC17/LCDDAT11/GTX1/ISC_D8/RF0/A6	*2C			
		G9	PC18/LCDDAT12/GMDC/ISC_D9/FLEXCOM3_I02/A7	*2C			
		D1	PC19/LCDDAT13/GMDIO/ISC_D10/FLEXCOM3_I01/A8	*2C			
		H4	PC20/LCDDAT14/GRXCK/ISC_D11/FLEXCOM3_I00/A9	*2C			
		E1	PC21/LCDDAT15/GTXER/ISC_PCK/FLEXCOM3_I03/A10	*2C			
		F1	PC22/LCDDAT18/GCRS/ISC_VSYNC/FLEXCOM3_I04/A11	*2C			
		H9	PC23/LCDDAT19/GCOL/ISC_HSYNC/A12	*2C			
		G1	PC24/LCDDAT20/GRX2/ISC_MCK/A13	*2C			
		H8	PC25/LCDDAT21/GRX3/ISC_FIELD/A14	*2C			
		F7	PC26/LCDDAT22/GTX2/CANTX1/A15	*2C			
		B10	PC27/LCDDAT23/GTX3/PCK1/CANRX1/TW00/A16	*2C			
		F6	PC28/LCDPWM/FLEXCOM4_I00/PCK2/TWCK0/A17				
		B9	PC29/LCDDISP/FLEXCOM4_I01/A18				
		E6	PC30/LCDVSYNC/FLEXCOM4_I02/A19				
		A11	PC31/LCDHSYNC/FLEXCOM4_I03/URXD3/A20				
					DD1		

ATSAMA527C-D5M-CU

		6	5	4	3	2	1
		E7	PD0/LCDPCK/FLEXCOM4_I04/UTXD3/GTSUCOMP/A23		SIP		
		C9	PD1/LCDDEN/GRXCK/A24				
		D8	PD2/URXD1/GTXER/ISC_MCK/A25	*2C			
		J1	PD3/PTC_X0/UTXD1/FIQ/GCRS/ISC_D11/NWAIT	*2C			
		H7	PD4/PTC_X1/TW01/URXD2/GCOL/ISC_D10/NC50				
		H1	PD5/PTC_X2/TWCK1/UTXD2/GRX2/ISC_D9/NC51				
		J2	PD6/PTC_X3/TCK/PCK1/GRX3/ISC_D8/NC52				
		H6	PD7/PTC_X4/TD1/UTM1_RXVAL/GTX2/ISC_D0/NWR1/NBS1				
		K3	PD8/PTC_X5/TD0/UTM1_RXERR/GTX3/ISC_D1/NANDRDY				
		J4	PD9/PTC_X6/TMS/UTM1_RXACT/GTXCK/ISC_D2				
		J3	PD10/PTC_X7/NTRST/UTM1_HDIS/GTXEN/ISC_D3				
		K2	PD11/PTC_Y0/TIOA1/PCK2/UTM1_L50/GRXDV/ISC_D4/ISC_MCK				
		K9	PD12/PTC_Y1/TIOB1/FLEXCOM4_I00/UTM1_L51/GRXER/ISC_D5/ISC_D4				
		N1	PD13/PTC_Y2/TCLK1/FLEXCOM4_I01/UTM1_CDRCPSEL0/GRX0/ISC_D6/ISC_D5				
		K5	PD14/PTC_Y3/TCK/FLEXCOM4_I02/UTM1_CDRCPSEL1/GRX1/ISC_D7/ISC_D6	*2C			
		K8	PD15/PTC_Y4/TD1/FLEXCOM4_I03/UTM1_CDRCPSEL2/GTX0/ISC_PCK/ISC_D7	*2C			
		L1	PD16/PTC_Y5/TD0/FLEXCOM4_I04/UTM1_CDRBISTEN/GTX1/ISC_VSYNC/ISC_D8	*2C			
		K1	PD17/PTC_Y6/TMS/UTM1_CDRCPSEL3/GMDC/ISC_HSYNC/ISC_D9	*2C			
		J7	PD18/PTC_Y7/NTRST/GMDIO/ISC_FIELD/ISC_D10	*2C			
		L8	PD19/AD0/PCK0/TW01/URXD2/I25C0_CK/ISC_D11				
		L2	PD20/AD1/TIOA2/TWCK1/UTXD2/I25C0_MCK/ISC_PCK				
		P1	PD21/AD2/TIOB2/TW00/FLEXCOM4_I00/I25C0_WS/ISC_VSYNC	*2C			
		L6	PD22/AD3/TCLK2/TWCK0/FLEXCOM4_I01/I25C0_D10/ISC_HSYNC	*2C			
		T1	PD23/AD4/URXD2/FLEXCOM4_I02/I25C0_D00/ISC_FIELD				
		L4	PD24/AD5/UTXD2/FLEXCOM4_I03				
		L5	PD25/AD6/SPI1_SPCK/FLEXCOM4_I00				
		R1	PD26/AD7/SPI1_MOSI/FLEXCOM2_I00				
		L7	PD27/AD8/SPI1_MISO/TCK/FLEXCOM2_I01				
		L3	PD28/AD9/SPI1_NPCS0/TD1/FLEXCOM2_I02				
		M2	PD29/AD10/SPI1_NPCS1/TD0/FLEXCOM2_I03/TIOA3/TW00				
		M9	PD30/AD11/SPI1_NPCS2/TMS/FLEXCOM2_I04/TIOB3/TWCK0				
		MB	PD31/ADTRG/NTRST/IRQ/TCLK3/PCK0				
					DD1		

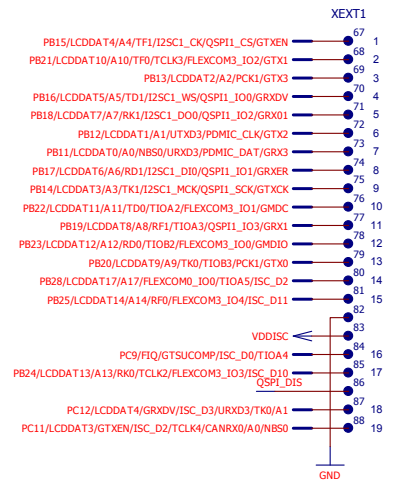
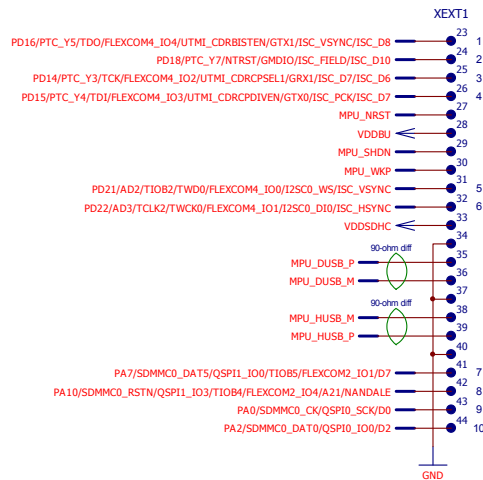
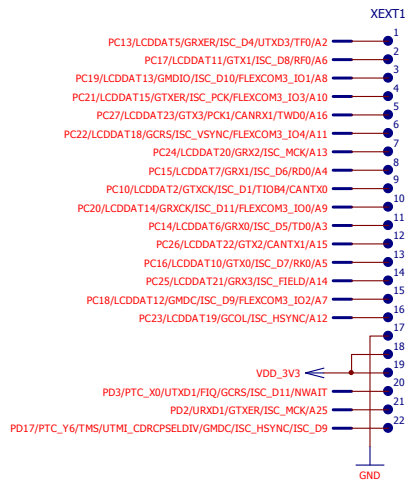
ATSAMA527C-D5M-CU

D	PCB Name					Title	
C						MPU I/O	
B							
A	DABE		DABE				
rev.	drawn	sign	checked	sign			
Size A4	PCB Name Hane-SOM v1.1				DOC Number 001.20200105.00		
Date: 26.02.20					Page 6 of 07		



Pins

Total - 88
 GPIO per side = 20 (x3) + 12 (x1)
 GPIO total = 69



D					Title
C					External I/O
B					
A	DABE		DABE		
rev.	drawn	sign	checked	sign	
Size A4	PCB Name Hane-SOM v1.1				DOC Number 001.20200105.00
Date: 26.02.20					Page 7 of 07