

VGA board BK-1

The VGA board BK-1 is designed for displaying graphic information on the display. Graphic mode 256x128 pixels. 256 colors. Parallel data transfer interface. Prepared for connecting Arduino nano or other microcontrollers.

Pin description VGA board BK-1

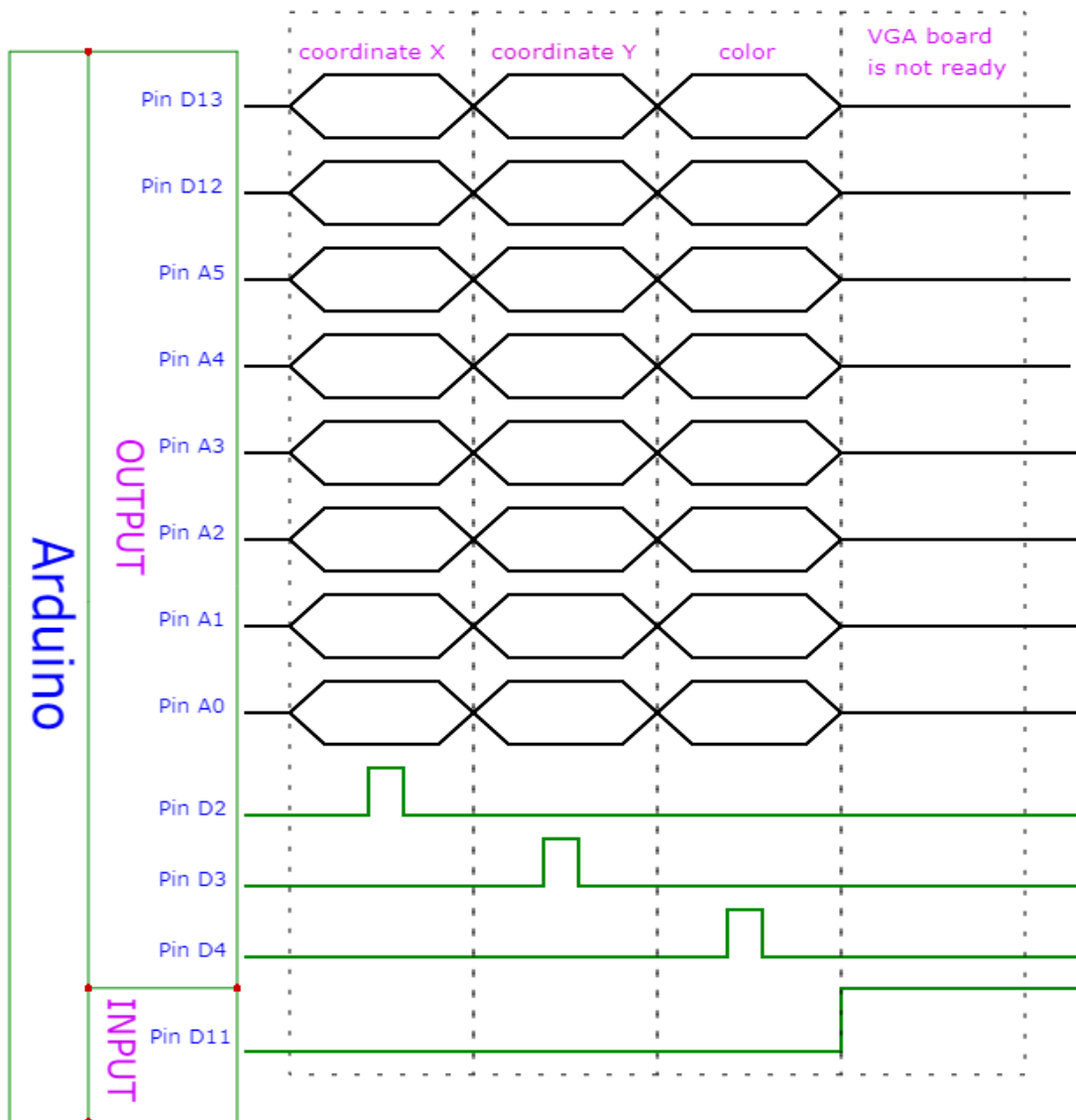
Symbol	Pin	Description
D0, D1, D2, D3, D4, D5, D6, D7	A0, A1, A2, A3, A4, A5, D12, D13	Data input
C1	D2	Save Coordinate X
C2	D3	Save Coordinate Y
C3	D4	Save Color
Ready	D11	Board is busy
GND	GND	Ground(0V)
Vcc	5V	Supply voltage

Functional description VGA board BK-1

Operating modes	input				Output
	C1	C2	C3	Dn	Ready
Save Coordinate X	H	L	L	L	L
	H	L	L	H	L
Save Coordinate Y	L	H	L	L	L
	L	H	L	H	L
Save Color	L	L	H	L	L
	L	L	H	H	L
the board is busy*	X	X	X	X	H

*you can transfer data, but "artifacts" will appear during the transfer process. Which is visually unpleasant, but loading the frame will be faster.

Waveforms of write cycle point



color format

	blue	blue	green	green	green	red	red	red
byte	7	6	5	4	3	2	1	0