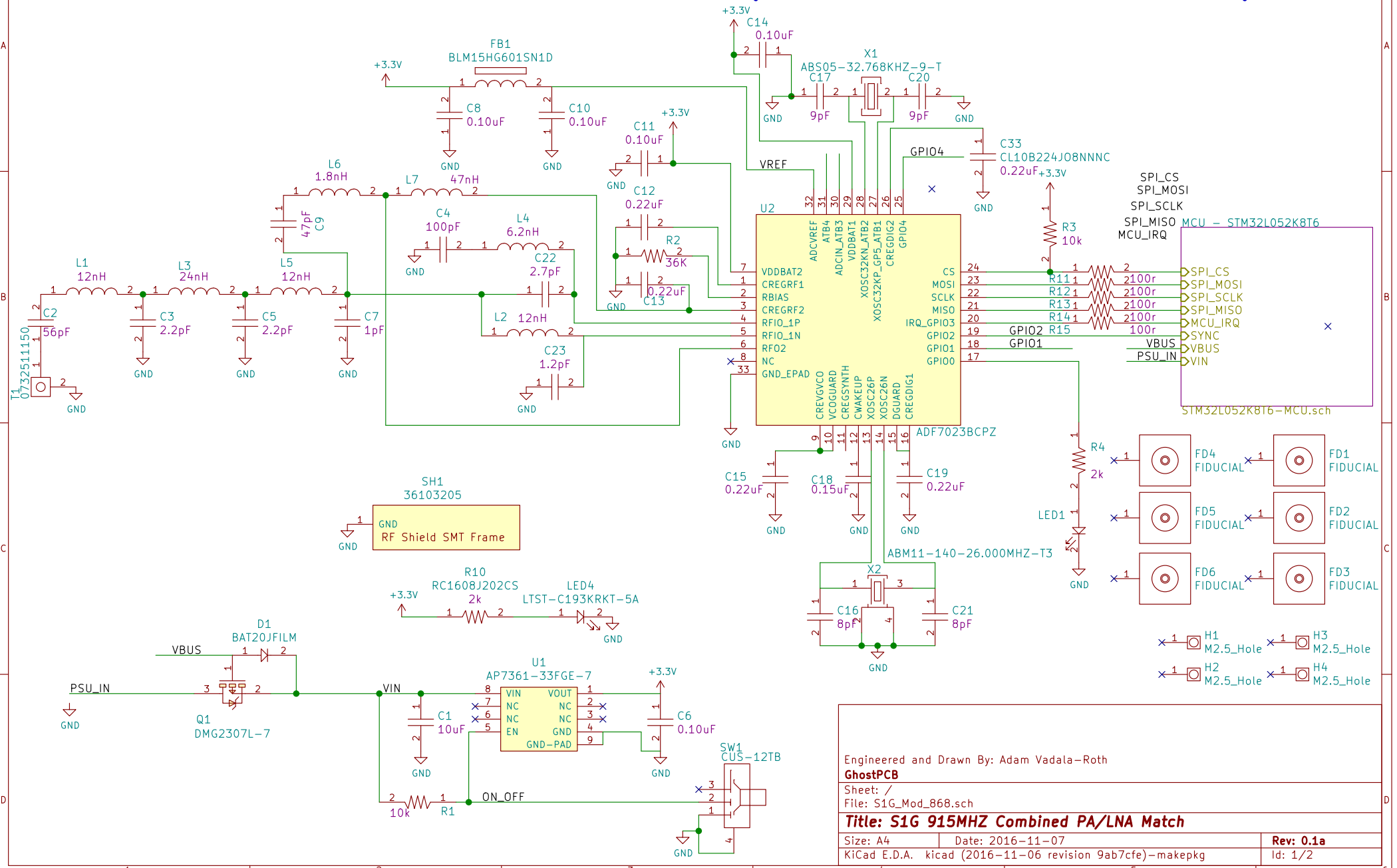
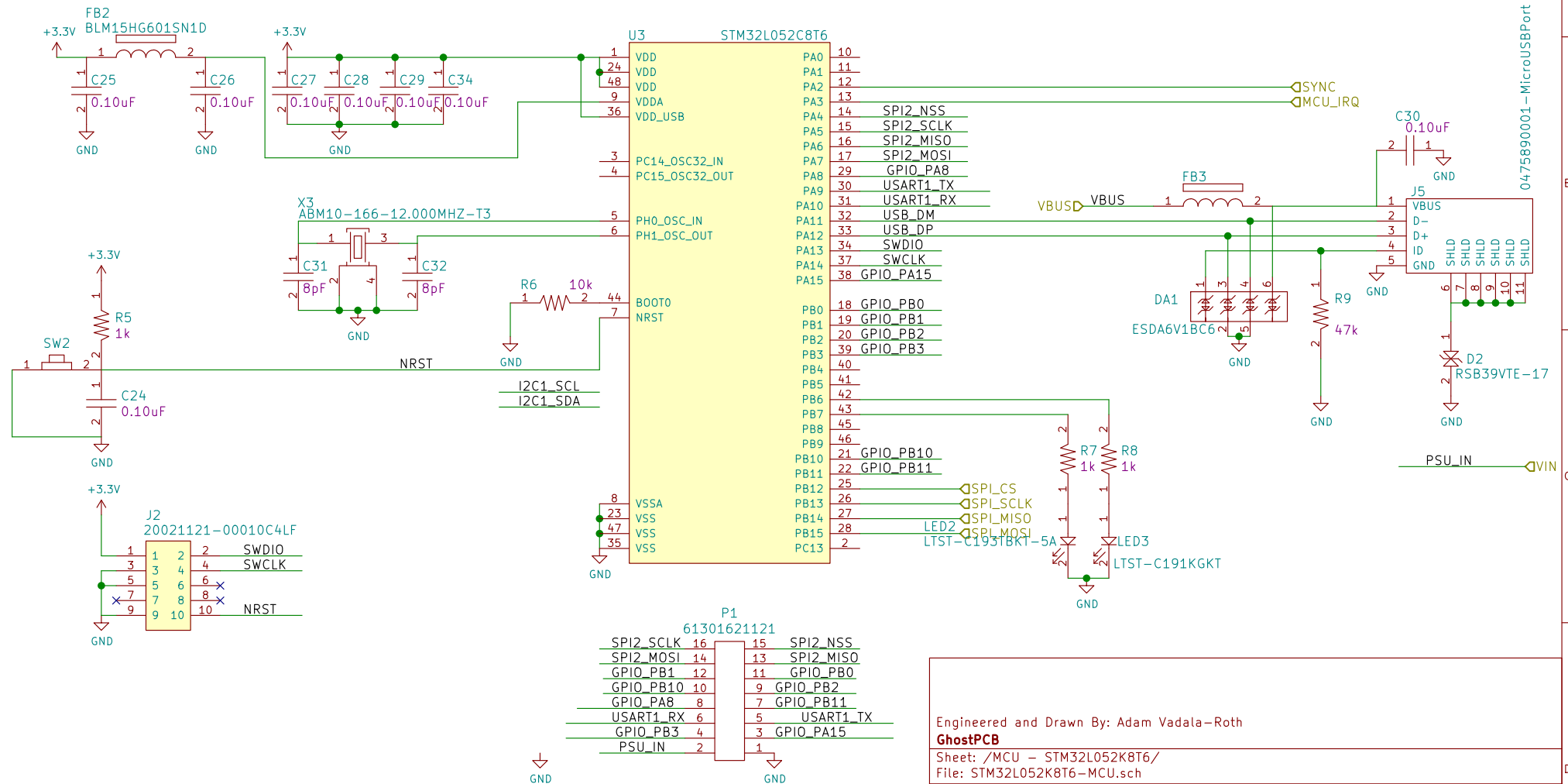


S1G-Mod 915MHZ Sub 1GHZ RF RX/TX Module Combined PA/LNA



Engineered and Drawn By: Adam Vadala-Roth
GhostPCB
 Sheet: /
 File: S1G_Mod_868.sch
Title: S1G 915MHz Combined PA/LNA Match
 Size: A4 Date: 2016-11-07 Rev: 0.1a
 KiCad E.D.A. kicad (2016-11-06 revision 9ab7cfe)-makepkg Id: 1/2

STM32L052C8T6 – MCU for COMs and Configuration



Engineered and Drawn By: Adam Vadala-Roth

GhostPCB

Sheet: /MCU - STM32L052K8T6/

File: STM32L052K8T6-MCU.sch

Title: STM32L052C8T6 – MCU for COMS/Config

Size: A4 Date: 2016-11-07

KiCad E.D.A. kicad (2016-11-06 revision 9ab7cfe)-makepkg

Rev: 0.1a

Id: 2/2