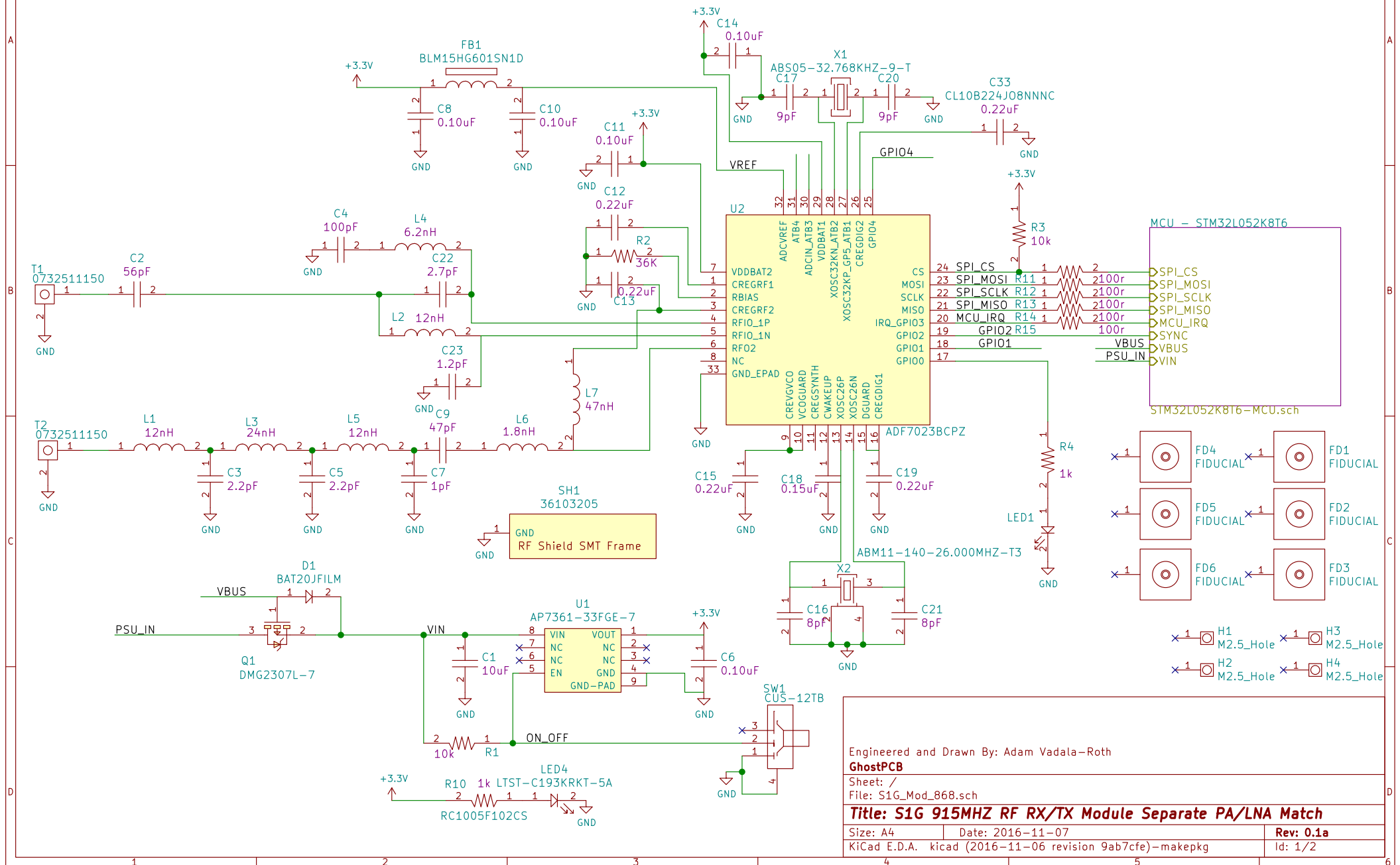
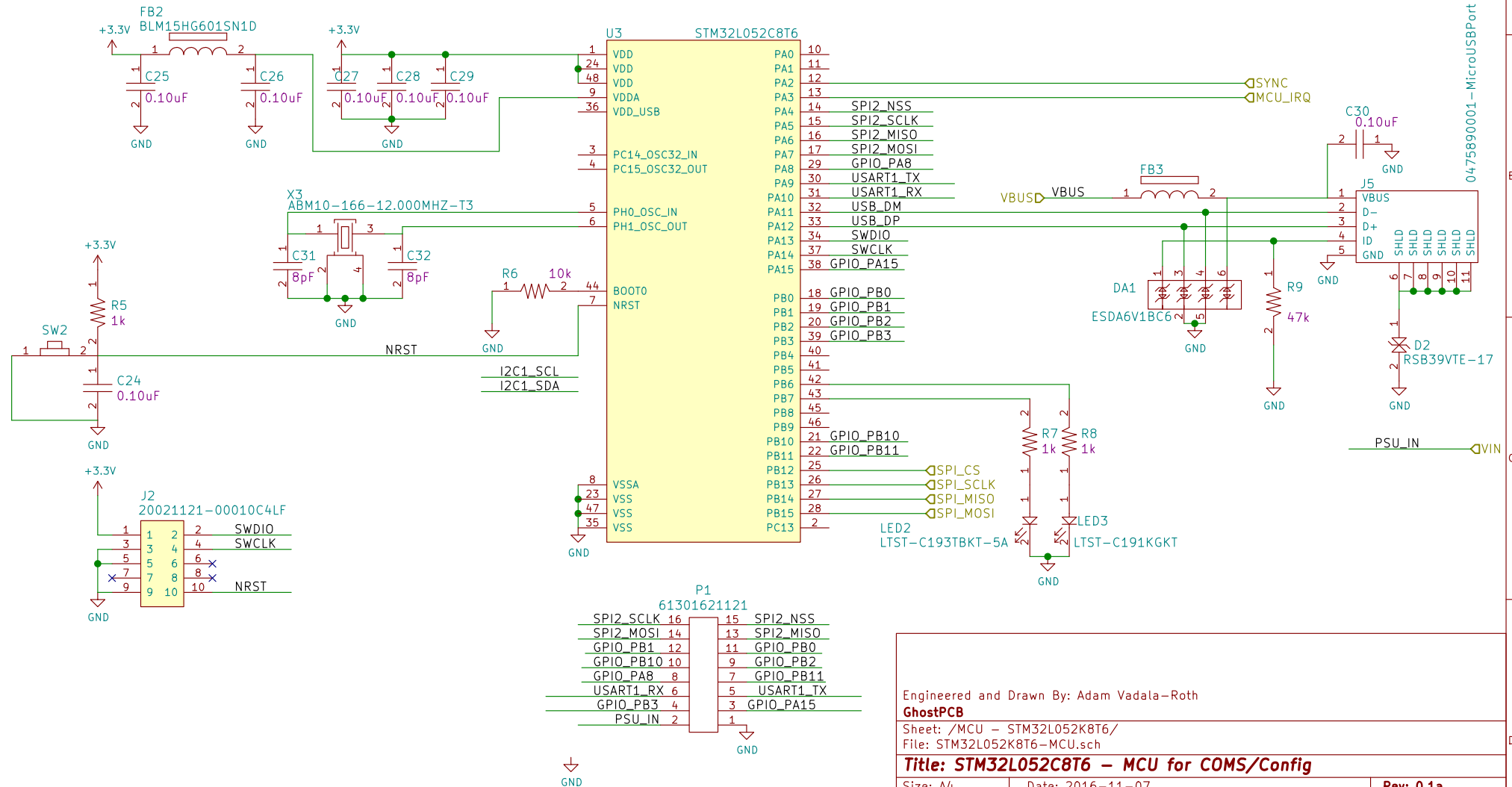


S1G-RF 915MHZ Sub 1GHZ RF Radio Separate PA & LNA Match



Engineered and Drawn By: Adam Vadala-Roth	
GhostPCB	
Sheet: /	
File: S1G_Mod_868.sch	
Title: S1G 915MHZ RF RX/TX Module Separate PA/LNA Match	
Size: A4	Date: 2016-11-07
KiCad E.D.A. kicad (2016-11-06 revision 9ab7cfe)-makepkg	Rev: 0.1a
	Id: 1/2

STM32L052C8T6 – MCU for COMs and Configuration



Engineered and Drawn By: Adam Vadala-Roth		
GhostPCB		
Sheet: /MCU - STM32L052K8T6/		
File: STM32L052K8T6-MCU.sch		
Title: STM32L052C8T6 – MCU for COMS/Config		
Size: A4	Date: 2016-11-07	Rev: 0.1a
KiCad E.D.A. kicad (2016-11-06 revision 9ab7cfe)-makepkg		Id: 2/2